

**INSTALLATION INSTRUCTIONS**

**WALL SLOT 2000, L20**

FIXTURE TYPE \_\_\_\_\_

P/C **510258-5000**

PG. 1 OF 2

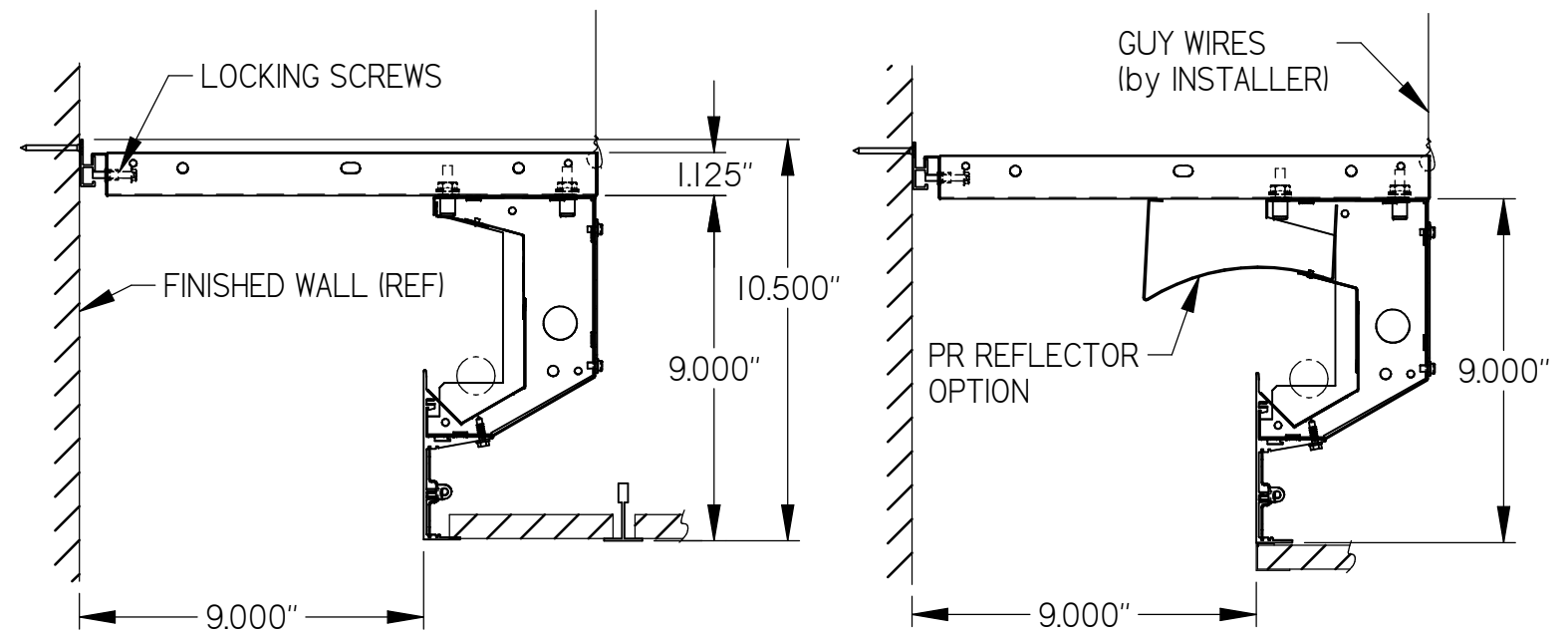
DO NOT MODIFY OR ALTER THIS PRODUCT IN ANY WAY, OR INSTALL IN ANY FASHION WHICH IS CONTRARY TO THE INSTRUCTIONS CONTAINED HEREIN. IF YOU HAVE ANY QUESTIONS REGARDING THIS PRODUCT OR THE INSTALLATION OF IT, PLEASE CALL LITECONTROL ENGINEERING AT 781-294-0100.

**GENERAL NOTES:**

- A) FIXTURES MUST BE INSTALLED PRIOR TO HANGING CEILING.
- B) WALL SURFACE MUST BE FINISHED A MINIMUM OF 11" ABOVE CEILING LINE.
- C) ALL SUPPORT RAILS (SHIPPED SEPARATELY) MUST BE INSTALLED PRIOR TO MOUNTING FIXTURES: REFER TO INSTRUCTION SHEET 510573.

**INSTRUCTIONS:**

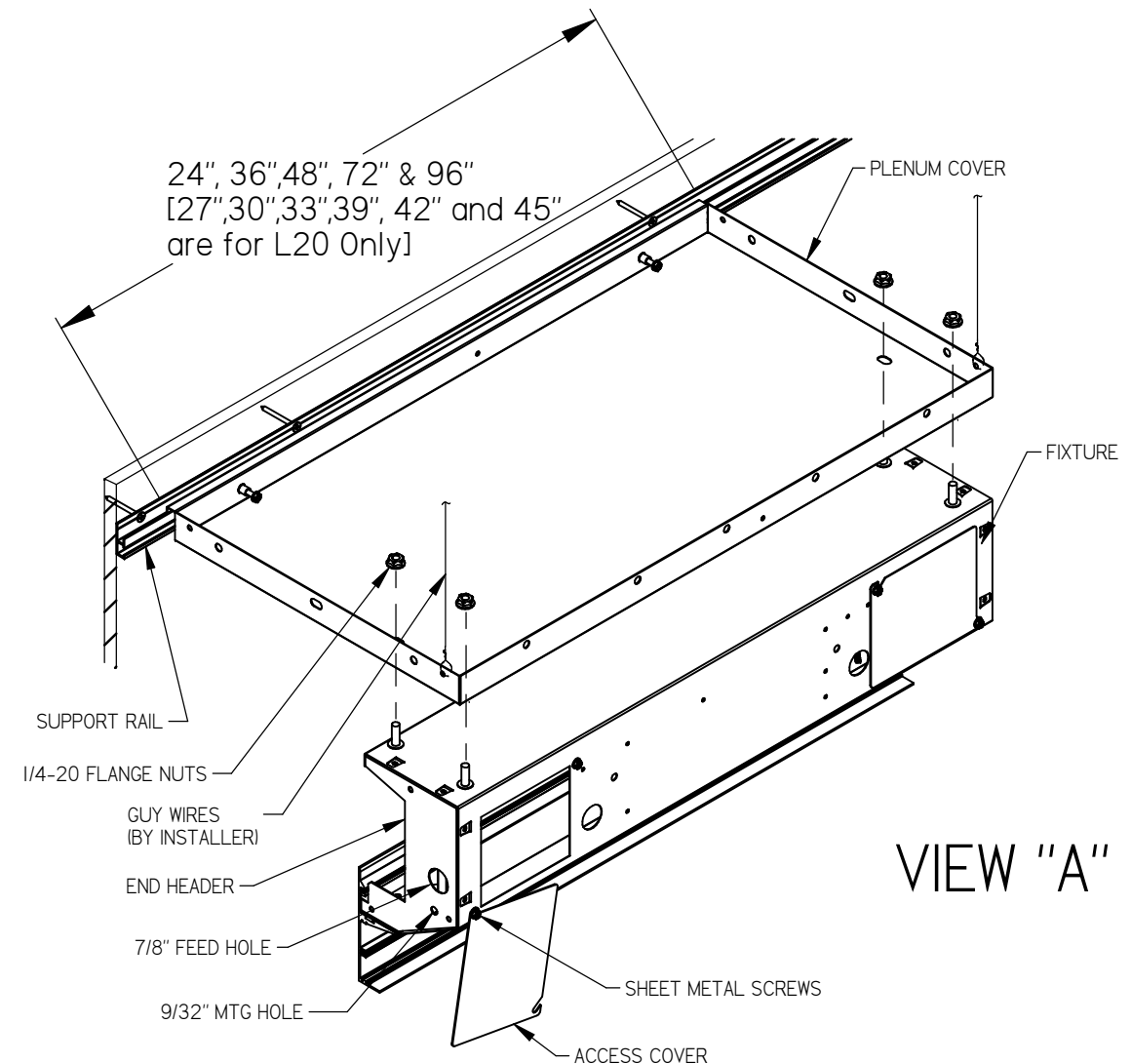
1. WIRE FEED MAY BE BROUGHT INTO FIXTURE THRU 7/8" HOLE AT EITHER END OR THRU THE 7/8" KO'S IN BACK OF HOUSING: IF FEEDING INTO BACK SURFACE, PEEL BACK FOAM WRAP PACKAGING AND REMOVE A 7/8" KO WHILE FIXTURE IS IN CARTONING TO PREVENT DAMAGE TO FINISH.
2. REMOVE FIXTURE FROM CARTONING AND MOUNT TO ITS EQUAL LENGTH PLENUM COVER WITH THE 1/4-20 FLANGE NUTS FOUND IN POLYBAG SHIPPED WITH FIXTURE: SEE VIEW "A"
3. LIFT THIS ASSEMBLY ONTO THE SUPPORT RAIL AND ATTACH GUY WIRES FROM OVERHEAD CEILING STRUCTURE AND LEVEL. SCREW IN SCREWS AS SHOWN TO LOCK FIXTURE IN SUPPORT RAIL.
4. LOOSEN THE ACCESS COVER SCREWS AT EACH END OF THE FIXTURE AND ROTATE COVER DOWNWARD.
5. REPEAT STEPS 2, 3, AND 4 FOR EACH ADDITIONAL FIXTURE IN ROW.
6. BOLT FIXTURES TOGETHER IN ROW WITH (4) 1/4-20 SCREWS AND NUTS (FOUND IN POLYBAG) USING (2) OF THESE SCREWS AND NUTS, LOOSELY ATTACH BOTH PLENUM COVERS TOGETHER AT JOINT: THEN USING THE REMAINING SCREW AND NUT, BOLT THRU BOTH FIXTURE END HEADERS. USE ACCESS OPENINGS TO GET AT END HEADER BOLTING AND USE THE 9/32" HOLE DIRECTLY BELOW THE 7/8" HOLE TO BOLT THRU: SEE VIEW "B" ON PAGE 2.
7. ALIGN CEILING TRIM EXTRUSIONS AT JOINT WITH THE SPLINE (SHIPPED IN TRIM). SLIDE SPLINE FROM ONE EXTRUSION INTO THE OTHER: CENTER THE SPLINE OVER THE JOINT AND FASTEN TO EXTRUSIONS WITH (4) 1/4" LONG SHEET METAL SCREWS FOUND IN POLYBAG. MAKE SURE TRIMS ARE UP AGAINST EACH OTHER BEFORE FASTENING SEE VIEW "B" ON PAGE 2.
8. REPEAT STEPS 6 AND 7 FOR EACH FIXTURE IN ROW. TIGHTEN ALL ROW MOUNTING SCREWS AND MAKE WIRING CONNECTIONS: WIRE FEED MAY BE BROUGHT INTO ADJACENT FIXTURES THRU 7/8" HOLES IN END HEADERS.
9. THE FOLLOWING ACCESSORIES KITS (SHIPPED SEPARATELY) ARE INSTALLED AT THIS TIME AND IN THIS ORDER.
  - A. ALL STRAIGHT EXTENSIONS, 90 & 135 DEGREE CORNERS.
  - B. PLENUM END CAPS
10. REPLACE ALL ACCESS COVERS AND TIGHTEN SCREWS. INSTALL ALL LAMPS (BY OTHERS). CLEAN EXPOSED FIXTURE SURFACES WITH A GENERAL WINDOW CLEANER.



Exposed T-Bar Ceiling

Drywall or Plaster Ceiling

Refer to Wallsot 2000 Pre-Installation Manual for ceiling interface



VIEW "A"

INSTALLATION  
INSTRUCTIONS

WALL SLOT 2000, L20

FIXTURE TYPE \_\_\_\_\_

P/C 510258-5000

PG. 2 OF 2

DO NOT MODIFY OR ALTER THIS PRODUCT IN ANY WAY, OR INSTALL IN ANY FASHION WHICH IS CONTRARY TO THE INSTRUCTIONS CONTAINED HEREIN. IF YOU HAVE ANY QUESTIONS REGARDING THIS PRODUCT OR THE INSTALLATION OF IT, PLEASE CALL LITECONTROL ENGINEERING AT 781-294-0100.

