

### Lighting the way to Safety



LED Nightlight Devices Provide  
Light Without Wasting Energy



- ✓ LED Illumination for Energy Efficiency
- ✓ Designed with Safety in Mind
- ✓ Automatically Turns ON and OFF

Bryant's nightlight family of products from Bryant combine the function of a wiring device with the convenience of a nightlight. Designed to provide a guiding light, these devices are energy efficient, consuming between 0.5-1 watt. Available in duplex tamper resistant receptacles, decorator switches and decorator nightlight, there is a device for every application.

Nightlight wiring devices can be used in many commercial and residential applications as an alternative to plug-in nightlights. These products are designed for permanent installation and equipped with a photo cell to automatically turn on and off depending on the amount of ambient light present. Everyday plug-in nightlights are bulky, easily damaged, and occupy outlets that may be needed. Bryant offers nightlight devices in a compact and aesthetically pleasing decorator receptacle, switch or nightlight.

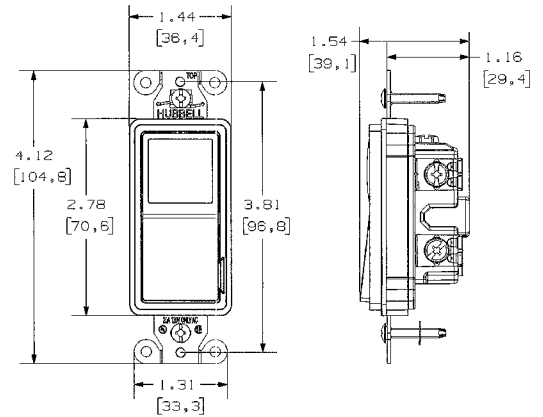
## Ordering Information

### Nightlight Decorator Switches

- LED 0.5 Lumen Nightlight with Polycarbonate Lens
- Impact Resistant Thermoplastic Rocker and Base
- Large Illuminated Area



Description	Single Pole 20A, 120/277V AC
Ivory	<b>9901NLI</b>
Light Almond	<b>9901NLLA</b>
White	<b>9901NLW</b>

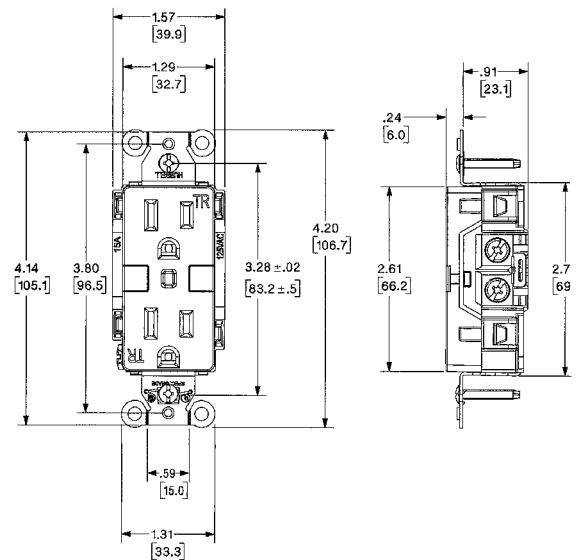


### Nightlight Receptacle

- 2 LED Nightlight Sources for 0.5 Lumens Total
- Tamper-Resistant Shutters Complies with NEC Article 406.12
- Back and Side Wired



Description	15A 125V AC NEMA 5-15R
Ivory	<b>DRS15NLI</b>
Light Almond	<b>DRS15NLLA</b>
White	<b>DRS15NLW</b>



### Nightlight Only

- LED 1.5 Lumen Nightlight with Polycarbonate Lens
- Full Face Lens for Maximum Illumination
- 6" Pre-wired Stranded Wire with 1/2" Stripped Ends



Description	120V AC
Ivory	<b>D100NLI</b>
Light Almond	<b>D100NLLA</b>
White	<b>D100NLW</b>

