

### UL Listed for Countertop Installation

Bryant Countertop Pop-Up Receptacles provide a power source ideal for kitchen and bath counters and islands. Bryant is the first to market a countertop receptacle that is UL Listed. It allows compliance with NEC® 406.5(E) [countertops], 406.5(F) [work surfaces], and 406.5(H) [seating areas]. Pop-Up Receptacles are tested and water resistant to a half gallon spill. The receptacles feature Bryant's patent pending silicone gaskets and patented cam action tamper-resistant technology. The compact design minimizes space required on the countertop as well as underneath in the cabinet area.

#### Features

- Surface or flush mount options
- Permanent installation ready (suitable for MC cable or non-metallic sheath cable)
- Seven finishes available
- Features two water and tamper-resistant receptacles
- Push down to pop-up function is rated for a minimum of 10,000 cycles (OPEN/CLOSE)
- Easy installation - simply drop in and tighten

 Listed file# E2186



#### UL498 Section 146

Built and listed to be water resistant to a half gallon of liquid spilled on the device.

#### NEC 406.5(E)

*Receptacle assemblies for installation in countertop surfaces shall be listed for countertop application.*

\*NEC is a Registered Trademark of the National Fire Protection Association.

## ORDERING INFORMATION



Description	Finish	Color/Material	Surface Mount	Flush Mount
15A 125V Tamper-Resistant Countertop Pop-Up Receptacle, Rated for 20A Circuits.	Powder Coated	Black	<b>RCT200BK</b>	<b>RCT201BK</b>
		White	<b>RCT200W</b>	<b>RCT201W</b>
	Brushed	Aluminum	<b>RCT200ALU</b>	<b>RCT201ALU</b>
		Brass	<b>RCT200BR</b>	<b>RCT201BR</b>
		Nickel	<b>RCT200NI</b>	<b>RCT201NI</b>
	Polished	Chrome	<b>RCT200CH</b>	<b>RCT201CH</b>
	Matte	Bronze	<b>RCT200BZE</b>	<b>RCT201BZE</b>



Powder Coated  
Black



Powder Coated  
White



Brushed  
Aluminum



Brushed  
Brass



Brushed  
Nickel



Polished  
Chrome



Matte  
Bronze

## Specifications

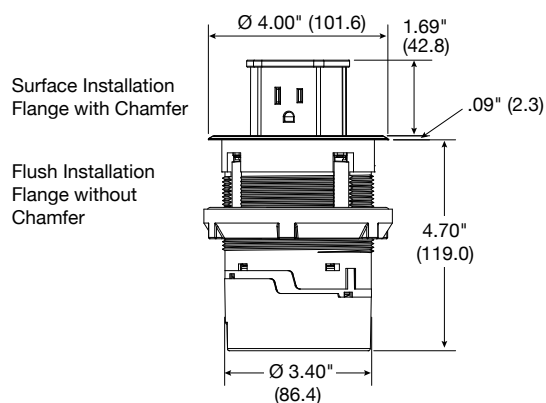
### Performance

Configuration	15 amp 125 volt, tamper resistant receptacle
Circuit Rating	20 amp non-feed through
Listings	cULus Listed to UL498, Section 145 Mechanical Load Test, 146 Spill Test
Dielectric Voltage	Withstands 2,000V minimum
Terminal Accommodation	#14-#12 AWG copper stranded or solid conductor only
Terminal Identification	Terminals identified in accordance with UL 498 and CSA
Flammability	UL 94V-2
Operating Temperature	Maximum continuous 75°C, minimum -40°C (w/o impact)

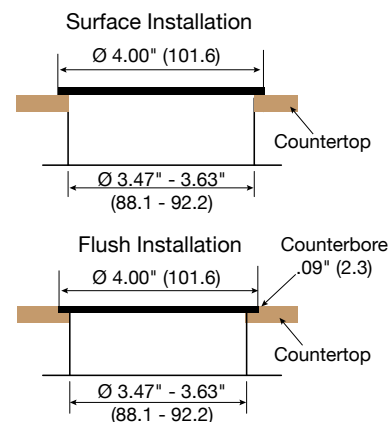
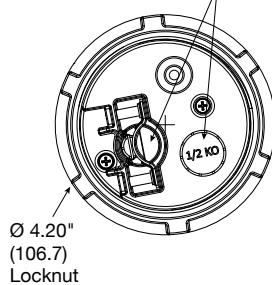
### Materials

Cover and Flange	Die Cast Aluminum
Main Body	Engineered Thermoplastic PBT
Wiring Chamber	Die Cast Aluminum
Water Seals	Elastomers and Silicon

## Dimensions Inches (mm)



Accepts non-metallic sheathed cable and/or metal conduit (by using wire clamp or 1/2" KO)



Note: Recommended to be fed by a GFCI circuit, up to 20 Amp Service.