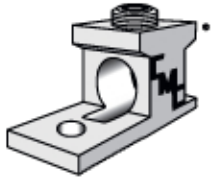
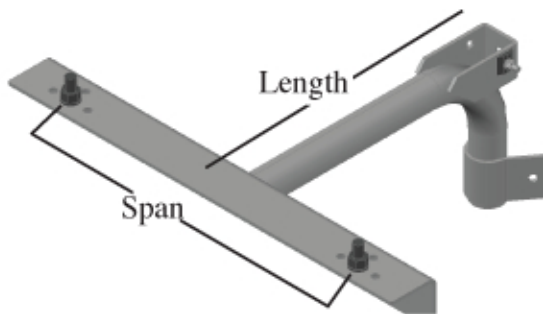


PRODUCT BULLETIN



**CONNECTOR
MANUFACTURING
COMPANY**

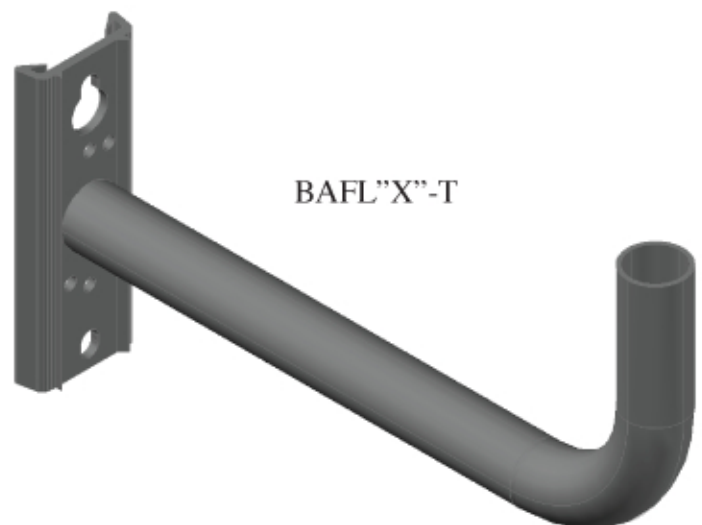
FLOOD LIGHT BRACKETS



BAFL "X"-2WBG
(Standard span is 24")

TYPE BAFL

- Made from light weight corrosion free aluminum (6061-T6).
- Available with 2" mounting bolt for light fixture (add "WB"), grounding hardware (add "G"), or both mounting and grounding hardware (add "WBG").
- Double light mounting angle available (add "2", e.g.: BAFL18-2).
- Stem Mount flood light brackets also available (add "T", e.g.: BAFL-18-T).



BAFL "X"-T

Connector Manufacturing Company
3501 Symmes Road
Hamilton, Ohio 45015-1369
Phone: 513-860-4455
Fax: 800-846-0787
www.cmclugs.com



PRODUCT BULLETIN

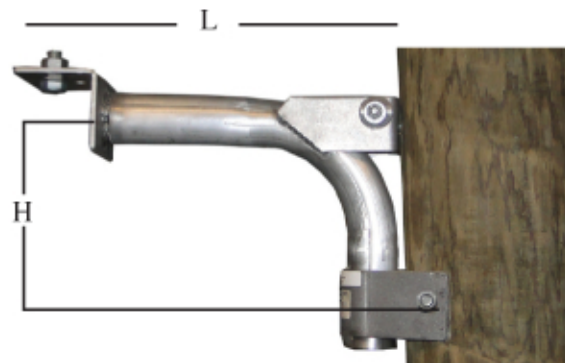
BAFL - Flood Light Brackets

Catalog Number	Length	Height	Weight
BAFL-16	16.00	8.00	4.45
BAFL-16-WBG	16.00	8.00	4.90
BAFL-18	18.00	8.00	4.63
BAFL-18-T	18.00	8.00	3.81
BAFL-18-WB	18.00	8.00	5.20
BAFL-18-WBG	18.00	8.00	5.26
BAFL-18-2-WBG	18.00	8.00	9.89
BAFL-18-2-G	18.00	8.00	9.00
BAFL-20	20.00	8.00	4.83
BAFL-20-2	20.00	8.00	9.08
BAFL-24	24.00	8.00	5.24
BAFL-24-T	24.00	8.00	5.24
BAFL-24-WB	24.00	8.00	5.30
BAFL-24-2	24.00	8.00	9.49

Length - is measured back of top mount bracket to center of front mounting hole

Height - is measured center top mounting slot to center bottom mounting hole

2.375 O.D. Aluminum Pipe. Made from light weight corrosion free aluminum, .150 Wall thickness



**CONNECTOR
MANUFACTURING
COMPANY**

3501 Symmes Road
Hamilton, Ohio 45015-1369
Phone: 513-860-4455
Fax: 800-846-0787

