



**Gas Connectors & Accessories**

**Continental  
Industries**

## **IN-LINE REPAIR FITTINGS**



**FROM STANDARD TO SPECIAL'S,  
CONTINENTAL INDUSTRIES HAS YOUR IN-LINE REPAIR  
FITTING.**

**NO OTHER SINGLE MANUFACTURER CAN OFFER THE  
VARIETY OF REPAIR FITTINGS THAT  
CONTINENTAL INDUSTRIES PROVIDES.**



1-800-558-1373 or FAX 1-800-788-1668 • Visit [www.conind.com](http://www.conind.com)



## Our Company

Continental Industries, headquartered in Tulsa , Oklahoma , was formed in 1958 and is today a leading manufacturer of connectors for the Gas Utility, Gas & Water Distribution, Propane, Plumbing and Cathodic Protection markets.

An ISO 9001 certified company, Continental Industries has manufacturing locations in Tulsa and Broken Arrow , Oklahoma. Our employees are committed to providing the best value to our customers.

Our full line of plastic and steel connector products are produced utilizing state-of-the-art injection molding machines, automatic screw machines, and CNC machining equipment. Our commitment to quality is evident in every step of our business processes. Renowned for our design and development of technologically advanced products, we provide our customers with reliable, cost-effective solutions to their “main to meter” service line installation, repair, or renewal problems.

thermOweld® , our exothermic welding materials and accessories products, provide a simple, efficient, cost effective method of permanently connecting two or more conductors utilizing a high temperature exothermic reaction between Aluminum and Copper Oxide to produce an almost pure copper weld. We manufacture all of our weld metal and molds in Oklahoma so you are certain of getting consistent, high quality products to satisfy your exothermic welding needs.

## Our Vision

Simply stated, our vision is “To be a Sales and Customer Driven Company” . Our commitment to providing the best value to our customers is shared by the entire organization and is evidenced by both the number of long standing relationships we have gratefully developed over the years and the new relationships we are developing every day.

## Why Use

Continental Industries is the industry leader in the manufacturing of plastic and steel mechanical fittings for the Gas & Water industry. From the Con-Stab ID Seal® to Scope®, steel saddles to HVT, quality and service is what drives us at Continental Industries.

Manufacturing fittings since 1958, Continental has the experience and confidence necessary to provide the best quality products on the market today. Continental Industries’ mechanical fittings will save you both time and money and give you the peace of mind that comes with using a quality product.

Continental Industries’ uses only the highest quality raw materials, engineered designs and manufacturing processes to ensure the consistent quality that makes Continental Industries’ products second to none.

With regional sales offices located throughout the United States, a Continental Industries representative is only a phone call away to help with any questions you may have.

Come experience what so many other satisfied customers have experienced, the excitement and family atmosphere that is Continental Industries!

### TABLE OF CONTENTS

PE x PE Fittings.....	3-15
PE x PVC Fittings.....	16
PE x Steel Fittings.....	17-23
PE x Copper Fittings .....	24
Steel x Steel Fittings.....	25-26
Miscellaneous Fittings.....	27
Compression Styles.....	27
Typical Assemblies .....	28-29





## CON-STAB ID SEAL® Full Couplings

PE SIZE	WALL	PART NUMBER (3408/4710)	PART NUMBER (2406/2708)
1/2" CTS (5/8" OD)	.090	3259-52-1004-00†‡	3369-52-1004-00‡
3/4" CTS (7/8" OD)	.090	3259-52-1006-00‡	3369-52-1006-00
1" CTS (1 1/8" OD)	.099/.101	3259-52-1008-00†‡	3369-52-1008-00‡
	.090	3259-52-1008-AA‡	3369-52-1008-AA‡
1 1/4" CTS (1 3/8" OD)	.090	3259-52-1039-AA	3369-52-1039-AA
1/2" IPS	SDR-9.33 (.090)	3259-52-1012-00‡	3369-52-1012-00
3/4" IPS	SDR-11 (.095)	3259-52-1013-00†‡	3369-52-1013-00‡
1" IPS	SDR-11 (.119)	3259-52-1014-00†‡	3369-52-1014-00‡
1 1/4" IPS	SDR-10 (.166)	3259-52-1015-00†‡	3369-52-1015-00
	SDR-11 (.151)	3259-52-1015-AA	3369-52-1015-AA
1 1/2" IPS	SDR-11 (.173)	3259-52-1016-00†‡	3369-52-1016-00‡
2" IPS	SDR-11 (.216)	3259-52-1017-00†‡	3369-52-1017-00

For sizes not listed, contact Continental Industries.

Pressure rating—Designed to meet or exceed pressure rating of PE pipe per 49 CFR Part 192 and ASTM D2513.

Recommended accessories; Continental's Bladed Chamfering Tool. See page 30 for size combinations available.

For Con-Stab ID Seal® Couplings with EFV's, contact Continental Industries.

† = CSA Approved / ‡ = IAPMO/UPC Listed



## CON-STAB ID SEAL® End Caps

PE SIZE	WALL	PART NUMBER (3408/4710)	PART NUMBER (2406/2708)
1/2" CTS (5/8" OD)	.090	3259-53-1004-00†‡	3369-53-1004-00‡
3/4" CTS (7/8" OD)	.090	3259-53-1006-00‡	3369-53-1006-00
1" CTS (1 1/8" OD)	.099/.101	3259-53-1008-00†‡	3369-53-1008-00‡
	.090	3259-53-1008-0A‡	3369-53-1008-0A‡
1 1/4" CTS (1 3/8" OD)	.090	3259-53-1039-0A	3369-53-1039-0A
1/2" IPS	SDR-9.33 (.090)	3259-53-1012-00‡	3369-53-1012-00
3/4" IPS	SDR-11 (.095)	3259-53-1013-00†‡	3369-53-1013-00‡
1" IPS	SDR-11 (.119)	3259-53-1014-00†‡	3369-53-1014-00‡
1 1/4" IPS	SDR-10 (.166)	3259-53-1015-00†‡	3369-53-1015-00
	SDR-11 (.151)	3259-53-1015-0A	3369-53-1015-0A
1 1/2" IPS	SDR-11 (.173)	3259-53-1016-00†‡	3369-52-1016-00‡
2" IPS	SDR-11 (.216)	3259-53-1017-00†‡	3369-53-1017-00

For sizes not listed, contact Continental Industries.

Pressure rating—Designed to meet or exceed pressure rating of PE pipe per 49 CFR Part 192 and ASTM D2513.

Recommended accessories; Continental's Bladed Chamfering Tool. See page 30 for size combinations available.

† = CSA Approved / ‡ = IAPMO/UPC Listed



## CON-STAB ID SEAL® Cap-N-Go Couplings

PE SIZE	WALL	PART NUMBER (3408/4710)	PART NUMBER (2406/2708)
1/2" CTS (5/8" OD)	.090	3259-57-1004-00‡	3369-57-1004-00
1" CTS (1 1/8" OD)	.099/.101	3259-57-1008-00‡	3369-57-1008-00
	.090	3259-57-1008-AA	3369-57-1008-AA
1/2" IPS	SDR-9.33 (.090)	3259-57-1012-00‡	3369-57-1012-00
3/4" IPS	SDR-11 (.095)	3259-57-1013-00†‡	3369-57-1013-00
1" IPS	SDR-11 (.119)	3259-57-1014-00†‡	3369-57-1014-00
1 1/4" IPS	SDR-10 (.166)	3259-57-1015-00†‡	3369-57-1015-00
	SDR-11 (.151)	3259-57-1015-AA	3369-57-1015-AA
2" IPS	SDR-11 (.216)	3259-57-1017-00†‡	3369-57-1017-00

For sizes not listed, contact Continental Industries.

Pressure rating—Designed to meet or exceed pressure rating of PE pipe per 49 CFR Part 192 and ASTM D2513.

Recommended accessories; Continental's Bladed Chamfering Tool. See page 30 for size combinations available.

† = CSA Approved / ‡ = IAPMO/UPC Listed





## CON-STAB ID SEAL® 3-Way Tees

PE SIZE	WALL	PART NUMBER (3408/4710)	PART NUMBER (2406/2708)
1/2" CTS (5/8" OD)	.090	3259-50-1004-00†‡	3369-50-1004-00‡
3/4" CTS (7/8" OD)	.090	3259-50-1006-00‡	3369-50-1006-00
1" CTS (1 1/8" OD)	.099/.101	3259-50-1008-00†‡	3369-50-1008-00‡
	.090	3259-50-1008-AA‡	3369-50-1008-AA‡
1 1/4" CTS (1 3/8" OD)	.090	3259-50-1039-AA	3369-50-1039-AA
1/2" IPS	SDR-9.33 (.090)	3259-50-1012-00‡	3369-50-1012-00
3/4" IPS	SDR-11 (.095)	3259-50-1013-00†‡	3369-50-1013-00‡
1" IPS	SDR-11 (.119)	3259-50-1014-00†‡	3369-50-1014-00‡
1 1/4" IPS	SDR-10 (.166)	Not Available	3369-50-1015-00
	SDR-11 (.151)	3259-50-1015-AA	Not Available
1 1/2" IPS	SDR-11 (.173)	3259-50-1016-00‡	3369-50-1016-00†‡
2" IPS	SDR-11 (.216)	3259-50-1017-00†‡	3369-50-1017-00



For sizes not listed, contact Continental Industries.

Pressure rating—Designed to meet or exceed pressure rating of PE pipe per 49 CFR Part 192 and ASTM D2513. Recommended accessories; Continental's Bladed Chamfering Tool. See page 30 for size combinations available. † = CSA Approved / ‡ = IAPMO/UPC Listed

## CON-STAB ID SEAL® 90° Elbows

PE SIZE	WALL	PART NUMBER (3408/4710)	PART NUMBER (2406/2708)
1/2" CTS (5/8" OD)	.090	3259-51-1004-00†	3369-51-1004-00
3/4" CTS (7/8" OD)	.090	3259-51-1006-00‡	3369-51-1006-00
1" CTS (1 1/8" OD)	.099/.101	3259-51-1008-00	3369-51-1008-00
	.090	3259-51-1008-AA	3369-51-1008-AA
1 1/4" CTS (1 3/8" OD)	.090	3259-51-1039-AA	3369-51-1039-AA
1/2" IPS	SDR-9.33 (.090)	3259-51-1012-00‡	3369-51-1012-00
3/4" IPS	SDR-11 (.095)	3259-51-1013-00†‡	3369-51-1013-00
1" IPS	SDR-11 (.119)	3259-51-1014-00†‡	3369-51-1014-00
1 1/4" IPS	SDR-10 (.166)	Not Available	3369-51-1015-00
	SDR-11 (.151)	3259-51-1015-AA	Not Available
1 1/2" IPS	SDR-11 (.173)	3259-51-1016-00‡	3369-51-1016-00†‡
2" IPS	SDR-11 (.216)	3259-51-1017-00†‡	3369-51-1017-00

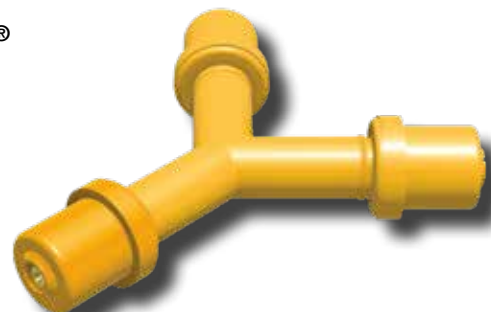


For sizes not listed, contact Continental Industries.

Pressure rating—Designed to meet or exceed pressure rating of PE pipe per 49 CFR Part 192 and ASTM D2513. Recommended accessories; Continental's Bladed Chamfering Tool. See page 30 for size combinations available. † = CSA Approved / ‡ = IAPMO/UPC Listed

## CON-STAB ID SEAL® 45° Wyes

PE SIZE	WALL	PART NUMBER (3408/4710)	PART NUMBER (2406/2708)
1/2" CTS (5/8" OD)	.090	Not Available	9969-99-0007-00
1" CTS (1 1/8" OD)	.099/.101	Not Available	9969-99-0008-00
3/4" IPS	SDR-11 (.095)	Not Available	9969-99-0009-00



For sizes not listed, contact Continental Industries.

Pressure rating—Designed to meet or exceed pressure rating of PE pipe per 49 CFR Part 192 and ASTM D2513. Con-Stab ID Seal® wye fittings available only in 2406/2708 PE material. Recommended accessories; Continental's Bladed Chamfering Tool. See page 30 for size combinations available.





## CON-STAB ID SEAL® Reducer Couplings



PE SIZE	WALL	PE SIZE	WALL	PART NUMBER (3408/4710)	PART NUMBER (2406/2708)	
3/4" CTS (7/8" OD)	.090	1/2" CTS (5/8" OD)	.090	3259-54-0604-00	3369-54-0604-00	
1" CTS (1 1/8" OD)	.099/.101	3/4" IPS	SDR-11 (.095)	3259-54-0813-00†	3369-54-0813-00†	
	.090			3259-54-0813-A0†	3369-54-0813-A0†	
	.099/.101	3/4" CTS (7/8" OD)	.090	3259-54-0806-00	3369-54-0806-00	
	.090			3259-54-0806-A0	3369-54-0806-A0	
	.099/.101	1/2" IPS	SDR-9.33 (.090)	3259-54-0812-00	3369-54-0812-00	
	.090			3259-54-0812-A0	3369-54-0812-A0	
.099/.101	1/2" CTS (5/8" OD)	.090	3259-54-0804-00†	3369-54-0804-00†‡		
.090			3259-54-0804-A0†	3369-54-0804-A0†		
1 1/4" CTS (1 3/8" OD)	.090	1" IPS	SDR-11	3259-54-3914-A0	3369-54-3914-A0	
		1" CTS (1 1/8" OD)	.099/.101	3259-54-3908-A0	3369-54-3908-A0	
		3/4" IPS	SDR-11 (.095)	3259-54-3908-AA	3369-54-3908-AA	
		3/4" CTS (7/8" OD)	.090	3259-54-3913-A0	3369-54-3913-A0	
		1/2" IPS	SDR-9.33 (.090)	3259-54-3912-A0	3369-54-3912-A0	
1/2" IPS	SDR-9.33 (.090)	1/2" CTS (5/8" OD)	.090	3259-54-1204-0A	3369-54-1204-0A	
3/4" IPS	SDR-11 (.095)	1/2" IPS	SDR-9.33 (.090)	3259-54-1312-00†	3369-54-1312-00	
		3/4" CTS (7/8" OD)	.090	3259-54-1306-00	3369-54-1306-00	
		1/2" CTS (5/8" OD)	.090	3259-54-1304-00†	3369-54-1304-00†	
1" IPS	SDR-11 (.119)	1" CTS (1 1/8" OD)	.099/.101	3259-54-1408-00†	3369-54-1408-00	
			.090	3259-54-1408-0A	3369-54-1408-0A	
		3/4" IPS	SDR-11 (.095)	3259-54-1413-00†	3369-54-1413-00†	
		3/4" CTS (7/8" OD)	.090	3259-54-1406-00	3369-54-1406-00	
		1/2" IPS	SDR-9.33 (.090)	3259-54-1412-00	3369-54-1412-00	
1/2" CTS	.090	3259-54-1404-00†	3369-54-1404-00			
1 1/4" IPS	SDR-10 (.166)	1 1/4" IPS	SDR-11 (.151)	Not Available	3369-54-1515-0A	
	SDR-11 (.151)	1 1/4" CTS (1 3/8" OD)	.090	3259-54-1539-AA	Not Available	
	SDR-10 (.166)	1" IPS	SDR-11 (.119)	Not Available	3369-54-1514-00	
	SDR-11 (.151)			3259-54-1514-A0	Not Available	
	SDR-10 (.166)	1" CTS (1 1/8" OD)	.099/.101	Not Available	3369-54-1508-00	
	SDR-11 (.151)			.090	Not Available	3369-54-1508-0A
	SDR-10 (.166)			.099/.101	3259-54-1508-A0	Not Available
	SDR-11 (.151)	3/4" IPS	SDR-11 (.095)	.090	3259-54-1508-AA	Not Available
SDR-10 (.166)	Not Available			3369-54-1513-00		
SDR-11 (.151)			3259-54-1513-A0	3369-54-1513-A0		
1 1/2" IPS	SDR-11 (.173)	1 1/4" IPS	SDR-10 (.166)	3259-54-1615-00†	3369-54-1615-00†	
			SDR-11 (.151)	3259-54-1615-0A	3369-54-1615-0A	
2" IPS	SDR-11	1 1/2" IPS	SDR-11 (.173)	3259-54-1716-00†	3369-54-1716-00†	
		1 1/4" IPS	SDR-10 (.166)	Not Available	3369-54-1715-00	
			SDR-11 (.151)	3259-54-1715-0A	Not Available	
		1 1/4" CTS (1 3/8" OD)	.090	3259-54-1739-0A	3369-54-1739-0A	
		1" IPS	SDR-11 (.119)	3259-54-1714-00	3369-54-1714-00	
		1" CTS (1 1/8" OD)	.099/.101	3259-54-1708-00	3369-54-1708-00	
	.090	3259-54-1708-0A	3369-54-1708-0A			

For sizes not listed, contact Continental Industries.

Pressure rating—Designed to meet or exceed pressure rating of PE pipe per 49 CFR Part 192 and ASTM D2513.

Recommended accessories: Continental's Bladed Chamfering Tool. See page 30 for size combinations available.

† = CSA Approved / ‡ = IAPMO/UPC Listed



## CON-STAB ID SEAL® 3-Way Reducing Tees



PE SIZE (Run)	WALL	PE SIZE (Branch)	WALL	PART NUMBER (3408/4710)	PART NUMBER (2406/2708)
1/2" CTS (5/8" OD)	.090	1" CTS (1 1/8" OD)	.099/.101	3259-49-0408-00	3369-49-0408-00
		1" CTS (1 1/8" OD)	.090	3259-49-0408-0A	3369-49-0408-0A
3/4" CTS (7/8" OD)	.090	1/2" CTS (5/8" OD)	.090	3259-49-0604-00	3369-49-0604-00
1" CTS (1 1/8" OD)	.099/.101	3/4" CTS (7/8" OD)	.090	3259-49-0806-00	3369-49-0806-00
				3259-49-0806-A0	3369-49-0806-A0
	.090	1/2" CTS (5/8" OD)	.090	3259-49-0804-00‡	3369-49-0804-00
				3259-49-0804-A0	3369-49-0804-A0
1 1/4" CTS (1 3/8" OD)	.090	1/2" CTS (5/8" OD)	.090	3259-49-3904-A0	3369-49-3904-A0
1/2" IPS	SDR-9.33 (.090)	1/2" CTS (5/8" OD)	.090	3259-49-1204-00	3369-49-1204-00
3/4" IPS	SDR-11 (.095)	1/2" CTS (5/8" OD)	.090	3259-49-1304-00‡	3369-49-1304-00
1" IPS	SDR-11 (.119)	1" CTS (1 1/8" OD)	.099/.101	3259-49-1408-00	3369-49-1408-00
			.090	3259-49-1408-0A	3369-49-1408-0A
		3/4" IPS	SDR-11 (.095)	3259-49-1413-00‡	3369-49-1413-00
		3/4" CTS (7/8" OD)	.090	3259-49-1406-00	3369-49-1406-00
		1/2" IPS	SDR-9.33 (.090)	3259-49-1412-00	3369-49-1412-00
1/2" CTS	.090	3259-49-1404-00‡	3369-49-1404-00		
1 1/4" IPS	SDR-10 (.166)	1" CTS (1 1/8" OD)	.099/.101	Not Available	3369-49-1508-00
			.090	Not Available	3369-49-1508-0A
	SDR-11 (.151)	1" CTS (1 1/8" OD)	.099/.101	3259-49-1508-A0	Not Available
			.090	3259-49-1508-AA	Not Available
	SDR-10 (.166)	3/4" IPS	SDR-11 (.095)	Not Available	3369-49-1513-00
				3259-49-1513-A0	Not Available
SDR-10 (.166)	1/2" CTS (5/8" OD)	.090	Not Available	3369-49-1504-00	
SDR-11 (.151)			3259-49-1504-A0	Not Available	
1 1/2" IPS	SDR-11 (.173)	1 1/4" IPS	SDR-10 (.166)	Not Available	3369-49-1615-00
			SDR-11 (.151)	3259-49-1615-0A	Not Available
		3/4" IPS	SDR-11 (.095)	3259-49-1613-00	3369-49-1613-00
2" IPS	SDR-11	1 1/2" IPS	SDR-11 (.173)	3259-49-1716-00‡	3369-49-1716-00
		1 1/4" IPS	SDR-10 (.166)	Not Available	3369-49-1715-00
			SDR-11 (.151)	3259-49-1715-0A	Not Available
		1" IPS	SDR-11 (.119)	3259-49-1714-00	3369-49-1714-00
		3/4" IPS	SDR-11 (.095)	3259-49-1713-00	3369-49-1713-00
1" CTS (1 1/8" OD)	.099/.101	3259-49-1708-00‡	3369-49-1708-00		
	.090	3259-49-1708-0A	3369-49-1708-0A		

For sizes not listed, contact Continental Industries.

Pressure rating—Designed to meet or exceed pressure rating of PE pipe per 49 CFR Part 192 and ASTM D2513.

Recommended accessories; Continental's Bladed Chamfering Tool. See page 30 for size combinations available.

‡ = IAPMO/UPC Listed



## CON-STAB ID SEAL® Repair Couplings



PE SIZE	WALL	LENGTH	PART NUMBER (3408/4710)	PART NUMBER (2406/2708)
1/2" CTS (5/8" OD)	.090	8"	0459-56-0800-00	0469-56-0800-00
		12"	0459-56-1200-00‡	0469-56-1200-00‡
		24"	0459-56-2400-00	0469-56-2400-00
3/4" CTS (7/8" OD)	.090	8"	0659-56-0800-00	0669-56-0800-00
		12"	0659-56-1200-00	0669-56-1200-00
		24"	0659-56-2400-00	0669-56-2400-00
1" CTS (1 1/8" OD)	.099/.101	8"	0859-56-0800-00	0869-56-0800-00
		12"	0859-56-1200-00‡	0869-56-1200-00‡
		24"	0859-56-2400-00	0869-56-2400-00
	.090	8"	0859-56-0800-AA	0869-56-0800-AA
		12"	0859-56-1200-AA‡	0869-56-1200-AA‡
		24"	0859-56-2400-AA	0869-56-2400-AA
1 1/4" CTS (1 3/8" OD)	.090	8"	3959-56-0800-AA	3969-56-0800-AA
		12"	3959-56-1200-AA	3969-56-1200-AA
		24"	3959-56-2400-AA	3969-56-2400-AA
1/2" IPS	SDR-9.33 (.090)	8"	1259-56-0800-00	1269-56-0800-00
		12"	1259-56-1200-00	1269-56-1200-00
		24"	1259-56-2400-00	1269-56-2400-00
3/4" IPS	SDR-11 (.095)	8"	1359-56-0800-00	1369-56-0800-00
		12"	1359-56-1200-00‡	1369-56-1200-00‡
		24"	1359-56-2400-00	1369-56-2400-00
1" IPS	SDR-11 (.119)	8"	1459-56-0800-00	1469-56-0800-00
		12"	1459-56-1200-00‡	1469-56-1200-00‡
		24"	1459-56-2400-00	1469-56-2400-00

For sizes not listed, contact Continental Industries.

Pressure rating—Designed to meet or exceed pressure rating of PE pipe per 49 CFR Part 192 and ASTM D2513.  
Recommended accessories; Continental's Bladed Chamfering Tool. See page 30 for size combinations available.  
For 1 1/4" IPS and 2" IPS Repair Couplings, see Scope® Repair Couplings on page 10.

‡ = IAPMO/UPC Listed



## CON-STAB ID SEAL® PE Stab Full Couplings with GasBreaker™ Excess Flow Valves



GasBreaker™ EXCESS FLOW VALVES				
EFV SIZE	PE SIZE	WALL	PART NUMBER (3408/4710)	PART NUMBER (2406/2708)
UMAC® SERIES 300	1/2" CTS (5/8" OD)	.090	3259-52-1004-70	3369-52-1004-70
	3/4" CTS (7/8" OD)	.090	3259-52-1006-70	3369-52-1006-70
	1" CTS (1 1/8" OD)	.099/.101	3259-52-1008-70	3369-52-1008-70
		.090	3259-52-1008-71	3369-52-1008-71
	1 1/4" CTS (1 3/8" OD)	.090	3259-52-1039-71	3369-52-1039-71
	1/2" IPS	SDR-9.33 (.090)	3259-52-1012-70	3369-52-1012-70
	3/4" IPS	SDR-11 (.095)	3259-52-1013-70	3369-52-1013-70
1" IPS	SDR-11 (.119)	3259-52-1014-70	3369-52-1014-70	
UMAC® SERIES 700	1/2" CTS (5/8" OD)	.090	3259-52-1004-72	3369-52-1004-72
	3/4" CTS (7/8" OD)	.090	3259-52-1006-72	3369-52-1006-72
	1" CTS (1 1/8" OD)	.099/.101	3259-52-1008-72	3369-52-1008-72
		.090	3259-52-1008-73	3369-52-1008-73
	1 1/4" CTS (1 3/8" OD)	.090	3259-52-1039-73	3369-52-1039-73
	1/2" IPS	SDR-9.33 (.090)	3259-52-1012-72	3369-52-1012-72
	3/4" IPS	SDR-11 (.095)	3259-52-1013-72	3369-52-1013-72
1" IPS	SDR-11 (.119)	3259-52-1014-72	3369-52-1014-72	
UMAC® SERIES 1800	1" CTS (1 1/8" OD)	.099/.101	3259-52-1008-74	3369-52-1008-74
		.090	3259-52-1008-75	3369-52-1008-75
	1 1/4" CTS (1 3/8" OD)	.090	3259-52-1039-75	3369-52-1039-75
	1/2" IPS	SDR-9.33 (.090)	3259-52-1012-74	3369-52-1012-74
	3/4" IPS	SDR-11 (.095)	3259-52-1013-74	3369-52-1013-74
1" IPS	SDR-11 (.119)	3259-52-1014-74	3369-52-1014-74	

- For sizes not listed, contact Continental Industries.
- Pressure rating—Designed to meet or exceed pressure rating of PE pipe per 49 CFR Part 192 and ASTM D2513.
- Recommended accessories;
  - Continental's Bladed Chamfering Tool. See page 30 for size combinations available.





## CON-STAB ID SEAL®

### PE Stab Adapter Couplings with GasBreaker™ Excess Flow Valves

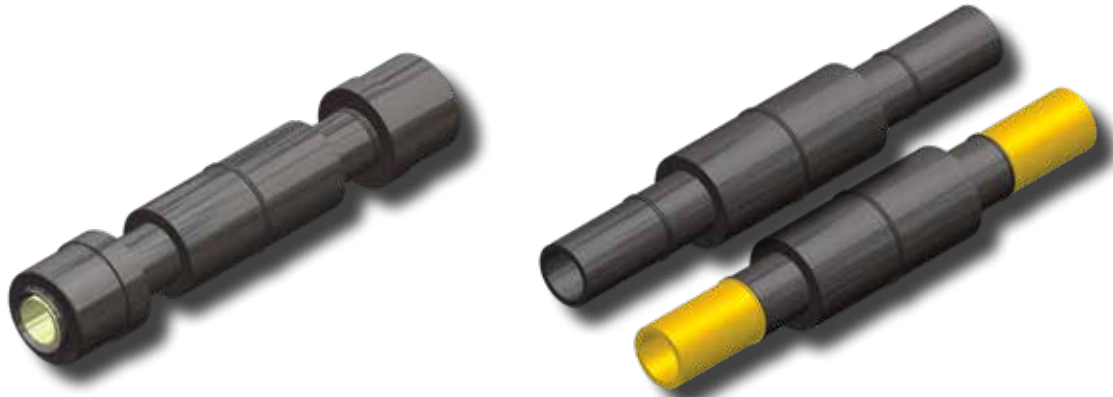


GasBreaker™ EXCESS FLOW VALVES				
EFV SIZE	PE SIZE	WALL	PART NUMBER (3408/4710)	PART NUMBER (2406/2708)
UMAC® SERIES 300	1/2" CTS (5/8" OD)	.090	0459-48-3104-70	0469-48-3104-70
	1" CTS (1 1/8" OD)	.099/.101	0859-48-3108-70	0869-48-3108-70
	1/2" IPS	SDR-9.33 (.090)	1259-48-3112-70	1269-48-3112-70
	3/4" IPS	SDR-11 (.095)	1359-48-3113-70	1369-48-3113-70
UMAC® SERIES 700	1" IPS	SDR-11 (.119)	1459-48-3114-70	1469-48-3114-70
	1/2" CTS (5/8" OD)	.090	0459-48-3104-72	0469-48-3104-72
	1" CTS (1 1/8" OD)	.099/.101	0859-48-3108-72	0869-48-3108-72
	1/2" IPS	SDR-9.33 (.090)	1259-48-3112-72	1269-48-3112-72
UMAC® SERIES 1800	3/4" IPS	SDR-11 (.095)	1359-48-3113-72	1369-48-3113-72
	1" IPS	SDR-11 (.119)	1459-48-3114-72	1469-48-3114-72
	1" CTS (1 1/8" OD)	.099/.101	0859-48-3108-74	0869-48-3108-74
	1/2" IPS	SDR-9.33 (.090)	1259-48-3112-74	1269-48-3112-74
	3/4" IPS	SDR-11 (.095)	1359-48-3113-74	1369-48-3113-74
	1" IPS	SDR-11 (.119)	1459-48-3114-74	1469-48-3114-74

- **For sizes not listed, contact Continental Industries.**
- Pressure rating—Designed to meet or exceed pressure rating of PE pipe per 49 CFR Part 192 and ASTM D2513.
- Recommended accessories;
  - Continental's Bladed Chamfering Tool. See page 30 for size combinations available.



## THE SCOPE® Expandable Repair Couplings



PE SIZE	WALL	STYLE OUTLET	LENGTH	PART NUMBER (3408/4710)	PART NUMBER (2406/2708)	ACTUAL REPAIR LENGTH
3/4" CTS (7/8" OD)	.090	Con-Stab	14"	3238-14-4406-00	N/A	13 1/2" to 14"
		Con-Stab	26"	3238-26-4406-00	3338-26-4606-00	25 1/2" to 26"
1" CTS (1 1/8" OD)	.099/.101	Con-Stab	14"	3238-14-4408-00	N/A	13 1/2" to 14"
		Con-Stab	26"	3238-26-4408-00	3338-26-4608-00	25 1/2" to 26"
	.090	Con-Stab	14"	3238-14-4408-AA	N/A	13 1/2" to 14"
		Con-Stab	26"	3238-26-4408-AA	3338-26-4608-AA	25 1/2" to 26"
1/2" IPS	SDR-9.3 (.090)	Con-Stab	14"	3238-14-4412-00	N/A	13 1/2" to 14"
		Con-Stab	26"	3238-26-4412-00	3338-26-4612-00	25 1/2" to 26"
3/4" IPS	SDR-11 (.095)	Con-Stab	14"	3238-14-4413-00	N/A	13 1/2" to 14"
		Con-Stab	26"	3238-26-4413-00	3338-26-4613-00	25 1/2" to 26"
1" IPS	SDR-11 (.119)	Con-Stab	14"	3238-14-4414-00	N/A	13 1/2" to 14"
		Con-Stab	26"	3238-26-4414-00	3338-26-4614-00	25 1/2" to 26"
1 1/4" IPS	SDR-10 (.166)	Con-Stab	14"	3238-14-4415-00‡	N/A	13 1/2" to 14"
		Con-Stab	26"	N/A	3238-26-4615-00	25 1/2" to 26"
		Con-Stab	38"	N/A	3238-38-4615-00	37 1/2" to 38"
		Con-Stab	50"	N/A	3238-50-4615-00	49 1/2" to 50"
	SDR-11 (.151)	Con-Stab	14"	3238-14-4415-AA	N/A	13 1/2" to 14"
		Con-Stab	26"	3238-26-4415-AA	3338-26-4615-AA	25 1/2" to 26"
1 1/2" IPS	SDR-11 (.173)	Con-Stab	38"	3238-38-4415-AA	3338-38-4615-AA	37 1/2" to 38"
		Con-Stab	50"	3238-50-4415-AA	3338-50-4615-AA	49 1/2" to 50"
		Con-Stab	14"	3238-14-4416-00	N/A	13 1/2" to 14"
		Con-Stab	26"	3238-26-4416-00	3338-26-4616-00	25 1/2" to 26"
2" IPS	SDR-11 (.216)	Con-Stab	38"	3238-38-4416-00	3338-38-4616-00	37 1/2" to 38"
		Con-Stab	50"	3238-50-4416-00	3338-50-4616-00	49 1/2" to 50"
		Con-Stab	14"	3238-14-4417-00‡	N/A	13 1/2" to 14"
		Con-Stab	26"	3238-26-4417-00	3338-26-4617-00	25 1/2" to 26"
1 1/4" IPS	SDR-10 (.166)	Con-Stab	38"	3238-38-4417-00	3338-38-4617-00	37 1/2" to 38"
		Con-Stab	50"	3238-50-4417-00	3338-50-4617-00	49 1/2" to 50"
		Fusion	19"	3237-19-4415-00	N/A	16" to 19"
		Fusion	27"	N/A	3237-27-4615-00	16" to 27"
2" IPS	SDR-11 (.216)	Fusion	39"	N/A	3237-39-4615-00	16" to 39"
		Fusion	51"	N/A	3237-51-4615-00	16" to 51"
		Fusion	19"	3237-19-4415-AA	N/A	16" to 19"
		Fusion	27"	3237-27-4415-AA	3337-27-4615-AA	16" to 27"
1 1/4" IPS	SDR-11 (.151)	Fusion	39"	3237-39-4415-AA	3337-39-4615-AA	16" to 39"
		Fusion	51"	3237-51-4415-AA	3337-51-4615-AA	16" to 51"
		Fusion	19"	3237-19-4417-00	N/A	16" to 19"
		Fusion	27"	3237-27-4417-00	3337-27-4617-00	16" to 27"
2" IPS	SDR-11 (.216)	Fusion	39"	3237-39-4417-00	3337-39-4617-00	16" to 39"
		Fusion	51"	3237-51-4417-00	3337-51-4617-00	16" to 51"
		Fusion	19"	3237-19-4417-00	N/A	16" to 19"
		Fusion	27"	3237-27-4417-00	3337-27-4617-00	16" to 27"

For sizes not listed, contact Continental Industries.

Pressure rating—Designed to meet or exceed pressure rating of PE pipe per 49 CFR Part 192 and ASTM D2513.

Recommended accessories; Continental's Bladed Chamfering Tool. See page 30 for size combinations available.

‡ = IAPMO/UPC Listed



## COMPRESSION COUPLINGS For Polyethylene Pipe

PE SIZE	WALL	PART NUMBER
1/4" CTS (3/8" OD)	.062	5652-52-1002-00
1/2" CTS (5/8" OD)	.090	5657-52-1004-00‡
	.062	5657-52-1004-AA
1" CTS (1 1/8" OD)	.099/.101	5657-52-1008-00
	.090	5657-52-1008-AA
3/4" IPS	SDR-11 (.095)	5657-52-1013-00
1" IPS	SDR-11 (.119)	5657-52-1014-00
1 1/4" IPS	SDR-10 (.166)	5657-52-1015-00
	SDR-11 (.151)	5657-52-1015-AA
2" IPS	SDR-11 (.216)	5657-52-1017-00

For sizes not listed, contact Continental Industries.

Pressure rating—Designed to meet or exceed pressure rating of PE pipe per 49 CFR Part 192 and ASTM D2513.

For PA Couplings with EFV's, see page 12.

‡ = IAPMO/UPC Listed



## COMPRESSION END CAPS For Polyethylene Pipe

PE SIZE	WALL	PART NUMBER
1/4" CTS (3/8" OD)	.062	5657-53-1002-00
1/2" CTS (5/8" OD)	.090	5657-53-1004-00
	.062	5657-53-1004-0A
1" CTS (1 1/8" OD)	.099/.101	5657-53-1008-00
	.090	5657-53-1008-0A
3/4" IPS	SDR-11 (.095)	5657-53-1013-00
1" IPS	SDR-11 (.119)	5657-53-1014-00
1 1/4" IPS	SDR-10 (.166)	5657-53-1015-00
	SDR-11 (.151)	5657-53-1015-0A
2" IPS	SDR-11 (.216)	5657-53-1017-00

For sizes not listed, contact Continental Industries.

Pressure rating—Designed to meet or exceed pressure rating of PE pipe per 49 CFR Part 192 and ASTM D2513.





## COMPRESSION FITTINGS For Polyethylene Pipe with GasBreaker™ Excess Flow Valves

GasBreaker™ EXCESS FLOW VALVES			
EFV SIZE	PE SIZE	WALL	PART NUMBER
UMAC® SERIES 300	1/2" CTS (5/8" OD)	.090	5657-52-1004-70
		.062	5657-52-1004-71
	1" CTS (1 1/8" OD)	.099/.101	5657-52-1008-70
		.090	5657-52-1008-71
	3/4" IPS	SDR-11 (.095)	5657-52-1013-70
1" IPS	SDR-11 (.119)	5657-52-1014-70	
UMAC® SERIES 700	1/2" CTS (5/8" OD)	.090	5657-52-1004-72
		.062	5657-52-1004-73
	1" CTS (1 1/8" OD)	.099/.101	5657-52-1008-72
		.090	5657-52-1008-73
	3/4" IPS	SDR-11 (.095)	5657-52-1013-72
1" IPS	SDR-11 (.119)	5657-52-1014-72	
UMAC® SERIES 1800	1" CTS (1 1/8" OD)	.099/.101	5657-52-1008-74
		.090	5657-52-1008-75
	3/4" IPS	SDR-11 (.095)	5657-52-1013-74
	1" IPS	SDR-11 (.119)	5657-52-1014-74



For sizes not listed, contact Continental Industries.  
Pressure rating—Designed to meet or exceed pressure rating of PE pipe per 49 CFR Part 192 and ASTM D2513.

## COMPRESSION 3-WAY TEES For Polyethylene Pipe

PE SIZE	WALL	PART NUMBER
1/2" CTS (5/8" OD)	.090	5657-50-1004-00
	.062	5657-50-1004-AA
1" CTS (1 1/8" OD)	.099/.101	5657-50-1008-00
	.090	5657-50-1008-AA
3/4" IPS	SDR-11 (.095)	5657-50-1013-00



For sizes not listed, contact Continental Industries  
Pressure rating—Designed to meet or exceed pressure rating of PE pipe per 49 CFR Part 192 and ASTM D2513.



## COMPRESSION 90° ELBOWS For Polyethylene Pipe

PE SIZE	WALL	PART NUMBER
1/2" CTS (5/8" OD)	.090	5657-51-1004-00
	.062	5657-51-1004-AA
1" CTS (1 1/8" OD)	.099/.101	5657-51-1008-00
	.090	5657-51-1008-AA
3/4" IPS	SDR-11 (.095)	5657-51-1013-00

For sizes not listed, contact Continental Industries.  
Pressure rating—Designed to meet or exceed pressure rating of PE pipe per 49 CFR Part 192 and ASTM D2513.



## COMPRESSION REDUCER COUPLINGS For Polyethylene Pipe

PE SIZE	WALL	PE SIZE	WALL	PART NUMBER	
1/2" CTS (5/8" OD)	.090	1/2" CTS (5/8" OD)	.062	5657-54-0404-0A	
		1/4" CTS (3/8" OD)	.062	5657-54-0402-00	
	5657-54-0402-A0				
1" CTS (1 1/8" OD)	.099/.101	3/4" IPS	SDR-11 (.095)	5657-54-0813-00	
	.090			5657-54-0813-A0	
	.099/.101	1/2" CTS (5/8" OD)	.062	5657-54-0804-0A	
	.090			5657-54-0804-AA	
	.099/.101			.090	5657-54-0804-00
	.090				5657-54-0804-A0
3/4" IPS	SDR-11 (.095)	1/2" CTS (5/8" OD)	.090	5657-54-1304-00	
			.062	5657-54-1304-0A	
1" IPS	SDR-11 (.119)	1" CTS (1 1/8" OD)	.099/.101	5657-54-1408-00	
			.090	5657-54-1408-0A	
		3/4" IPS	SDR-11 (.095)	5657-54-1413-00	
				.090	5657-54-1404-00
		1/2" CTS	.062	5657-54-1404-0A	
1 1/4" IPS	SDR-10 (.166)	1 1/4" IPS	SDR-11 (.151)	5657-54-1015-0A	

For sizes not listed, contact Continental Industries.  
Pressure rating—Designed to meet or exceed pressure rating of PE pipe per 49 CFR Part 192 and ASTM D2513.







## BY-PASS TEES

OUTLET (PE SIZE)	WALL	MAIN SIZE	PART NUMBER (PE COMPRESSION OUTLET)	PART NUMBER (ABANDONMENT OUTLET)
1 1/4" IPS	SDR-10 (.166)	1 1/4"	5662-15-1015-00	5662-15-2715-00
		1 1/2"	5662-16-1015-00	5662-16-2715-00
	SDR-11 (.151)	1 1/4"	5662-15-1015-0A	5662-15-2715-0A
		1 1/2"	5662-16-1015-0A	5662-16-2715-0A
2" IPS	SDR-11 (.216)	2"	5662-17-1017-00	5662-17-2717-00

For sizes not listed, contact Continental Industries.

Pressure rating—Designed to meet or exceed pressure rating of PE pipe per 49 CFR Part 192 and ASTM D2513.



33-4916-00 ~ 1 1/4" & 1 1/2" IPS Main By-Pass Tee Valve Adapter  
33-4625-00 ~ 2" IPS Main By-Pass Tee Valve Adapter



➤ **AVAILABLE WITH:**

- 1 1/4", 1 1/2" & 2" IPS mains
- 1 1/4" & 2" IPS Compression outlets

➤ **INCREASED PRESSURE CAPABILITY:**

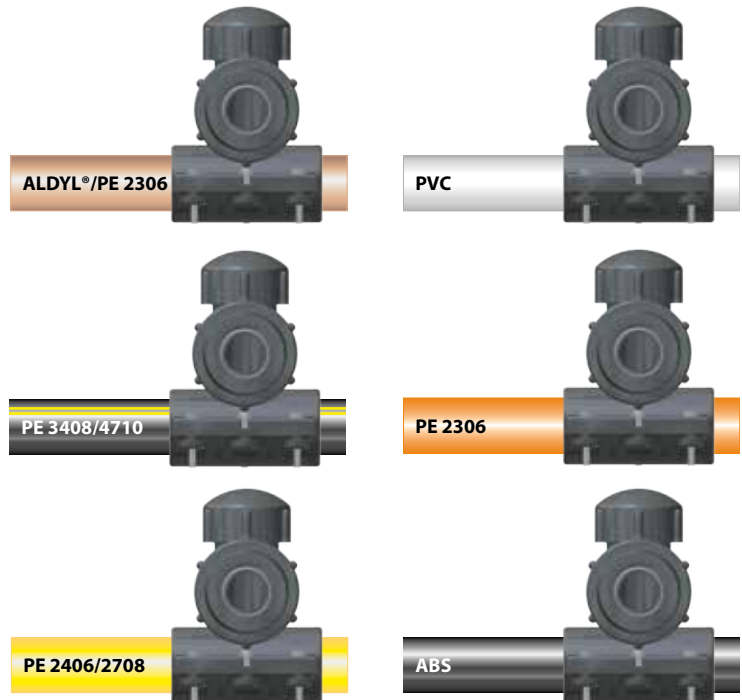
- All saddles are pressure rated to meet or exceed pressure rating of PE pipe per 49 CFR Part 192 and ASTM D2513.
- PA saddles elevated temperature code CE

➤ **POLYAMIDE MATERIAL (PA):**

- Used for 30 years in gas industry
- Listed material in ASTM D 2513
- Superior chemical resistance
- PA is stronger than PE
- Elevated temperature performance

➤ **FULL CIRCUMFERENTIAL COMPRESSION**

- Stable foundation
- Rotation resistance
- Equal stress distribution
- Simple tapping procedure



**The By-Pass Tees can be used on a variety of plastic fuel gas piping.**



## STEEL COMPRESSION COUPLINGS For Polyethylene Pipe

PE SIZE	WALL	PART NUMBER
1/4" CTS (3/8" OD)	.062	0242-00-1002-00
1/2" CTS (5/8" OD)	.090	0442-00-1004-00
	.062	0442-00-1004-AA
3/4" CTS (7/8" OD)	.090	0642-00-1006-00
1" CTS (1 1/8" OD)	.099/.101	0842-00-1008-00
	.090	0842-00-1008-AA
1/2" IPS	SDR-9.33 (.090)	1242-00-1012-00
3/4" IPS	SDR-11 (.095)	1342-00-1013-00
1" IPS	SDR-11 (.119)	1442-00-1014-00
1 1/4" IPS	SDR-10 (.166)	1542-00-1015-00
	SDR-11 (.151)	1542-00-1015-AA



For sizes not listed, contact Continental Industries.

Pressure rating—Designed to meet or exceed pressure rating of PE pipe per 49 CFR Part 192 and ASTM D2513.

## STEEL COMPRESSION REDUCER COUPLINGS For Polyethylene Pipe

PE SIZE	WALL	PE SIZE	WALL	PART NUMBER
1/2" CTS (5/8" OD)	.090	1/4" CTS (3/8" OD)	.062	0442-00-1002-00
	.062			0442-00-1002-AA
3/4" CTS (7/8" OD)	.090	1/2" IPS	SDR-9.3 (.090)	0642-00-1012-00
1" CTS (1 1/8" OD)	.099/.101	3/4" IPS	SDR-11 (.095)	0842-00-1013-00
	.090			0842-00-1013-AA
3/4" IPS	SDR-11 (.095)	3/4" CTS (7/8" OD)	.090	1342-00-1006-00
		1/2" IPS	SDR-9.3 (.090)	1342-00-1012-00
		1/2" CTS (5/8" OD)	.090	1342-00-1004-00
1" IPS	SDR-11 (.119)	3/4" CTS (7/8" OD)	.090	1442-00-1006-00
1 1/4" IPS	SDR-10 (.166)	1" CTS (1 1/8" OD)	.099/.101	1542-00-1008-00
		1/2" CTS (5/8" OD)	.090	1542-00-1004-00
	SDR-11 (.151)	1" CTS (1 1/8" OD)	.090	1542-00-1008-AA
		1/2" CTS (5/8" OD)	.062	1542-00-1004-AA



For sizes not listed, contact Continental Industries.

Pressure rating—Designed to meet or exceed pressure rating of PE pipe per 49 CFR Part 192 and ASTM D2513.

## STEEL COMPRESSION 3-WAY TEES For Polyethylene Pipe

PE SIZE	WALL	PART NUMBER
1/4" CTS (3/8" OD)	.062	0039-00-1002-00
1/2" CTS (5/8" OD)	.090	0039-00-1004-00
	.062	0039-00-1004-AA
3/4" CTS (7/8" OD)	.090	0039-00-1006-00
1" CTS (1 1/8" OD)	.099/.101	0039-00-1008-00
	.090	0039-00-1008-AA
1/2" IPS	SDR-9.33 (.090)	0039-00-1012-00
3/4" IPS	SDR-11 (.095)	0039-00-1013-00
1" IPS	SDR-11 (.119)	0039-00-1014-00



For sizes not listed, contact Continental Industries.

Pressure rating—Designed to meet or exceed pressure rating of PE pipe per 49 CFR Part 192 and ASTM D2513.



## THE SCOPE® Expandable Repair Couplings (PE Stab X PVC)

PE SIZE	WALL	PVC SOCKET	LENGTH	PART NUMBER (3408/4710)	ACTUAL REPAIR LENGTH
1/2" CTS (5/8" OD)	.090	3/8" IPS	14"	0457-55-0711-34	13 1/2" to 14"
		1/2" IPS	14"	0457-55-0712-34	13 1/2" to 14"
		3/4" IPS	14"	0457-55-0713-34	13 1/2" to 14"
1" CTS (1 1/8" OD)	.099/.101	3/8" IPS	14"	0857-55-0711-34	13 1/2" to 14"
		1/2" IPS	14"	0857-55-0712-34	13 1/2" to 14"
		3/4" IPS	14"	0857-55-0713-34	13 1/2" to 14"
		1" IPS	14"	0857-55-0714-34	13 1/2" to 14"
3/4" IPS	SDR-11 (.095)	3/8" IPS	14"	1357-55-0711-34	13 1/2" to 14"
		1/2" IPS	14"	1357-55-0712-34	13 1/2" to 14"
		3/4" IPS	14"	1357-55-0713-34	13 1/2" to 14"
		1" IPS	14"	1357-55-0714-34	13 1/2" to 14"
1" IPS	SDR-11 (.119)	1" IPS	14"	1457-55-0714-34	13 1/2" to 14"
1 1/4" IPS	SDR-10 (.166)	1" IPS	14"	1557-55-0714-34	13 1/2" to 14"
		1 1/4" IPS	14"	1557-55-0715-34	13 1/2" to 14"
	SDR-11 (.151)	1" IPS	14"	9957-55-0003-00	13 1/2" to 14"
		1 1/4" IPS	14"	9957-55-0001-00	13 1/2" to 14"
2" IPS	SDR-11 (.216)	1 1/4" IPS	14"	1757-55-0715-34	13 1/2" to 14"
		1 1/2" IPS	14"	1757-55-0716-34	13 1/2" to 14"
		2" IPS	14"	1757-55-0717-34	13 1/2" to 14"
		2 1/2" IPS	14"	1757-55-0718-34	13 1/2" to 14"
		3" IPS	14"	1757-55-0719-34	13 1/2" to 14"



For sizes not listed, contact Continental Industries.

Pressure rating—Designed to meet or exceed pressure rating of PE pipe per 49 CFR Part 192 and ASTM D2513.

Recommended accessories; Continental's Bladed Chamfering Tool. See page 30 for size combinations available.

## THE SCOPE® Expandable Repair Couplings (PE Fusion X PVC)



PE SIZE	WALL	PVC SOCKET	LENGTH	PART NUMBER (3408/4710)	PART NUMBER (2406/2708)	ACTUAL REPAIR LENGTH
1" IPS	SDR-11 (.119)	3/8" IPS	14"	9957-55-0007-00	9957-55-0021-00	13 1/2" to 14"
		1/2" IPS	14"	9957-55-0012-00	9957-55-0022-00	13 1/2" to 14"
		3/4" IPS	14"	9957-55-0008-00	9957-55-0017-00	13 1/2" to 14"
		1" IPS	14"	9957-55-0009-00	9957-55-0013-00	13 1/2" to 14"
1 1/4" IPS	SDR-10 (.166)	3/4" IPS	14"	9957-55-0023-00	9957-55-0019-00	13 1/2" to 14"
		1 1/4" IPS	14"	9957-55-0024-00	9957-55-0014-00	13 1/2" to 14"
	SDR-11 (.151)	1 1/4" IPS	14"	9957-55-0010-00	9957-55-0015-00	13 1/2" to 14"
2" IPS	SDR-11 (.216)	1 1/2" IPS	14"	9957-55-0025-00	9957-55-0020-00	13 1/2" to 14"
		2" IPS	14"	9957-55-0011-00	9957-55-0016-00	13 1/2" to 14"

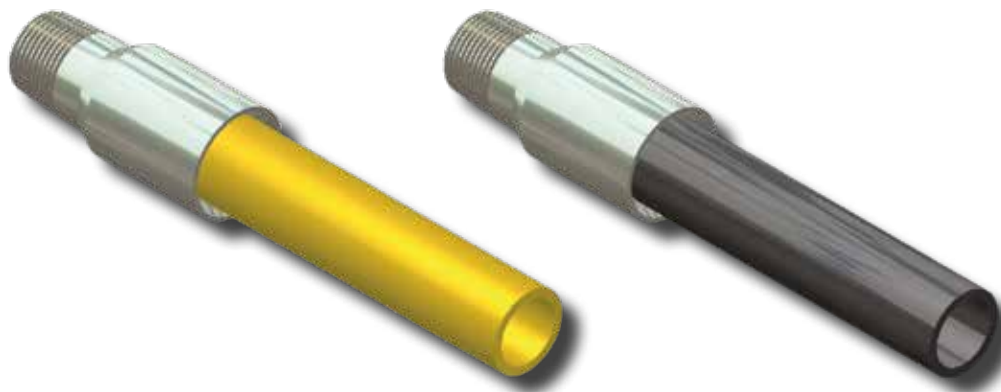
For sizes not listed, contact Continental Industries.

Pressure rating—Designed to meet or exceed pressure rating of PE pipe per 49 CFR Part 192 and ASTM D2513.



# PE X STEEL FITTINGS

## TRANSITION FITTINGS

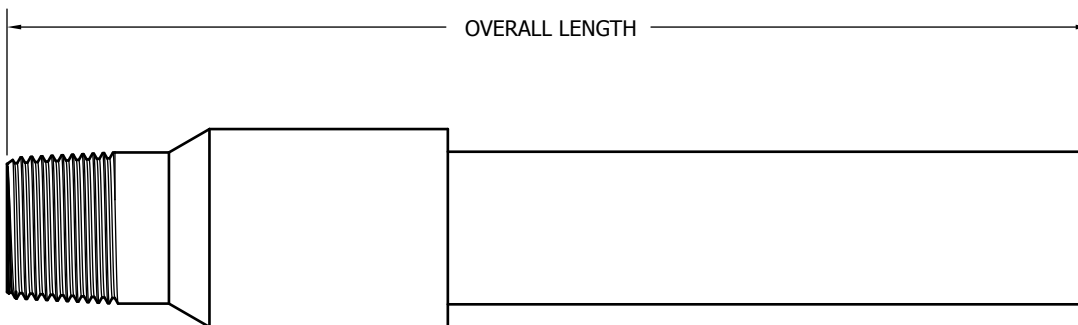


OUTLET (PE SIZE)	WALL	INLET	PART NUMBER 2406/2708	PART NUMBER 3408/4710	OVERALL LENGTH
1/2" CTS (5/8" OD)	.090	1/2" MPT	4646-00-1904-00†‡	4949-00-1904-00‡	14 3/8"
1" CTS (1 1/8" OD)	.099/.101	1" MPT	4646-00-1908-00†‡	4949-00-1908-00‡	14 3/4"
1/2" IPS	SDR-9.33 (.090)	3/4" MPT	4646-00-1912-00‡	4949-00-1912-00‡	14 11/32"
3/4" IPS	SDR-11 (.095)	3/4" MPT	4646-00-1913-00†‡	4949-00-1913-00‡	15"
1" IPS	SDR-11 (.119)	1" MPT	4646-00-1914-00†‡	4949-00-1914-00‡	16 1/8"
1 1/4" IPS	SDR-10 (.166)	1 1/4" MPT	4646-00-1915-00†‡	Not Available	16 1/16"
1 1/4" IPS	SDR-11 (.151)	1 1/4" MPT	4646-00-1915-0A†‡	4949-00-1915-0A‡	16 1/16"
1 1/2" IPS	SDR-11 (.171)	1 1/2" MPT	4646-00-1916-00†‡	4949-00-1916-00‡	16 5/16"
2" IPS	SDR-11 (.166)	2" MPT	4646-00-1917-00†‡	4949-00-1917-00‡	16 11/16"

For sizes not listed, contact Continental Industries.

Pressure rating—Designed to meet or exceed pressure rating of PE pipe per 49 CFR Part 192 and ASTM D2513.

† = CSA Approved / ‡ = IAPMO/UPC Listed





## CON-STAB ID SEAL® STEEL TRANSITION FITTINGS

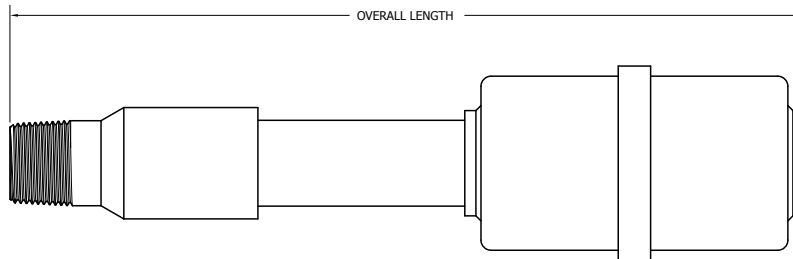
OUTLET (PE SIZE)	WALL	INLET	PART NUMBER 2406/2708	PART NUMBER 3408/4710	OVERALL LENGTH
1/2"CTS	.090	1/2"MPT	4646-00-1904-25†‡	4949-00-1904-25‡	16 9/16"
1"CTS (1 1/8" OD)	.099/.101	1"MPT	4646-00-1908-25†‡	4949-00-1908-25‡	16 15/16"
1/2"IPS	SDR-9.33 (.090)	3/4"MPT	4646-00-1912-25†‡	4949-00-1912-25‡	16 9/16"
3/4"IPS	SDR-11 (.095)	3/4"MPT	4646-00-1913-25†‡	4949-00-1913-25‡	17 3/16"
1"IPS	SDR-11 (.119)	1"MPT	4646-00-1914-25†‡	4949-00-1914-25‡	19 1/4"
1 1/4"IPS	SDR-10 (.166)	1 1/4"MPT	4646-00-1915-25†‡	Not Available	19 3/16"
1 1/4" IPS	SDR-11 (.151)	1 1/4" MPT	9946-00-0058-25†‡	9949-00-0001-25‡	19 3/16"
1 1/2"IPS	SDR-11 (.171)	1 1/2"MPT	4646-00-1916-25†‡	4949-00-1916-25‡	19 7/16"
2"IPS	SDR-11 (.166)	2"MPT	4646-00-1917-25†‡	4949-00-1917-25‡	19 13/16"



For sizes not listed, contact Continental Industries.

Pressure rating—Designed to meet or exceed pressure rating of PE pipe per 49 CFR Part 192 and ASTM D2513. Recommended accessories; Continental's Bladed Chamfering Tool. See page 30 for size combinations available.

† = CSA Approved / ‡ = IAPMO/UPC Listed



## CON-STAB ID SEAL® BRASS TRANSITION FITTINGS

OUTLET (PE SIZE)	WALL	INLET	PART NUMBER (3408/4710)
1/2" CTS (5/8" OD)	.090	1/2" MPT	9932-00-0002-00
		1/2" FPT	9932-00-0019-00
		3/4" MPT	9932-00-0004-00
		3/4" FPT	9932-00-0021-00
1" CTS (1 1/8" OD)	.099/.101	3/4" MPT	9932-00-0008-00
		3/4" FPT	9932-00-0025-00
		1" MPT	9932-00-0010-00
	.090	1" FPT	9932-00-0027-00
		3/4" MPT	9932-00-0007-00
		3/4" FPT	9932-00-0024-00
1/2" IPS	SDR-9.33 (.090)	1" MPT	9932-00-0009-00
		1" FPT	9932-00-0026-00
		1/2" MPT	9932-00-0013-00
		1/2" FPT	9932-00-0030-00
3/4" IPS	SDR-11 (.095)	3/4" MPT	9932-00-0014-00
		3/4" FPT	9932-00-0031-00
		1" MPT	9932-00-0015-00
		1" FPT	9932-00-0032-00
			9932-00-0016-00
			9932-00-0033-00



For sizes not listed, contact Continental Industries.

Pressure rating—Designed to meet or exceed pressure rating of PE pipe per 49 CFR Part 192 and ASTM D2513. Recommended accessories; Continental's Bladed Chamfering Tool. See page 30 for size combinations available.





# PE X STEEL FITTINGS

## CON-STAB ID SEAL® STEEL TRANSITION FITTINGS

OUTLET (PE SIZE)	WALL	INLET	PART NUMBER (3408/4710)
1/2" CTS (5/8" OD)	.090	1/2" MPT	0432-00-0912-00
		1/2" FPT	0432-00-1512-00
		3/4" MPT	0432-00-0913-00
		3/4" FPT	0432-00-1513-00
		3/4" BUTT WELD	0432-00-0613-00
1" CTS (1 1/8" OD)	.099/.101	3/4" MPT	0832-00-0913-00
		3/4" FPT	0832-00-1513-00
		1" MPT	0832-00-0914-00
		1" FPT	0832-00-1514-00
		3/4" BUTT WELD	0832-00-0613-00
	.090	3/4" MPT	0832-00-0913-A0
		3/4" FPT	0832-00-1513-A0
		1" MPT	0832-00-0914-A0
		1" FPT	0832-00-1514-A0
		3/4" BUTT WELD	0832-00-0613-A0
1/2" IPS	SDR-9.33 (.090)	1/2" MPT	1232-00-0912-00
		1/2" FPT	1232-00-1512-00
		3/4" MPT	1232-00-0913-00
		3/4" FPT	1232-00-1513-00
3/4" IPS	SDR-11 (.095)	3/4" MPT	1332-00-0913-00
		3/4" FPT	1332-00-1513-00
		1" MPT	1332-00-0914-00
		1" FPT	1332-00-1514-00
		3/4" BUTT WELD	1332-00-0613-00

For sizes not listed, contact Continental Industries.  
 Pressure rating—Designed to meet or exceed pressure rating of PE pipe per 49 CFR Part 192 and ASTM D2513.  
 Recommended accessories; Continental's Bladed Chamfering Tool. See page 28 for size combinations available.





## STEEL ADAPTER COUPLINGS PE Compression x Male Pipe Thread

PE SIZE	WALL	MPT	PART NUMBER
1/4" CTS (3/8" OD)	.062	1/2"	0242-00-0912-00
		3/4"	0242-00-0913-00
1/2" CTS (5/8" OD)	.090	1/2"	0442-00-0912-00†
		3/4"	0442-00-0913-00†
		1"	0442-00-0914-00†
	.062	1/2"	0442-00-0912-A0
		3/4"	0442-00-0913-A0
		1"	0442-00-0914-A0
3/4" CTS (7/8" OD)	.090	1/2"	0642-00-0912-00
		3/4"	0642-00-0913-00†
		1"	0642-00-0914-00†
1" CTS (1 1/8" OD)	.099/.101	3/4"	0842-00-0913-00†
		1"	0842-00-0914-00†
		1 1/4"	0842-00-0915-00†
	.090	3/4"	0842-00-0913-A0
		1"	0842-00-0914-A0
		1 1/4"	0842-00-0915-A0
1/2" IPS	SDR-9.33 (.090)	1/2"	1242-00-0912-00
		3/4"	1242-00-0913-00†
		1"	1242-00-0914-00†
3/4" IPS	SDR-11 (.095)	3/4"	1342-00-0913-00†
		1"	1342-00-0914-00
		1 1/4"	1342-00-0915-00
1" IPS	SDR-11 (.119)	3/4"	1442-00-0913-00
		1"	1442-00-0914-00
1 1/4" IPS	SDR-10 (.166)	1"	1542-00-0914-00
		1 1/4"	1542-00-0915-00
	SDR-11 (.151)	1"	1542-00-0914-A0
		1 1/4"	1542-00-0915-A0



For sizes not listed, contact Continental Industries.  
Pressure rating—Designed to meet or exceed pressure rating of PE pipe per 49 CFR Part 192 and ASTM D2513.  
† = CSA Approved

## STEEL ADAPTER COUPLINGS PE Compression x Female Pipe Thread

PE SIZE	WALL	FPT	PART NUMBER
1/4" CTS (3/8" OD)	.062	1/2"	0242-00-1512-00
		3/4"	0242-00-1513-00
1/2" CTS (5/8" OD)	.090	1/2"	0442-00-1512-00
		3/4"	0442-00-1513-00
		1"	0442-00-1514-00
	.062	1/2"	0442-00-1512-A0
		3/4"	0442-00-1513-A0
		1"	0442-00-1514-A0
3/4" CTS (7/8" OD)	.090	1/2"	0642-00-1512-00
		3/4"	0642-00-1513-00
		1"	0642-00-1514-00
1" CTS (1 1/8" OD)	.099/.101	3/4"	0842-00-1513-00
		1"	0842-00-1514-00
		1 1/4"	0842-00-1515-00
	.090	3/4"	0842-00-1513-A0
		1"	0842-00-1514-A0
		1 1/4"	0842-00-1515-A0
1/2" IPS	SDR-9.33 (.090)	1/2"	1242-00-1512-00
		3/4"	1242-00-1513-00
		1"	1242-00-1514-00
3/4" IPS	SDR-11 (.095)	3/4"	1342-00-1513-00
		1"	1342-00-1514-00
		1 1/4"	1342-00-1515-00
1" IPS	SDR-11 (.119)	3/4"	1442-00-1513-00
		1"	1442-00-1514-00
1 1/4" IPS	SDR-10 (.166)	1 1/4"	1542-00-1515-00
		SDR-11 (.151)	1 1/4"



For sizes not listed, contact Continental Industries.  
Pressure rating—Designed to meet or exceed pressure rating of PE pipe per 49 CFR Part 192 and ASTM D2513.



## STEEL ADAPTER COUPLINGS PE Compression x Butt Weld

PE SIZE	WALL	Butt Weld	PART NUMBER
1/4" CTS (3/8" OD)	.062	1/2"	0242-00-0612-00
		3/4"	0242-00-0613-00
1/2" CTS (5/8" OD)	.090	3/4"	0442-00-0613-00†
	.062	3/4"	0442-00-0613-A0
3/4" CTS (7/8" OD)	.090	3/4"	0642-00-0613-00†
		1"	0642-00-0614-00†
1" CTS (1 1/8" OD)	.099/.101	3/4"	0842-00-0613-00
	.090	3/4"	0842-00-0613-A0
1/2" IPS	SDR-9.33 (.090)	3/4"	1242-00-0613-00†
		1"	1242-00-0614-00†
3/4" IPS	SDR-11 (.095)	3/4"	1342-00-0613-00
1" IPS	SDR-11 (.119)	1"	1442-00-0614-00
1 1/4" IPS	SDR-10 (.166)	1 1/4"	1542-00-0615-00
		2"	1542-00-0617-00
	SDR-11 (.151)	1 1/4"	1542-00-0615-A0
		2"	1542-00-0617-A0



For sizes not listed, contact Continental Industries.  
 Pressure rating—Designed to meet or exceed pressure rating of PE pipe per 49 CFR Part 192 and ASTM D2513.  
 † = CSA Approved

## STEEL ADAPTER COUPLINGS PE Compression x Plain End

PE SIZE	WALL	Plain End	PART NUMBER
1/4" CTS (3/8" OD)	.062	1/2"	0242-00-0812-00
1/2" CTS (5/8" OD)	.090	1/2"	0442-00-0812-00†
		3/4"	0442-00-0813-00†
		1"	0442-00-0814-00†
	.062	1/2"	0442-00-0812-A0
		3/4"	0442-00-0813-A0
		1"	0442-00-0814-A0
3/4" CTS (7/8" OD)	.090	1/2"	0642-00-0812-00
		3/4"	0642-00-0813-00†
		1"	0642-00-0814-00†
1" CTS (1 1/8" OD)	.099/.101	3/4"	0842-00-0813-00†
		1"	0842-00-0814-00†
		1 1/4"	0842-00-0815-00†
	.090	3/4"	0842-00-0813-A0
		1"	0842-00-0814-A0
		1 1/4"	0842-00-0815-A0
1/2" IPS	SDR-9.33 (.090)	1/2"	1242-00-0812-00
		3/4"	1242-00-0813-00†
		1"	1242-00-0814-00†
3/4" IPS	SDR-11 (.095)	3/4"	1342-00-0813-00
		1"	1342-00-0814-00†
		1 1/4"	1342-00-0815-00
1" IPS	SDR-11 (.119)	1"	1442-00-0814-00



For sizes not listed, contact Continental Industries.  
 Pressure rating—Designed to meet or exceed pressure rating of PE pipe per 49 CFR Part 192 and ASTM D2513.  
 † = CSA Approved



## STEEL ADAPTER COUPLINGS

### PE Compression x Steel Tube or Pipe (Conductive) Compression

PE SIZE	WALL	STEEL TUBE OR PIPE SIZE	PART NUMBER
1/2" CTS (5/8" OD)	.090	1/2" OD	0326-00-1004-00
		5/8" OD	0426-00-1004-00
		3/4" IPS	1327-00-1004-00
		1" IPS	1427-00-1004-00
		1 1/4" IPS	1527-00-1004-00
3/4" CTS (7/8" OD)	.090	3/4" IPS	1340-00-1006-00
		1" IPS	1427-00-1006-00
		1 1/4" IPS	1527-00-1006-00
1" CTS (1 1/8" OD)	.099/.101	3/4" IPS	1327-00-1008-00
		1" IPS	1427-00-1008-00
		1 1/4" IPS	1527-00-1008-00
1/2" IPS	SDR-9.3 (.090)	1/2" OD	0326-00-1012-00
		3/4" IPS	1327-00-1012-00
		1" IPS	1427-00-1012-00
		1 1/4" IPS	1527-00-1012-00
3/4" IPS	SDR-11 (.095)	1/2" OD	0326-00-1013-00
		5/8" OD	0426-00-1013-00
		3/4" IPS	1327-00-1013-00
		1" IPS	1427-00-1013-00
1" IPS	SDR-11 (.119)	1 1/4" IPS	1527-00-1013-00
		1" IPS	1427-00-1014-00
1 1/4" IPS	SDR-10 (.166)	1 1/4" IPS	1540-00-1015-00
		5/8" OD	0426-00-1015-00
		1 1/4" IPS	1527-00-1015-00



For sizes not listed, contact Continental Industries.

Pressure rating—Designed to meet or exceed pressure rating of PE pipe per 49 CFR Part 192 and ASTM D2513.

## STEEL ADAPTER 3-WAY TEES

### PE Compression x Steel Tube or Pipe (Conductive) Compression

STEEL TUBE OR PIPE SIZE	PE SIZE	WALL	PART NUMBER
1/2" OD	1/2" CTS (5/8" OD)	.090	0039-00-0023-00
5/8" OD			0039-99-0015-00

For sizes not listed, contact Continental Industries.

Pressure rating—Designed to meet or exceed pressure rating of PE pipe per 49 CFR Part 192 and ASTM D2513.





## STEEL ADAPTER 3-WAY TEES PE Compression x Male Pipe Thread

PE SIZE	WALL	FPT	MPT	BRANCH MPT	PART NUMBER
1/2" CTS (5/8" OD)	.090	3/4"	3/4"	3/4"	9939-99-0004-00
1" CTS (1 1/8" OD)	.099/.101	1 1/4"	3/4"	3/4"	9939-99-0006-00
		1 1/4"	1 1/4"	3/4"	9939-99-0005-00

For sizes not listed, contact Continental Industries.

Pressure rating—Designed to meet or exceed pressure rating of PE pipe per 49 CFR Part 192 and ASTM D2513.



## SERVICE HEAD ADAPTERS PE Compression x Male Pipe Thread x Female Pipe Thread

PE SIZE	WALL	MPT	FPT	PART NUMBER	PART NUMBER (Zinc Plated)
1/4" CTS (3/8" OD)	.062	3/4"	3/4"	9942-00-0187-00	
1/2" CTS (5/8" OD)	.090	1/2"	3/4"	0442-00-0912-05	0442-95-0912-05
		3/4"	3/4"	0442-00-0913-05‡	9942-99-0089-00
		3/4"	1"	0442-00-0913-06	0442-95-0913-06
		1"	3/4"	0442-00-0914-05	0442-95-0914-05
		1"	1"	0442-00-0914-06	0442-95-0914-06
3/4" CTS (7/8" OD)	.090	1 1/4"	3/4"	0442-00-0915-05	0442-95-0915-05
		3/4"	1"	0642-00-0913-06	0642-95-0913-06
		1"	1"	0642-00-0914-06	0642-95-0914-06
1" CTS (1 1/8" OD)	.099/.101	1"	1 1/4"	0642-00-0914-07	0642-95-0914-07
		1 1/4"	1 1/4"	0642-00-0914-07	0642-95-0914-07
	.090	3/4"	1 1/4"	0842-00-0913-07‡	0842-95-0913-07
		1 1/4"	1 1/4"	0842-00-0914-07	0842-95-0914-07
1/2" IPS	SDR-9.33 (.090)	1 1/4"	1 1/4"	0842-00-0915-07	0842-95-0915-07
		3/4"	1 1/4"	9942-00-0184-00	9942-00-0200-00
		1"	1 1/4"	9942-00-0199-00	9942-00-0201-00
3/4" IPS	SDR-11 (.095)	1 1/4"	1 1/4"	9942-00-0185-00	9942-00-0116-00
		3/4"	1"	1242-00-0913-06	1242-95-0913-06
		1"	1"	1242-00-0914-06	1242-95-0914-06
3/4" IPS	SDR-11 (.095)	1 1/4"	1"	1242-00-0915-06	1242-95-0915-06
		3/4"	1 1/4"	1342-00-0913-07‡	1342-95-0913-07
		1"	1 1/4"	1342-00-0914-07	1342-95-0914-07
		1 1/4"	1 1/4"	1342-00-0915-07	1342-95-0915-07



For sizes not listed, contact Continental Industries.

Pressure rating—Designed to meet or exceed pressure rating of PE pipe per 49 CFR Part 192 and ASTM D2513.

‡ = IAPMO/UPC Listed



# PE X COPPER FITTINGS



## CON-STAB ID SEAL® PE Stab x Copper Transition Couplings

PE SIZE	WALL	COPPER TUBE SIZE	PART NUMBER (3408/4710)
1/2" CTS (5/8" OD)	.090	1/4" OD	9943-99-0062-00
		3/8" OD	9943-99-0063-00
		1/2" OD	9943-99-0064-00
		5/8" OD	9943-99-0065-00
3/4" IPS	SDR-11 (.095)	5/8" OD	9943-99-0066-00



For sizes not listed, contact Continental Industries.  
 Pressure rating—Designed to meet or exceed pressure rating of PE pipe per 49 CFR Part 192 and ASTM D2513.  
 Recommended accessories; Continental's Bladed Chamfering Tool. See page 30 for size combinations available.  
 45° Copper Flare made in accordance with SAE J513.  
 Forged Flare nut made to ASTM B 283.

## COMPRESSION FITTINGS PE Compression x Copper Adapter Couplings

PE SIZE	WALL	COPPER TUBE SIZE	PART NUMBER
1/2" CTS (5/8" OD)	.090	3/8" OD	9957-48-0057-00
	.062		9957-48-0058-00
1/2" CTS (5/8" OD)	.090	5/8" OD	9957-48-0054-00
	.062		9957-48-0059-00



For sizes not listed, contact Continental Industries.  
 Pressure rating—Designed to meet or exceed pressure rating of PE pipe per 49 CFR Part 192 and ASTM D2513.

## STEEL COMPRESSION FITTINGS PE Compression x Copper Adapter Couplings

PE SIZE	WALL	COPPER TUBE SIZE	PART NUMBER
1/2" CTS (5/8" OD)	.090	1/2" OD	0343-00-1004-00
		5/8" OD	0443-00-1004-00
3/4" CTS (7/8" OD)	.090	5/8" OD	0443-00-1006-00
1" CTS (1 1/8" OD)	.099/.101	5/8" OD	0443-00-1008-00
1/2" IPS	SDR-9.3 (.090)	1/2" OD	0343-00-1012-00
		5/8" OD	0443-00-1012-00
3/4" IPS	SDR-11 (.095)	1/2" OD	0343-00-1013-00
		5/8" OD	0443-00-1013-00
1" IPS	SDR-11 (.119)	5/8" OD	0443-00-1014-00
1 1/4" IPS	SDR-10 (.166)	5/8" OD	0443-00-1015-00



For sizes not listed, contact Continental Industries.  
 Pressure rating—Designed to meet or exceed pressure rating of PE pipe per 49 CFR Part 192 and ASTM D2513.



# STEEL X STEEL FITTINGS

## STEEL ADAPTER COUPLINGS

### Steel Tube or Pipe (Conductive) Compression x Male Pipe Thread

STEEL TUBE OR PIPE SIZE	MPT	PART NUMBER
1/2" OD	1/2"	0343-00-0912-00
	3/4"	0343-00-0913-00
	1"	0343-00-0914-00
5/8" OD	1/2"	0443-00-0912-00
	3/4"	0443-00-0913-00
	1"	0443-00-0914-00
3/4" IPS	3/4"	1340-00-0913-00
1" IPS	3/4"	1440-00-0913-00
	1"	1440-00-0914-00
1 1/4" IPS	3/4"	1540-00-0913-00
	1"	1540-00-0914-00
	1 1/4"	1540-00-0915-00

For sizes not listed, contact Continental Industries.  
Conductive Compression Outlets rated at 300 psig.



## STEEL ADAPTER COUPLINGS

### Steel Tube or Pipe (Conductive) Compression x Female Pipe Thread

STEEL TUBE OR PIPE SIZE	FPT	PART NUMBER
1/2" OD	1/2"	0343-00-1512-00
	3/4"	0343-00-1513-00
	1"	0343-00-1514-00
5/8" OD	1/2"	0443-00-1512-00
	3/4"	0443-00-1513-00
	1"	0443-00-1514-00
3/4" IPS	3/4"	1340-00-1513-00
1" IPS	1"	1440-00-1514-00
1 1/4" IPS	1 1/4"	1540-00-1515-00

For sizes not listed, contact Continental Industries.  
Conductive Compression Outlets rated at 300 psig.



## STEEL ADAPTER COUPLINGS

### Steel Tube or Pipe (Conductive) Compression x Butt Weld

STEEL TUBE OR PIPE SIZE	BUTT WELD	PART NUMBER
1/2" OD	3/4"	0343-00-0613-00
5/8" OD	3/4"	0443-00-0613-00

For sizes not listed, contact Continental Industries.  
Conductive Compression Outlets rated at 300 psig.





## STEEL ADAPTER COUPLINGS

### Steel Tube or Pipe (Conductive) Compression x Plain End

STEEL TUBE OR PIPE SIZE	Plain End	PART NUMBER
1/2" OD	1/2"	0343-00-0812-00
5/8" OD	1/2"	0443-00-0812-00
	3/4"	0443-00-0813-00
	1"	0443-00-0814-00
	1 1/4"	0443-00-0815-00
3/4" IPS	3/4"	1340-00-0813-00
	1"	1340-00-0814-00
1" IPS	1"	1440-00-0814-00

For sizes not listed, contact Continental Industries.  
Conductive Compression Outlets rated at 300 psig.



## STEEL COMPRESSION COUPLINGS

### Steel Tube or Pipe (Conductive) Compression Full Couplings

STEEL TUBE OR PIPE SIZE	PART NUMBER
1/2" OD	0343-00-1303-00
5/8" OD	0443-00-1304-00
3/4" IPS	1340-00-0413-00
1" IPS	1440-00-0414-00
1 1/4" IPS	1540-00-0415-00

For sizes not listed, contact Continental Industries.  
Conductive Compression Outlets rated at 300 psig.



## STEEL COMPRESSION COUPLINGS

### Steel Tube or Pipe (Conductive) Compression Reducer Couplings

STEEL TUBE OR PIPE SIZE	STEEL TUBE OR PIPE SIZE	PART NUMBER
5/8" OD	1/2" OD	0443-00-1303-00
3/4" IPS	1/2" OD	0343-00-0413-00
1" IPS	3/4" IPS	1440-00-0413-00
1 1/4" IPS	5/8" OD	0443-00-0415-00

For sizes not listed, contact Continental Industries.  
Conductive Compression Outlets rated at 300 psig.



## STEEL COMPRESSION FITTINGS

### Steel Tube or Pipe (Conductive) Compression 3-Way Tees

STEEL TUBE OR PIPE SIZE	PART NUMBER
1/2" OD	0039-00-1303-00
5/8" OD	0039-00-1304-00
3/4" IPS	0039-00-1313-00
1" IPS	0039-00-1314-00

For sizes not listed, contact Continental Industries.  
Conductive Compression Outlets rated at 300 psig.





## BY-PASS ADAPTERS

### Male Pipe Thread x Female Pipe Thread x Male Pipe Thread

RUN MPT	RUN FPT	BRANCH MPT	PART NUMBER
3/4"	3/4	3/4"	9939-99-0009-00
1 1/4"	1 1/4"	3/4"	9939-99-0008-00
	1 1/4"	1"	9939-99-0010-00
2"	2"	1"	9939-99-0011-00

For sizes not listed, contact Continental Industries.



## PVC SUPPORT CLAMPS for PE Pipe after squeeze off (4 Bolt Style)

PIPE SIZE	LENGTH	PART NUMBER
5/8" OD	4"	2937-04-0000-00
7/8" OD	4"	2937-06-0000-00
1 1/8" OD	4"	2937-08-0000-00
1/2" IPS	4"	2937-12-0000-00
3/4" IPS	4"	2937-13-0000-00
1" IPS	4"	2937-14-0000-00
1 1/4" IPS	4"	2937-15-0000-00
1 1/2" IPS	4"	2937-16-0000-00
2" IPS	4"	2937-17-0000-00
2 1/2" IPS	3 1/2"	2937-18-0000-00
3" IPS	3 1/2"	2937-19-0000-00
4" IPS	3 1/2"	2937-21-0000-00
6" IPS	3 1/2"	2937-24-0000-00
8" IPS	3 1/2"	9937-99-0008-00†

For sizes not listed, contact Continental Industries

† 8" IPS Support Clamps are made from Polyamide resin



## PVC SUPER SUPPORT CLAMPS for PE Pipe after squeeze off (6 Bolt Style)

PIPE SIZE	LENGTH	PART NUMBER
2" IPS	6"	2937-17-0606-00
3" IPS	6"	2937-19-0606-00
4" IPS	6"	2937-21-0606-00
6" IPS	6"	2937-24-0606-00

• For sizes not listed, contact Continental Industries





## ID CHAMFERING TOOLS

### To Be Used With Con-Stab ID Seal® Fittings

CATALOG NO.	DESCRIPTION
<b>DOUBLE ENDED ID CHAMFER TOOLS</b>	
0000-33-5647-00	1/2" IPS X 1/2" CTS (5/8" OD)
0000-33-5481-00	3/4" IPS X 1/2" CTS (5/8" OD)
0000-33-5652-00	3/4" IPS X 1/2" IPS
0000-33-5651-00	3/4" CTS (7/8" OD) X 1/2" CTS (5/8" OD)
0000-33-5609-00	3/4" CTS (7/8" OD) X 1/2" IPS
0000-33-5480-00	1" CTS (1 1/8" OD) X 1/2" CTS (5/8" OD)
0000-33-5963-00	1" CTS (1 1/8" OD) X 1/2" IPS
0000-33-5763-00	1" CTS (1 1/8" OD) X 3/4" CTS (7/8" OD)
0000-33-5589-00	1" CTS (1 1/8" OD) X 3/4" IPS
0000-33-5514-00	1" IPS X 1/2" CTS (5/8" OD)
0000-33-5516-00	1" IPS X 3/4" IPS
0000-33-5606-00	1" IPS X 1" CTS (1 1/8" OD)
0000-33-5515-00	1 1/4" CTS (1 3/8" OD) X 1/2" CTS (5/8" OD)
0000-33-5798-00	1 1/4" CTS (1 3/8" OD) X 3/4" IPS
0000-33-5631-00	1 1/4" CTS (1 3/8" OD) X 1" CTS (1 1/8" OD)
0000-33-6572-00	1 1/4" CTS (1 3/8" OD) X 1" IPS
<b>ID CHAMFER TOOLS WITH GAUGE</b>	
0000-33-6580-04	1/2" CTS (5/8" OD) .090 WALL
0000-33-6580-02	1" CTS (1 1/8" OD) .090 WALL
0000-33-6580-06	3/4" CTS (7/8" OD) .090 WALL
0000-33-6580-08	1" CTS (1 1/8" OD) .099/.101 WALL
0000-33-6580-12	1/2" IPS SDR-9.3
0000-33-6580-13	3/4" IPS SDR-11
0000-33-6580-14	1" IPS SDR-11
0000-33-6580-03	1 1/4" CTS (1 3/8" OD) .090 WALL
0000-33-6580-10	1 1/4" IPS SDR-11 (.151 WALL)
0000-33-6580-15	1 1/4" IPS SDR-10 (.166 WALL)
0000-33-6580-09	1 1/4" IPS SDR-9.3 (.178 WALL)
0000-38-6580-16	1 1/2" IPS SDR-11
0000-33-6580-17	2" IPS SDR-11



DOUBLE ENDED ID CHAMFER TOOL



ID CHAMFER TOOL W/ GAUGE

## COMPRESSION STYLES



Compression Style Fitting For PE Pipe  
(Lock Type Compression Shown)



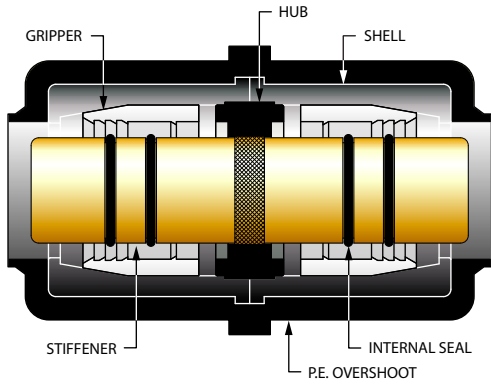
Compression Style Fitting For Steel Pipe  
(Standard Compression Shown)

Compression Style Fittings for PE Pipe — Compression style fittings for PE pipe are designed with a built in stiffener concept and are to be used with PE pipe manufactured to ASTM D-2513 specifications. Two basic designs are supplied; the lock type positive bottoming for controlled compression and the standard compression which requires controlled torquing to proper compression. Refer to the instructions given with each fitting for proper installation.

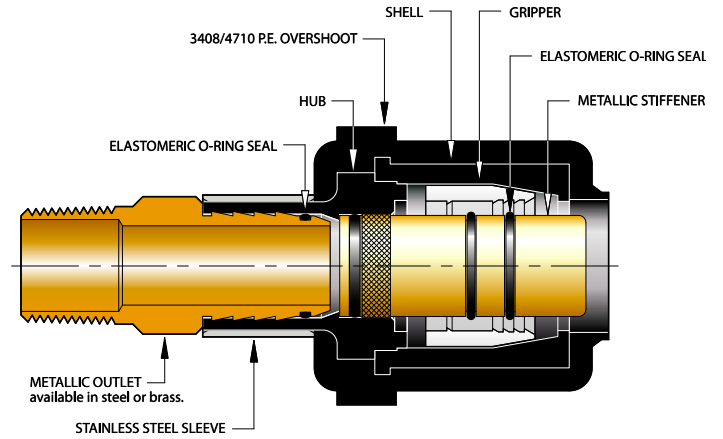
Compression Style Fittings for Steel Pipe — Two basic designs are supplied; the lock type and standard compression. Lock type compression is positive bottoming for controlled compression and the standard compression requires controlled torquing for proper compression. Refer to the instructions given with each fitting for proper installation.



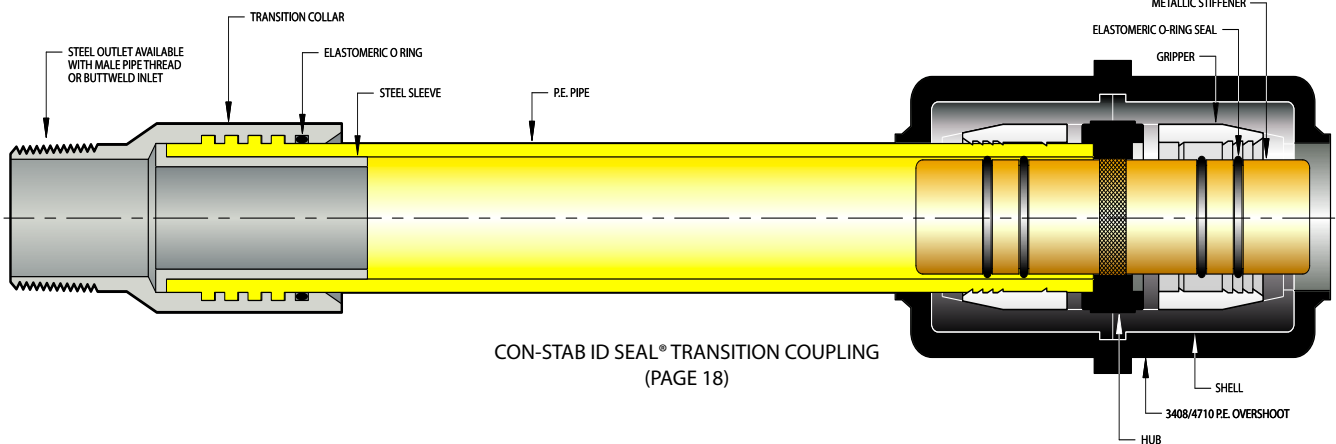
## TYPICAL ASSEMBLIES



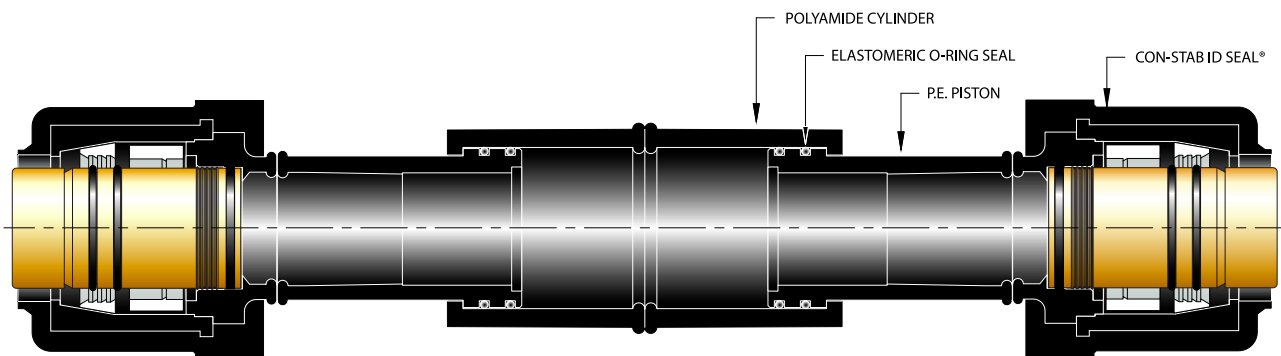
CON-STAB ID SEAL®  
FULL COUPLING  
(PAGE 3)



CON-STAB ID SEAL® BRASS TRANSITION COUPLING  
(PAGE 18)



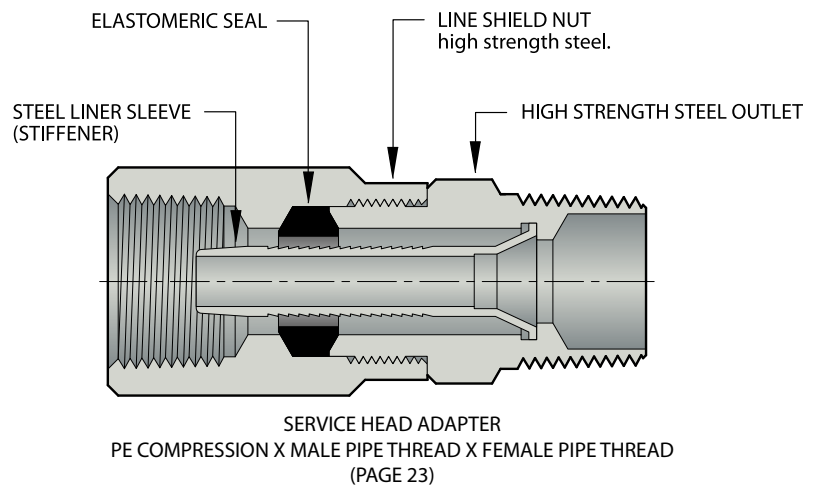
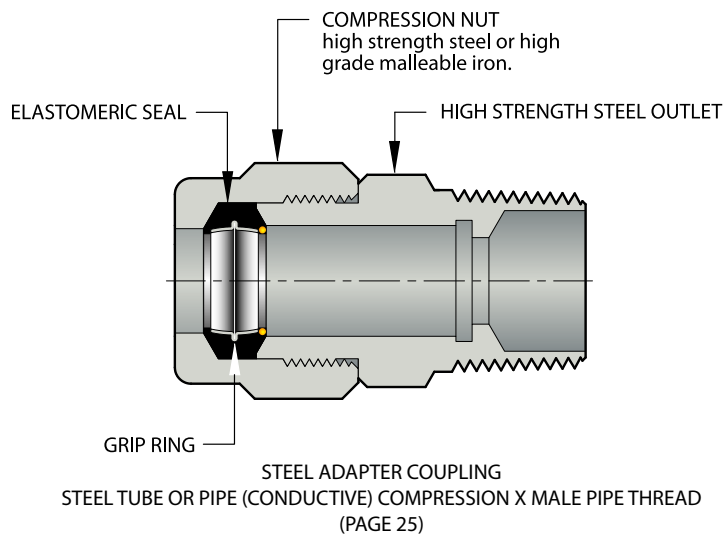
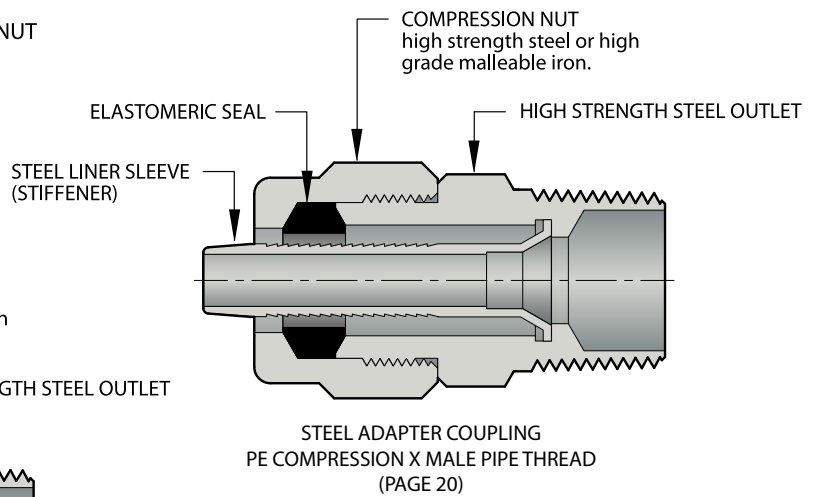
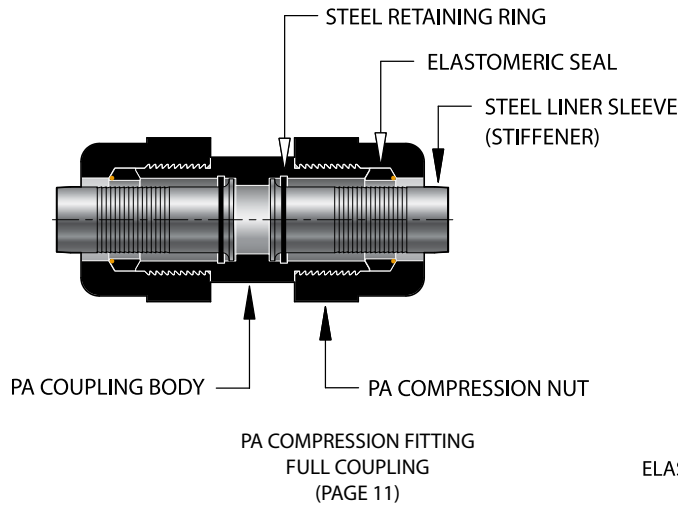
CON-STAB ID SEAL® TRANSITION COUPLING  
(PAGE 18)



THE SCOPE®  
EXPANDABLE REPAIR COUPLING  
(PAGE 10)



## TYPICAL ASSEMBLIES



For Cathodic Protection Solutions, Contact thermOweld®



## Your Ultimate Connection

No other single manufacturer can offer the variety of repair fittings that Continental Industries provides. Whether you need to connect PE to PE, PE to PVC, PE to Steel, PE to Copper or Steel to Steel, chances are Continental has one to do the job.





**Gas Connectors & Accessories**

# Continental Industries

**Superior Quality**

**Superior Service**

**Superior Selection**



**1140 North 129th East Ave. Tulsa OK 74116**

**Phone: 918-627-5210**

**Fax: 918-6221275**

**[www.conind.com](http://www.conind.com)**

0000-99-1048-00 ECN 2716 REV"Y" 01/17



**GasBreaker.**

**[www.hubbell.com](http://www.hubbell.com)**

