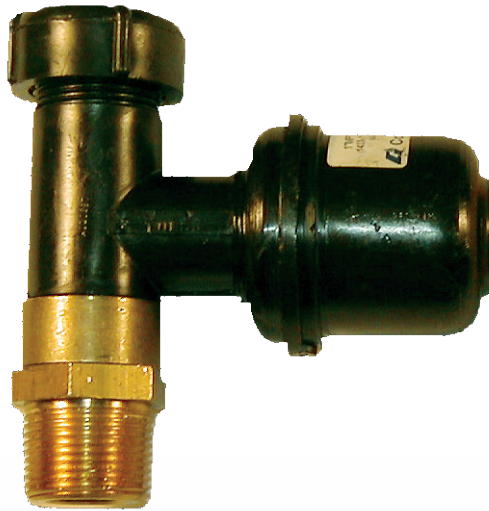




**Gas Connectors & Accessories**

# Continental Industries



## POLYETHYLENE VALVE TEE

The Continental Industries polyethylene valve tee provides a new efficient method of attaching services to metallic mains. The polyethylene valve tee can be attached to any size metallic main through standard drill and tap operations. The valve tee incorporates corrosion resistant materials (brass and polyethylene). The innovative design provides a low profile tee which makes it less vulnerable to damage. Each valve tee utilizes an threaded internal plug for gas shut off and a brass base that can be swivelled 360° to simplify the connection to the service. The valve tee design has been tested to meet or exceed all D.O.T. and ASTM requirements and can be operated at 75 psig. All of these features combine to provide the most cost effective method for attaching polyethylene services to metallic mains.

- Available with a Con-Stab I.D. Seal® or butt fusion outlet
- Corrosion resistant
- Meets or exceeds all D.O.T. and ASTM requirements
- Can be rotated 360° after being installed on main
- Assembled ready to install.
- Can withstand 150 psi air test with no leak to the main.

99-1009-00 10-17



[www.hubbell.com](http://www.hubbell.com)

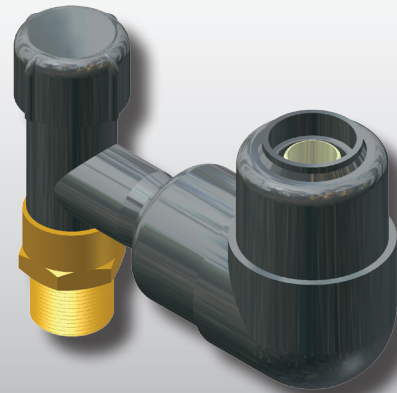


**Gas Connectors & Accessories**

# Continental Industries

## PE VALVE TEE For Use On Metallic Mains

OUTLET (PE SIZE)	WALL	INLET SIZE	PART NUMBER (3408/4710)
1/2" CTS (5/8" OD)	.090	3/4"	1332-11-1604-00
		1"	1432-11-1604-00
		1 1/4"	1532-11-1604-00
		1 1/2"	1632-11-1604-00
3/4" CTS (7/8" OD)	.090	3/4"	1332-11-1606-00
		1"	1432-11-1606-00
		1 1/4"	1532-11-1606-00
		1 1/2"	1632-11-1606-00
1" CTS (1 1/8" OD)	.099/.101	3/4"	1332-11-1608-00
		1"	1432-11-1608-00
		1 1/4"	1532-11-1608-00
		1 1/2"	1632-11-1608-00
	.090	3/4"	1332-11-1608-0A
		1"	1432-11-1608-0A
		1 1/4"	1532-11-1608-0A
		1 1/2"	1632-11-1608-0A
1 1/4" CTS (1 3/8" OD)	.090	3/4"	1332-11-1639-0A
		1"	1432-11-1639-0A
		1 1/4"	1532-11-1639-0A
		1 1/2"	1632-11-1639-0A
1/2" IPS	SDR-9.33 (.090)	3/4"	1332-11-1612-00
		1"	1432-11-1612-00
		1 1/4"	1532-11-1612-00
		1 1/2"	1632-11-1612-00
3/4" IPS	SDR-11 (.095)	3/4"	1332-11-1613-00
		1"	1432-11-1613-00
		1 1/4"	1532-11-1613-00
		1 1/2"	1632-11-1613-00
1" IPS	SDR-11 (.119)	3/4"	1332-11-1614-00
		1"	1432-11-1614-00
		1 1/4"	1532-11-1614-00
		1 1/2"	1632-11-1614-00



Contact Continental Industries about PE Valve Tees with a Con-Stab ID Seal® Swing Joint.

For sizes not listed, contact Continental Industries.  
 PE Valve Tees rated at 75 psig.  
 Recommended accessories; Continental's Bladed Chamfering Tool.  
 See page 30 for size combinations available. For Protective Sleeves, see page 32.

99-1009-00 10-17



www.hubbell.com