

No cord, no problem!

Transform any space into a convenient charging zone

Bryant's Qi certified wireless chargers deliver a new convenience: you no longer have to deal with cords or poor connections while charging your devices.

Designed to be aesthetically pleasing and durable, this device will organize your workplace or home, seamlessly transforming any ordinary space or counter into a organized, accessible "drop zone" to charge multiple devices at once.

Bryant wireless chargers are ideal for use in commercial buildings, universities, hotels, offices, airports, restaurants, home renovations and new residential construction.

Features

- Spill water tested
- Qi certified
- Easy single gang installation
- Two inductive coils for optimum target area
- 7.5W capacity wireless output
- LED indication: green for power, blue when charging
- cULus listed and FCC listed

Applications

- Offices
- Workstations
- Kitchens
- Bedrooms
- Dormitories



SINGLE PHONE CHARGER



USB COMBINATION PHONE CHARGER

Wireless wall mount chargers



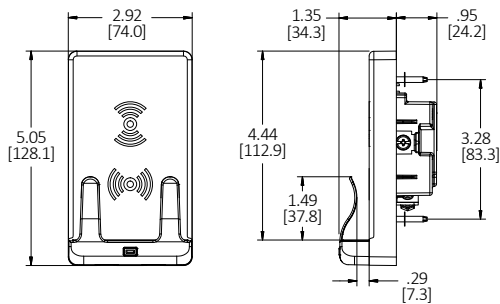
ORDERING INFORMATION

Description	Color	Rating	Receptacle	Catalog Number
Wireless wall mount phone charger	White	Coil: 7.5 watt inductive, 125 volt input	-	USBB1518
USB combination wireless wall mount phone charger, inductive coil with USB Type A&C ports and tamper-resistant receptacle, USB ports rated for 10,000 cycles	White	Coil: 7.5 watt inductive, USB: 5A 5V DC	15A 125V	USBB1528AC
			20A 125V	USBB2028AC

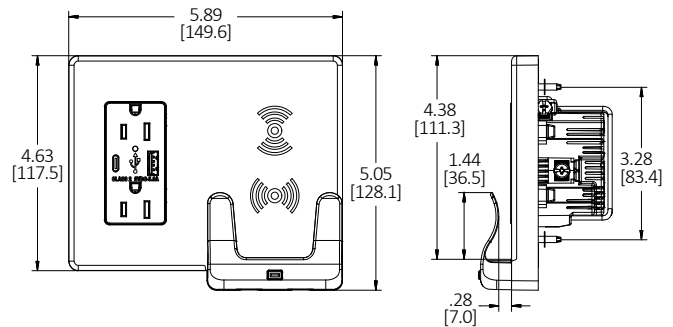


DIMENSIONS

Single Wireless Phone Charger



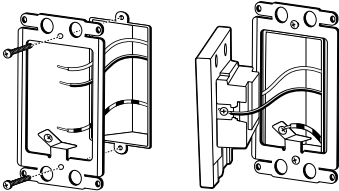
USB Combination Wireless Phone Charger



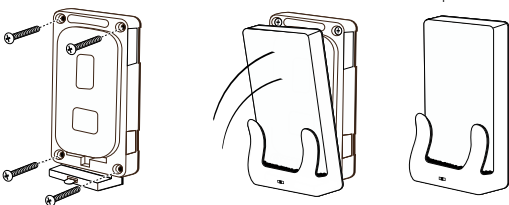
INSTALLATION

Single Wireless Phone Charger

1. Mount bracket
2. Terminate wires

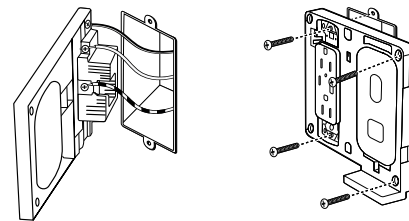


3. Screw on subplate
 4. Snap on wallplate
- No cord, no problem!

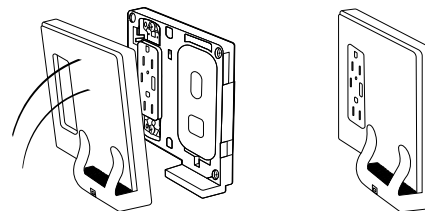


USB Combination Wireless Phone Charger

1. Terminate wires
2. Screw on subplate



3. Snap on wallplate
- No cord, no problem!



www.hubbell.com/bryant

