



HOSPITAL GRADE

GFCI Receptacles

The hospital grade GFR series is built specifically to withstand the rigors of hospital environments. These ground fault receptacles feature innovative design and superior materials.

Patented Autoguard® self-test technology includes exclusive Closed Loop Active Detection (CLAD). Our advanced microcontroller identifies and isolates true ground fault conditions from transient events, harmonics, and other anomalous building noise.

Tamper-resistant/weather-resistant listed GFR models include our patented tamper-resistant (TR) shutters.

Available in standard terminal and SNAPConnect® compatible versions.

Use hospital grade GFR receptacles for wet location applications throughout hospitals and medical facilities.

- Single LED indicator—power (green), trip ground fault (red), and end of life (flashing red)
- Patented Autoguard® self-test and power denial technology
- Fed Spec UL Listed hospital grade



www.hubbell.com/wiringdevice-kellems

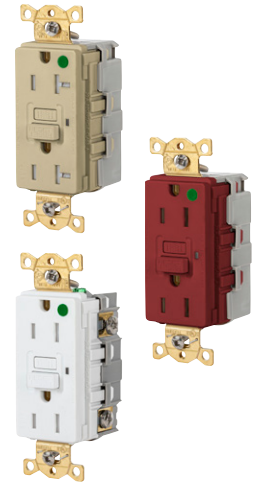
HOSPITAL GRADE

GFCI Receptacles

ORDERING INFORMATION

Description	Color	15A	20A
SNAPConnect™ hospital grade ground fault receptacle, tamper and weather resistant	Ivory Red White	SNAPGFTW82I SNAPGFTW82R SNAPGFTW82W	SNAPGFTW83I SNAPGFTW83R SNAPGFTW83W
SNAPConnect™ hospital grade ground fault receptacle	Ivory Red White	SNAPGF82I SNAPGF82R SNAPGF82W	SNAPGF83I SNAPGF83R SNAPGF83W
Hospital grade ground fault receptacle, tamper and weather resistant	Ivory Red White	GFRTW82I GFRTW82R GFRTW82W	GFRTW83I GFRTW83R GFRTW83W
Hospital grade ground fault receptacle	Ivory Red White	GFR82I GFR82R GFR82W	GFR83I GFR83R GFR83W

Additional colors available, please visit our website or contact your Hubbell representative.



TECHNICAL INFORMATION

Ratings		Certifications		Construction	
Amperage	15 Amp/20 Amp	UL Listing	E41978 Fed Spec	Termination	Back and Side
Feed-through	20 Amp Protection	UL Std 498	Receptacle	Terminal	#14 to #10AWG
Voltage	120V AC (- 15%, + 10%)	UL Std 943	GFCI	Grounding	Autoground Staple
Frequency	60 Hz	UL Std 943	Dust Resistant	Power Indicator	Solid Green
Dielectric	Withstand 1,500V	UL Std 943	Corrosion Resistant	GF/Trip Indicator	Solid Red
Flammability	V2 per UL 94	NEC*/CEC*	TR, WR Resistant	End of Life	Flashing Red
Operating Temp	(-35°C to 66°C)	CSA Listing	LR24886	Contacts/Bridge	Brass
Trip Level	(4mA to 6mA) .025 sec.	CSA Std	C22.2 No. 42	Printed Circuit Board	Selective Coating
Short Circuit	10,000 Amps	CSA Tech	No. M-02A	Scored Bridge	OEM Installations

Code and Standard Compliance

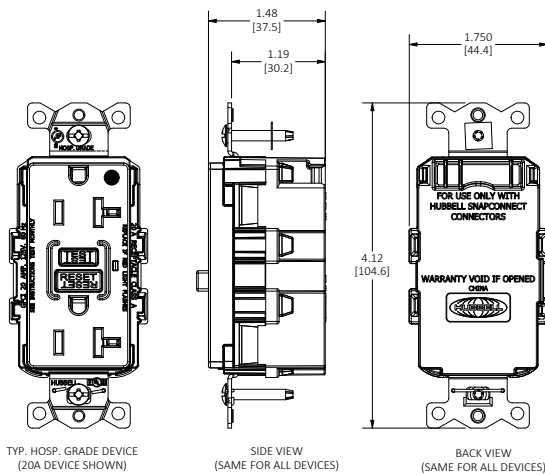
National Electric Code®

Compliant with NEC® 406.12 and NEC® 517-18c for Tamper-Resistance
Compliant with NEC® 406.9 for Weather Resistance

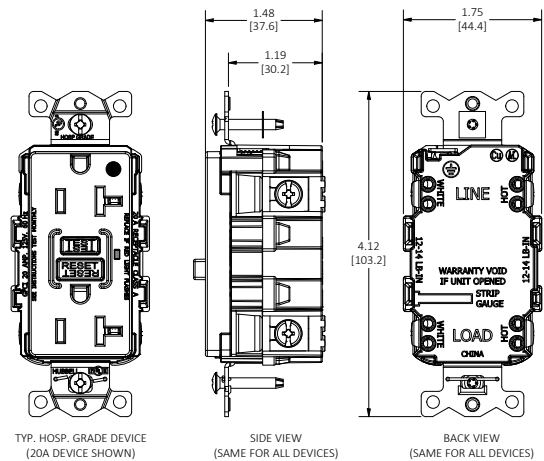
Industry Standards

NEMA WD6, ANSI C-73, NOM, National Electric Code, Canadian Electric Code

SNAPCONNECT® DEVICES



STANDARD DEVICES



A proud member of the Hubbell family.