



## ScrubSwitch™ Sealed Switches

Switches designed to be disinfected

## THE PROBLEM

# High touch surfaces

High touch surfaces have frequent contact with hands. Health care workers can touch up to 15 different surfaces during a single patient interaction.

Door handles, bedrails, call bells, and toggle light switches are all high touch surfaces. Over 50% of Hospital Acquired Infections (HAIs) are spread through contaminated hands.

These surfaces in patient care areas require more frequent cleaning than other surfaces. Cleaning and disinfecting are usually done at least daily—more frequently if the risk of environmental contamination is higher.

A key location to be cleaned is switches. The average patient room toggle light switch hosts 112 bacterial colonies per centimeter. That's equivalent to a trash bin! Toggle switches are simply not designed to be disinfected.



## QUALITY CONTROL FOR HIGH TOUCH AREAS

Protocols used in hospitals to monitor high touch surfaces helps ensure regular cleaning and disinfecting these surfaces. It sets certain quality standards on a pass/fail system.

An alternate way to check cleanliness of these areas is UV gel testing. It shows any residual bacteria or germs that are left after cleaning. However, it's inconvenient.



## THE SOLUTION

# ScrubSwitch™ devices

Help reduce bacteria transmission in high touch areas

Satisfy environmental health cleaning requirements with a better switch. ScrubSwitch devices are the first switches designed to withstand the rigors of medical cleaning solutions and stricter protocols.

The switch module is 100% sealed against liquids and installs in a standard electrical box. Unlike toggle switches, the totally smooth plate surface offers bacteria nowhere to hide.

### APPLICATION AREAS

ScrubSwitch devices help hospitals maintain high levels of cleanliness in high touch areas that require more rigorous cleaning.

- Patient rooms
- Patient bathrooms
- Nurse stations
- Public areas
- Anterooms
- Laboratories

Not just hospitals. ScrubSwitch devices are perfect for use in doctor and dentist offices, rehab facilities, even schools. New construction or retrofit applications.

# Technology that doesn't break the seal

## Sealed design eliminates problems

Proximity sensing allows users to simply tap on or off, like a phone. No need to push a rocker or move a toggle, reducing the amount of contact. Even better, the technology doesn't require skin contact! It works just as well with a latex gloved hand, or an elbow in a shirt sleeve.

Touching the tap zone activates lights. They stay on till another touch de-activates them. The design limits accidental activation, such as vibration, walking past, or standing nearby.

This technology allows the switchplate to maintain a smooth, unbroken surface. There's simply nowhere for bacteria to hide. The 3R rated sealed switch sits behind the plate. That helps reduce the transmission of viruses and bacteria, enhancing cleanability.



### THE PROBLEM WITH TOGGLES

Basically, there's two issues with high-touch switches.

1. Too many nooks and crannies where bacteria can thrive. Gaps and seams between the toggle and the plate, even wallplate screw heads often can't be cleaned properly.
2. Cleaning issues. Sprayed directly on the plastic plate, disinfecting solution can cause discoloring and cracking. Too much solution allows it to enter through those openings to the interior of the switch, potentially burning it out.







## Designed to be cleaned

The smooth Scrubswitch cover plate design has no openings and snaps onto the device. Constructed of chemical-resistant ABS plastic, these plates have been tested for aggressive cleaning with:

- Bleach
- Alcohol/Quat
- Disinfectant and germicidal wipes
- Hydrogen peroxide
- Phenols

Added Microban® antimicrobial technology in the plate material suppresses bacterial growth. It releases silver ions, which disturb bacteria cell walls, preventing them from reproducing. The technology is shown to be effective on over 99.9% unwanted microorganisms. This can help reduce HAIs.

The plates are impact-resistant to meet UL and CSA standards. Stainless steel plates, 302/304 grade, are also available.

The switch also remains in the on or off state while being cleaned.

### CLEANING PROCESS

Such high touch surfaces are cleaned at least once every 24 hours.

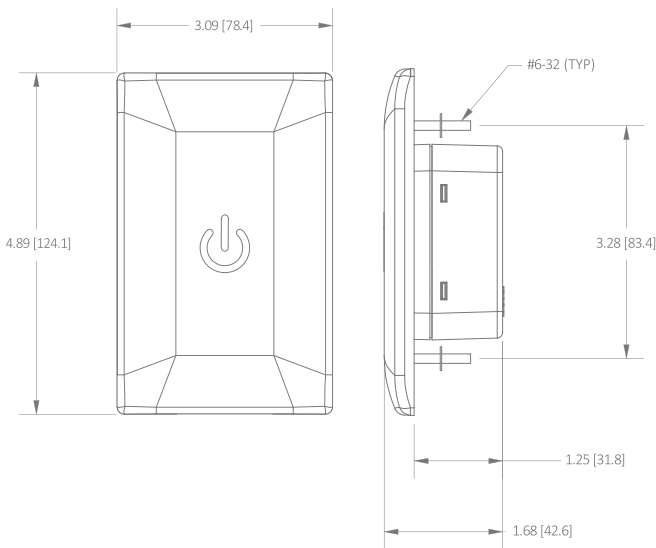
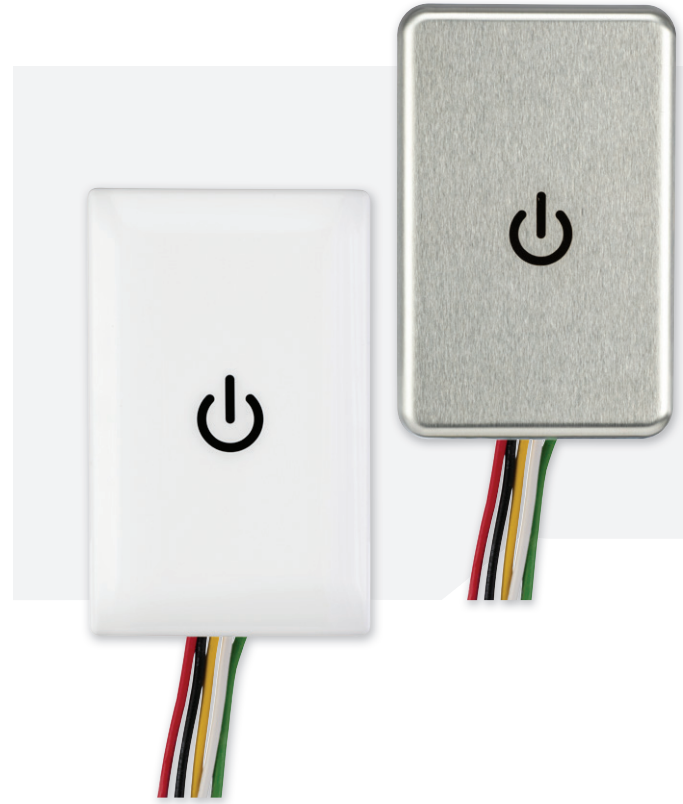
1. Initial cleaning: removing dust, soil, blood, and bodily fluids with a microfiber cloth
2. Switches are then disinfected using hospital grade disinfectant wipes or spray. The spray should be put on the cloth.

New cloths are required for cleaning each area—switches, beds, bathroom. Gloves are required through all cleaning procedures.

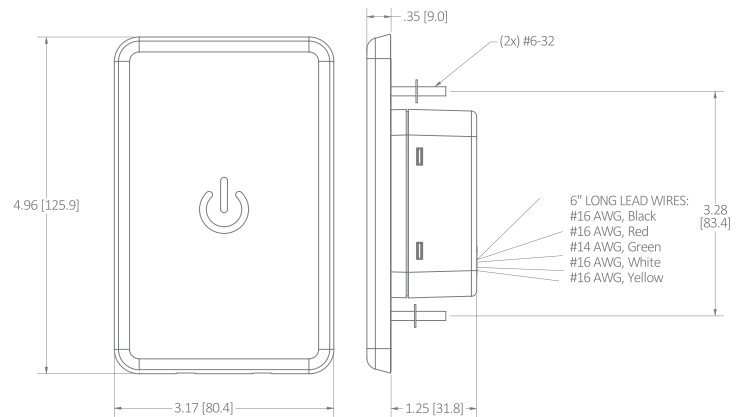
# One gang switches

Single gang ScrubSwitch models offer single-pole and multi-way operation.

- Patented proximity tap sensing technology
- 10A/120V, 8A/277V, 1/2HP motor
- For LED, fluorescent, or incandescent lighting loads
- NEMA 3R rated
- Available in a smooth, antimicrobial ABS plate or a stainless steel plate
- Mount to a standard box
- Complies with UL60730 (Automatic electrical controls) and CAN/CSA-E60730-1 (category CLSB/7)
- Rated 50,000 cycles per Fed Spec



WSS1277PW—White ABS plastic plate

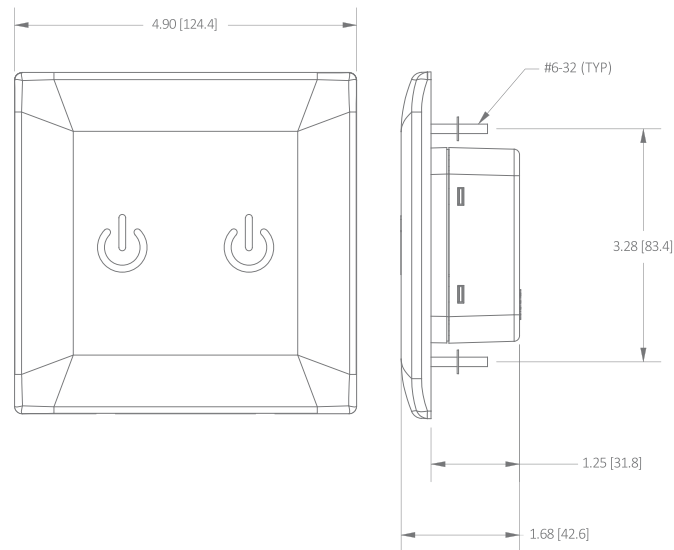
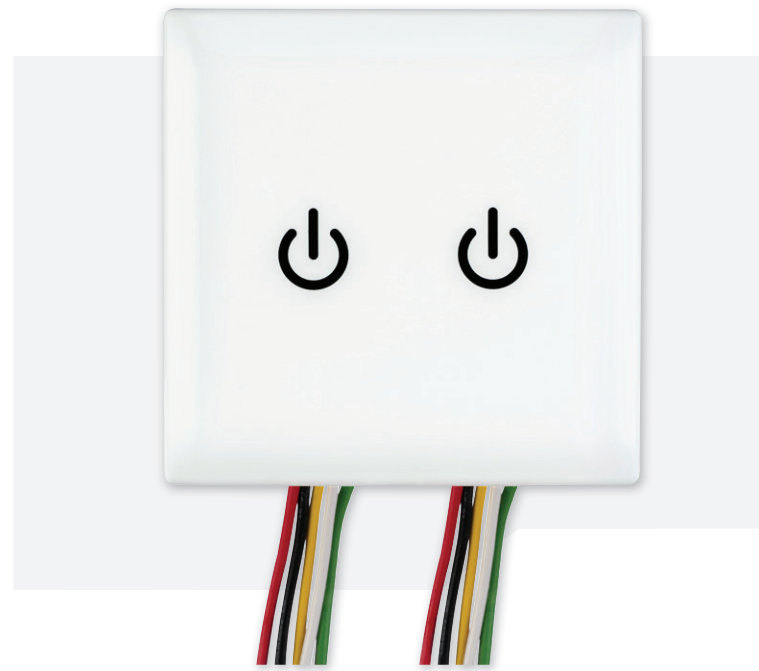


WSS1277SS—Stainless steel plate

# Two gang switch

Two gang ScrubSwitch model offer single-pole and multi-way operation.

- Patented proximity tap sensing technology
- 10A/120V, 8A/277V, 1/2HP motor
- For LED, fluorescent, or incandescent lighting loads
- NEMA 3R rated
- Smooth, antimicrobial ABS plate
- Mount to a standard 2 gang box
- Complies with UL60730 (Automatic electrical controls) and CAN/CSA-E60730-1 (category CLSB/7)
- Rated 50,000 cycles per Fed Spec



WSS2277PW—White ABS plastic plate

# ScrubSwitch™ sealed switches

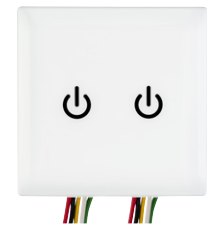
## ORDERING INFORMATION

Description	Catalog Number
Proximity tap switch, single gang	with stainless steel plate with ABS antimicrobial plastic plate, white base module only, plate sold separately
	<b>WSS1277SS</b> <b>WSS1277PW</b> <b>WSS1277</b>
Proximity tap switch, 2 gang	with ABS antimicrobial plastic plate, white
	<b>WSS2277PW</b>

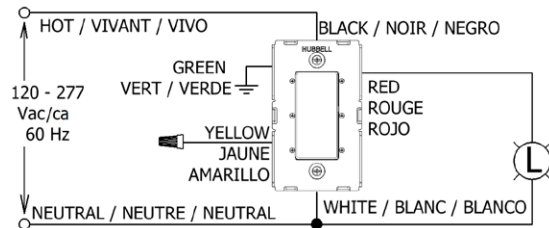
All units can be used as SP, 3 & 4-way, additional ScrubSwitch devices need to be used. Do not use a mechanical switch.



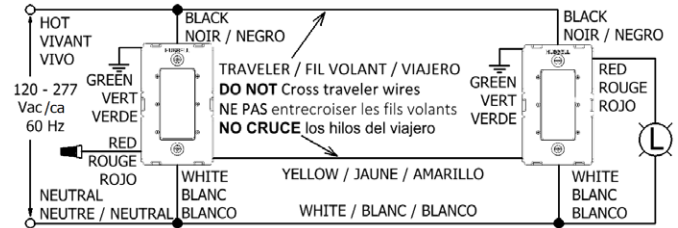
Description	Catalog Number
Cover plate, single gang	stainless steel plate ABS antimicrobial plastic plate, white
	<b>WSS1SS</b> <b>WSS1PW</b>
Cover plate, 2 gang	ABS antimicrobial plastic plate, white
	<b>WSS2PW</b>



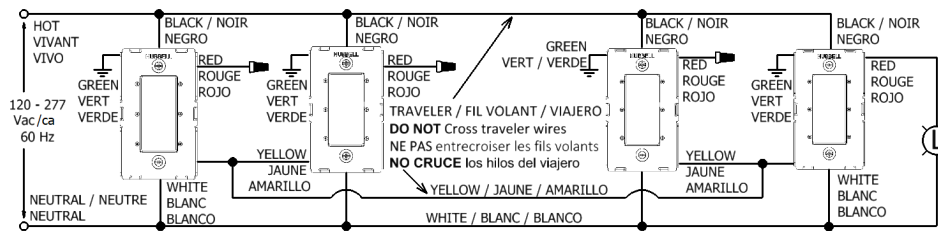
## SCRUBSWITCH INSTALLATION



Single Pole



Three Way



Four Way

See the Scrubswitch switch yourself and the entire line of Hubbell electrical products. Contact your Hubbell sales representative.



A proud member of the Hubbell family.