

The future is a round corner

Circuit-Lock® Rounded Sloped Top Motor Disconnects

Hubbell Circuit-Lock disconnects meet code requirements and exceed performance expectations even in the harshest environments. The new rounded enclosure supports best practices in hygienic design by shedding water, dirt, and debris. Innovative new inSIGHT™ indicators provide next level safety for personnel.

Design Enhancements

- Rounded sloped top aids run-off
- Improved, longer lasting gasket
- Installation-free inSIGHT design
- Closed loop lock out/tag out
- Improved conformal-coated inSIGHT LED board
- Flat for side feed
- 3 auxiliary contacts and 4th pole solutions

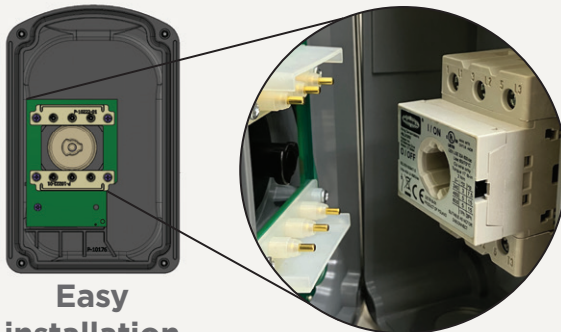
Excellence you expect from Hubbell

- Identical mounting pattern
- IP69K, UL Type 4x, 12 water ingress ratings
- Certifications: cULus, NSF, and CE
- Captive stainless steel cover screws
- Available in 30A, 60A, and 100A
- inSIGHT, Jog, and Motor Quick versions
- Impact and corrosion resistant, UV stabilized Valox construction
- Highly visible red handle
- Permanently laser marked product rating



*“Horizontal surfaces should be minimized or avoided by installing a sloped roof.” **

**H.L.M. Lelieveld, M.A. Mostert & J. Holah, Handbook of Hygiene Control in the Food Industry (Woodhead Publishing in Food Science and Technology)*

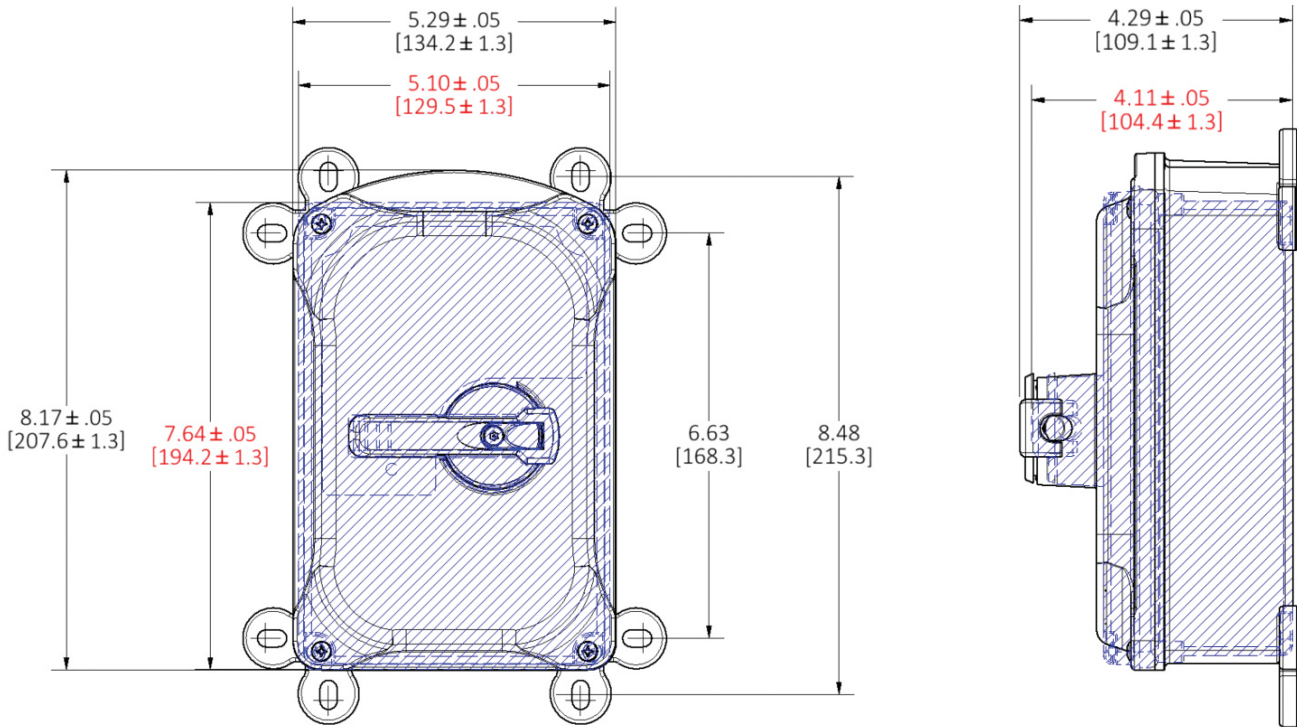


**Easy
installation**

**in
TOUCH**
Self Terminating Diagnostic LEDs

Integral spring-loaded brass pins inherently contact terminal screws when the cover is secured to the base. No wire harness or tabs to be terminated, only the ground wire!

Circuit-Lock® Rounded Top Motor Disconnects



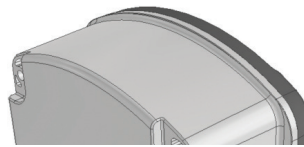
30A enclosure shown above. Legacy HBLDS3 measurements in red. Light blue shading is legacy enclosure. Mounting patterns are the same.

	Height	Width	Depth	
30A	HBLDS3	7.64	5.11	4.15
	HBLDS30	8.17	5.29	4.32
	Delta	+0.53	+0.18	+0.17

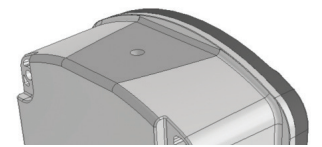
	Height	Width	Depth	
60 & 100A	HBLDS6	9.96	6.88	5.94
	HBLDS60	10.85	7.28	6.05
	Delta	+0.89	+0.40	+0.11

Ordering

Keep standard prefix of HBLDS3, HBLDS6 or HBLDS10*



Add a 0 (zero) for new rounded sloped version



Add a T for rounded top feed applications

	Legacy SKU
30A	HBLDS3
	HBLDS3NK
	HBLDS3P
	HBLDS3AC
60A	HBLDS6
100A	HBLDS10



	Rounded SKU
30A	HBLDS30
	HBLDS30NK
	HBLDS30P
	HBLDS30AC
60A	HBLDS60
100A	HBLDS100

OR



	Top Feed SKU
30A	HBLDS30T
	HBLDS30TNK
	HBLDS30TP
	HBLDS30TAC
60A	HBLDS60T
100A	HBLDS100T

*Representative SKUs. All legacy SKUs have a rounded and rounded top version. For full list of SKUs please contact your local Territory Manager. For help finding who that is go to <https://www.hubbell.com/wiringdevice-kellems/en/sales-contact-lookup>.

