

## Stainless Steel While-in-Use Covers

Designed to support hygienic design and withstand harsh industrial environments

Stainless steel while-in-use covers are suitable for use in applications where corrosion and sanitation are vital concerns. Heavy duty 316 stainless steel provides an excellent finish and superior corrosion resistance in all applications. Models listed are typically used in indoor/outdoor applications such as, food/chemical processing, pharmaceutical and water treatment facilities.



### Features

- Manufactured in heavy duty 316 stainless steel for increased corrosion resistance
- Polished finish for a clean aesthetic appearance
- Smooth surfaces to allow ease of cleaning
- Accommodates switches & receptacles (standard, GFCI, and Twist-Lock®)
- UL Type 3R: Rain-tight and sleet (Ice) resistant
- Lockable tab for OSHA compliance

### Industries Commonly Served

- Food and Beverage Production and Distribution
- Chemical Plants
- Water and Wastewater Treatment
- Pharmaceuticals and Cosmetics
- Refining and Extraction Sites
- Petrochemical Operations
- Marine and Coastal Facilities
- Pulp and Paper Mills
- Other corrosive environments



# Stainless Steel While-in-Use Covers

## Stainless Steel Weatherproof Flip Covers

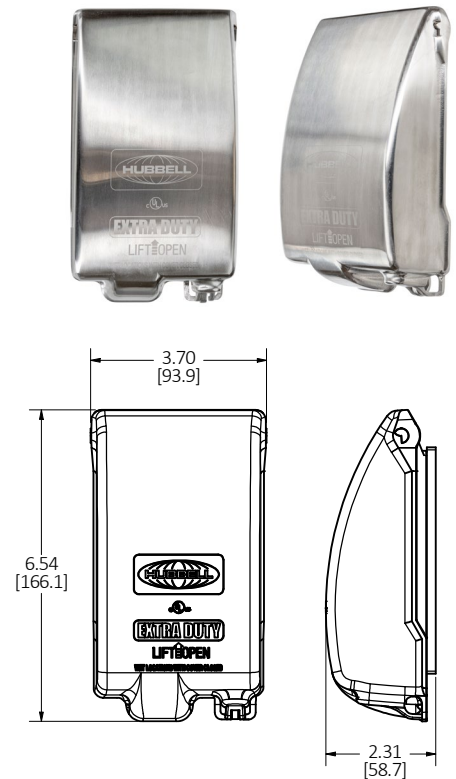
Description	Catalog Number
1 Gang, Stainless Steel While-in-Use Cover, 3R	HBLSS26WIS

## Specifications

Cover	Stainless Steel
Base	Stainless Steel
Hinge Pin	Stainless Steel
Spring	Stainless Steel
Gaskets	Closed Cell Foam
Mounting Screw	Stainless Steel
Adapter	Polycarbonate

## Product Dimensions

Catalog Number	Position	Height	Width	Depth	Opening
HBLSS26WIS	Closed	6.54" (166.1)	3.70" (93.9)	2.31" (58.7)	2.65" (67.3)
	While-in-Use	6.40" (162.7)	3.70" (93.9)	3.70" (93.9)	2.65" (67.3)



## Online Resources

The Hubbell Wiring Device-Kellems website offers fast and convenient information through our online catalog, technical support, videos and more. Visit [www.hubbell.com/wiringdevice-kellems](http://www.hubbell.com/wiringdevice-kellems).

## Literature Support

Hubbell offers an extensive literature library for product support. Downloadable PDFs are available online.



Full Line Catalog



Motor Disconnects



Watertight Wiring Devices



IEC Pin & Sleeve Devices

## Contact Us

Count on Hubbell Wiring Device-Kellems for the most reliable and innovative wiring device product line in North America.

✉ [custserv@hubbell.com](mailto:custserv@hubbell.com)

☎ (800) 288-6000

📍 Find your local representative at [www.hubbell.com/wiringdevice-kellems](http://www.hubbell.com/wiringdevice-kellems)



A proud member of the Hubbell family.

©2024 Wiring Device-Kellems. All rights reserved.  
Hubbell and the Hubbell logo are registered trademarks or trademarks of Hubbell Incorporated. All other trademarks are the property of their respective owners.  
40 Waterview Drive, Shelton, CT 06484  
[www.hubbell.com/wiringdevice-kellems](http://www.hubbell.com/wiringdevice-kellems) | 800-288-6000

EP-WDK-SF-EN-02083 | 04/2024