

# Wall Mount Wireless Chargers

No cord, no problem!

## Transform any space into a convenient charging zone

Hubbell's Qi certified wireless chargers deliver a new convenience: you no longer have to deal with cords or poor connections while charging your devices.

Designed to be aesthetically pleasing and durable, this device will organize your workplace or home, seamlessly transforming any ordinary space or counter into a organized, accessible "drop zone" to charge multiple devices at once.

Hubbell wireless chargers are ideal for use in commercial buildings, universities, hotels, offices, airports, restaurants, home renovations and new residential construction.



USB Combination Phone Charger

Ideal for new construction charging areas



Single Phone Charger



## Features

- Qi certified
- Easy single gang installation
- Two inductive coils for optimum target area
- 7.5W capacity wireless output
- LED indication: green for power, blue when charging
- cULus listed and FCC listed

## Applications

- Offices
- Workstations
- Kitchens
- Bedrooms
- Dormitories
- Waiting areas
- Patient rooms
- Nurses' stations
- Airport charging stations
- Restaurants

# Wall Mount Wireless Chargers

## Ordering Informations



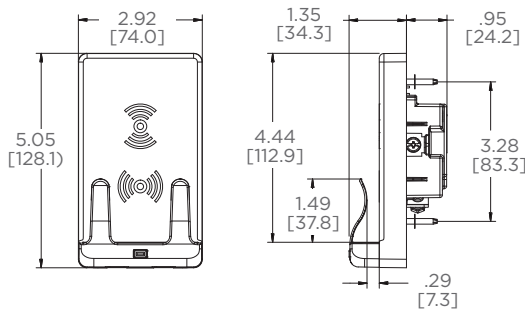
### Qi Certified Wireless Chargers

Description	Color	Rating	Receptacle	Catalog Number
Wireless wall mount phone charger	White	Coil: 7.5 watt inductive, 125 volt input	-	<b>USB1518</b>
USB combination wireless wall mount phone charger, inductive coil with USB Type A&C ports and tamper-resistant receptacle, USB ports rated for 10,000 cycles	White	Coil: 7.5 watt inductive, USB: 5A 5V DC	15A 125V	<b>USB1528AC</b>
			20A 125V	<b>USB2028AC</b>

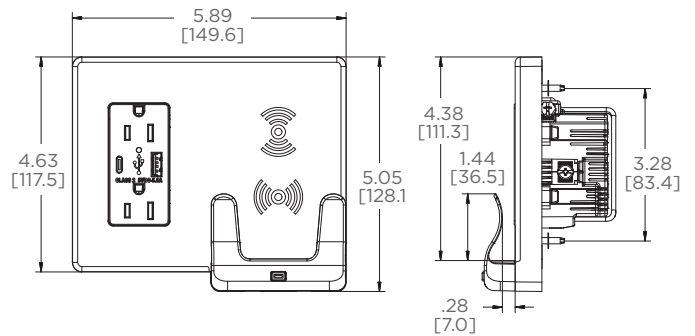


## Dimensions

### Single Wireless Phone Charger



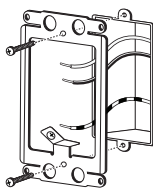
### USB Combination Wireless Phone Charger



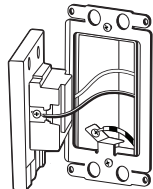
## Installation

### Single Wireless Phone Charger

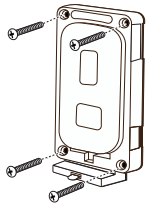
1. Mount bracket



2. Terminate wires



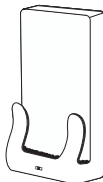
3. Screw on subplate



4. Snap on wallplate

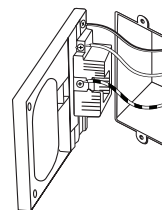


No cord, no problem!

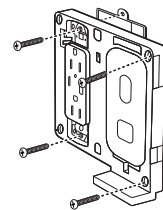


### USB Combination Wireless Phone Charger

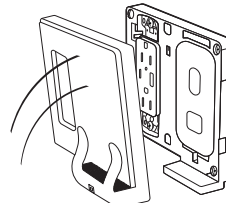
1. Terminate wires



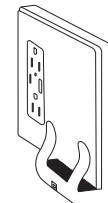
2. Screw on subplate



3. Snap on wallplate



No cord, no problem!



A proud member of the Hubbell family.

©2024 Wiring Device-Kellems. All rights reserved.  
 Hubbell and the Hubbell logo are registered trademarks or trademarks of Hubbell Incorporated. All other trademarks are the property of their respective owners.  
 40 Waterview Drive, Shelton, CT 06484  
[www.hubbell.com/wiringdevice-kellems](http://www.hubbell.com/wiringdevice-kellems) | 800-288-6000