

## Tri-Power Pop-up Receptacles

Quick installation and setup guide:

### Key Benefits

- Water and tamper-resistant face
- Compact design minimizes space required in cabinet
- UL 498 Section 146 spill test compliant
- Easy “push down to pop up” function rated for minimum 10,000 cycles (Open/Close)
- Permanent installation-ready, suitable for MC or nonmetallic sheathed cable
- Seven different finishes available

### Installing the countertop receptacle

Before installing the Tri-Power countertop receptacle, lay out the included parts.

**Note:** Different components that will be used throughout the installation include the housing, base, countertop flange, receptacle cover, locking nut, and installation screws.



### Meets NEC Requirements

Kitchen receptacles in islands and peninsulas must be installed on or above the countertop or work surface. If a receptacle is not provided, provisions must be provided for the addition of a receptacle in the future.



# Installation Steps

## Step 1

Cut the required size circular hole in the countertop.

Note that the RCT600 Tri-Power series requires a 4" hole, while RCT200 Pop-ups use a 3.47" hole.

Determine which color silicon top to use. Peel off the protective tab to expose the adhesive surface on the pop-up tower, snap on that cover.

For black color RCT600BK and RCT620BK, and white color RCT600W and RCT620W, skip this step. Go to Step 2 and begin installation.



## Step 2

Remove the base from the housing to expose screw terminals.



## Step 3

**CAUTION: Make sure the circuit is off at the load center before handling the cable.**

Place the tightening ring on the cable whip before wiring the device. Then, feed the cable through the lock nut under the countertop. This will secure the device later.



## Step 4

Fasten the metal jacket to the device base. A fitting (not included) is required.



## Step 5

Strip conductors to the correct length as shown on the device (about 1/2").

Ground the base by bonding the green or bare wire to the grounding screw on the base.

Terminate the green or bare wire to the green screw marked.

Terminate the white or gray wire to the white screw marked "WHITE."

Terminate the black or red wire to the brass screw marked "HOT."



## Step 6

Reattach the base to the housing and secure with screws.



## Step 7

Insert the device into the countertop opening and hand tighten the locknut to secure the device in place.



## Step 8

Terminate the device to the power source. Press the cover to pop up the receptacle for use, press again to close.



# Because spills happen

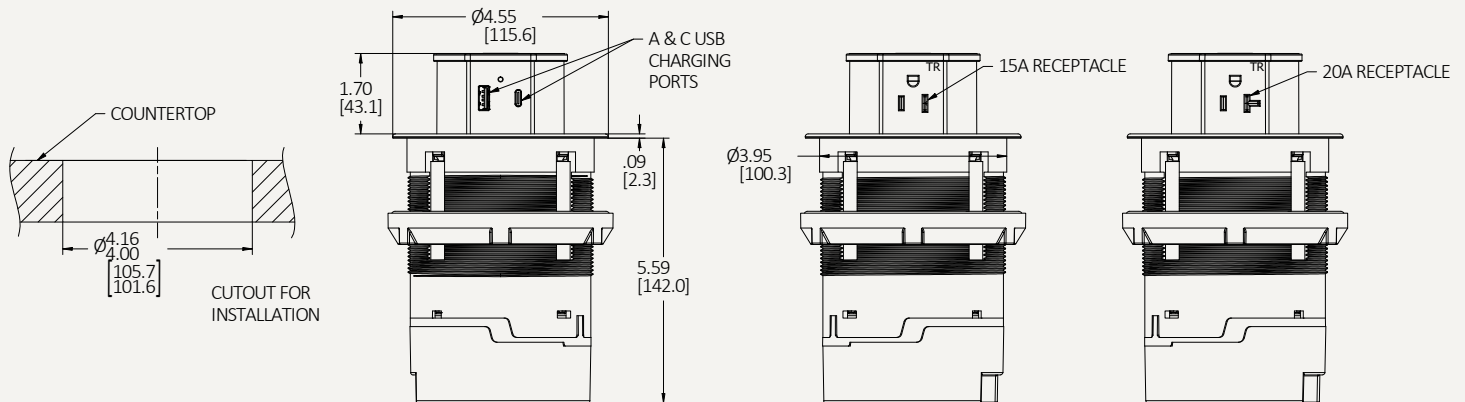
Hubbell countertop receptacles are spill test compliant

## Countertop Receptacles

Description	Finish	Color/ Material	15A 125V Receptacle		20A 125V Receptacle	
			Surface Mount	Flush Mount	Surface Mount	Flush Mount
Tamper-resistant pop-up kitchen counter receptacle, rated for 20A circuits	Powder Coated	Black	RCT200BK	RCT201BK	RCT220BK	RCT221BK
		White	RCT200W	RCT201W	RCT220W	RCT221W
		Bronze	RCT200BZE	RCT201BZE	RCT220BZE	RCT221BZE
Cover: machined aluminum, wiring chamber accepts ½" MC or non-metallic sheath cable	Brushed	Aluminum	RCT200ALU	RCT201ALU	RCT220ALU	RCT221ALU
		Brass	RCT200BR	RCT201BR	RCT220BR	RCT221BR
		Nickel	RCT200NI	RCT201NI	RCT220NI	RCT221NI
Tri-power AC, includes: tamper-resistant pop-up kitchen counter receptacle, USB Type AC and wireless inductive, rated for 20A circuits	Powder Coated	Black	RCT600BK	—	RCT620BK	—
		White	RCT600W	—	RCT620W	—
		Bronze	RCT600BZE	—	RCT620BZE	—
Cover: machined aluminum, wiring chamber accepts ½" MC or non-metallic sheath cable; surface mount only	Brushed	Aluminum	RCT600ALU	—	RCT620ALU	—
		Brass	RCT600BR	—	RCT620BR	—
		Nickel	RCT600NI	—	RCT620NI	—
	Polished	Chrome	RCT600CH	—	RCT620CH	—



## Dimensional Drawings



©2024 Hubbell Inc. All rights reserved.  
 Hubbell and the Hubbell logo are registered trademarks or trademarks of Hubbell Incorporated. All other trademarks are the property of their respective owners.  
 40 Waterview Dr., Shelton, CT 06484  
[www.hubbell.com/wiringdevice-kellems](http://www.hubbell.com/wiringdevice-kellems) | [custserv@hubbell.com](mailto:custserv@hubbell.com) | 800-288-6000