



# *Twist-Lock® Edge Series*

Twist-Lock® Devices with Screwless Terminations



# Twist-Lock® devices with screwless terminations

Hubbell's innovative, patented Twist-Lock® Edge series devices with screwless terminations are the fastest termination devices on the market. Strong steel springs continuously apply pressure to wires, ensuring a strong connection in the most abusive environments.

## AVAILABLE DEVICES



### RECEPTACLES

Available in 3, 4, and 5 wire configurations, these receptacles fit in standard depth boxes



### PLUGS

Cord mounted plugs include funneled wire entry to direct conductor strands as well as molded in leverage points for easy unwiring







### FLANGED INLETS

Designed with easy termination access in the back of the device with laser etched terminal markings for clear identification of correct wiring

**PATENTED**

Hubbell is the only North American electrical device manufacturer offering a screwless termination within a NEMA wiring device

## GET THE TWIST-LOCK **EDGE**

-  **On Speed**  
Reduce your installation time by over 80%—technicians can install device completely by hand without a torque driver
-  **On Safety**  
Consistent reliable connection; no exposed live metal on the receptacle
-  **On Durability**  
Wires stay tight for the long term, regardless of vibration, temperature cycling or strand relaxation
-  **On Reliability**  
Same great quality you have come to expect from Hubbell

*\*With this new termination method, the CE Code Part I requirements for the use of a torque driver to secure the terminations are no longer applicable*



FOOD PROCESSING



ORIGINAL EQUIPMENT MANUFACTURING (OEM)



INDUSTRIAL MANUFACTURING



ENTERTAINMENT

## For every application

Applications subject to vibration or thermal cycling benefit from increased performance and productivity savings with Hubbell's screwless termination technology. Perfect for use in power distribution systems, for powering motor drives, or simply installing equipment on the production floor.



### OEMs

Save money with 80% reduction in installation time, while providing consistently reliable connections



### ELECTRICIANS

Terminate in just 11 seconds, no torque screwdriver required, with no exposed live metal



### ELECTRICAL CONTRACTORS

Ensure quick yet reliable installations, even in harsh environments

### CERTIFICATIONS



CERTIFIED TO  
CSA C22.2 NO.42



LISTED TO UL 498



VERIFIED TO  
FEDERAL SPECIFICATION  
W-C-596H

(Plugs and flanged inlets only)



# Super fast connections for greater efficiency

For decades, installers have had to spend considerable time wiring each screw and torquing it down with a screwdriver or torque wrench, with the responsibility of measuring and ensuring the integrity of each connection. Even experienced installers needed well over a minute to terminate one device.

With the Twist-Lock screwless termination system, simply insert the wire and press the plunger down. No tools are required. This connection is fool-proof and long lasting, requiring NO periodical re-torquing. Any qualified installer regardless of level of training can guarantee a high quality result.

Elapsed time? About 11 seconds!

## Labor savings, easy as:



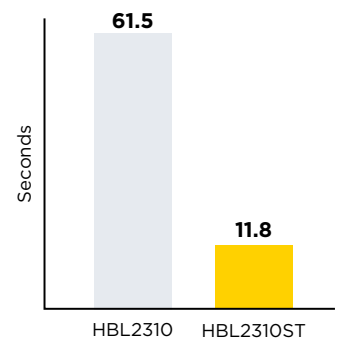
Simply move the plunger upwards to unwind



With this new termination method, the CE Code Part I requirements for the use of a torque driver to secure the terminations are no longer applicable

## Time study analysis

	Screw Terminated Device	Screwless Terminated Device
Example catalog number	<b>HBL2310</b>	<b>HBL2310ST</b>
	Seconds	Seconds
Time per pc	<b>61.5</b>	<b>11.8</b>



Seconds saved with Screwless Termination, per piece

**49.7**

Reduce labor time on a repetitive, time consuming task by 80%!

# The highest reliability— even under constant vibration!

The terminations are tight from day one and stay tight, gripping hard to keep the power flowing even through high vibration environments that can steadily work wires loose and cause unscheduled downtime.

Wires secured with Hubbell Twist-Lock Edge screwless termination devices not only stay tight, they actually dig in and get tighter in the face of the relentless vibration from industrial equipment which constantly threatens the integrity of traditional connections.

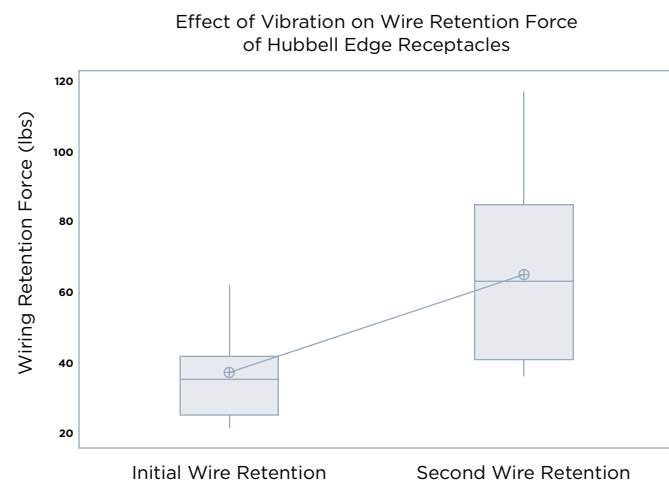
Throughout industry, vibration is generally expected to degrade, not improve, a product's performance in every instance. Not with Hubbell Twist-Lock Edge screwless termination devices—tough environments just make them perform even better and even more reliably for our customers.

Similar performance is also demonstrated in the face of related industrial threats such as temperature cycling and strand relaxation. No matter what the environment, with Twist-Lock Edge screwless termination devices you won't have to go back and retighten—just install once and you're all set.



## Vibration performance\*

25%-60% higher retention

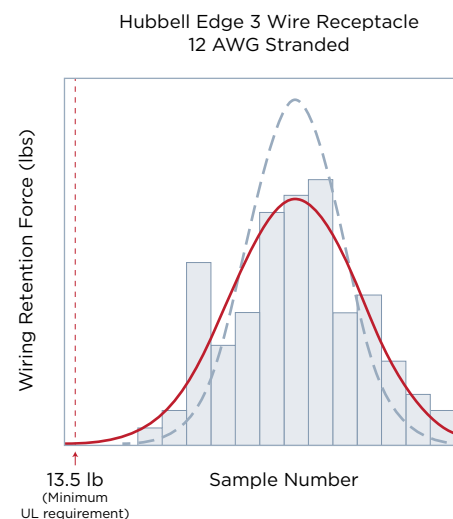


Upon installation, a 10 AWG THHN stranded wire required 40 lbs of force to disengage.

After exposure to vibration as per the applicable standard, 65 lbs of force were required to disengage the wire.

## Wire retention

13.5 lb UL minimum requirement



When compared to the minimum requirement for wire retention, Twist-Lock Edge screwless termination offers superior strength.

\* Three-axis vibration sequence tests performed

# Plugs and flanged inlets

These new plugs and flanged inlets will bring enormous benefits to more users than ever before—such as OEMs and machine manufacturers, maintenance and repair operations, builders and other professionals who must efficiently and cost-effectively install up to thousands of plugs every day.

## ORDERING INFORMATION

### Twist-Lock® Insulgrip® Plugs

Description	Poles/Wires	Rating	20 Amp	30 Amp
Spring termination locking plugs	2P/3W	125V	<b>HBL2311ST</b>	<b>HBL2611ST</b>
		250V	<b>HBL2321ST</b>	<b>HBL2621ST</b>
		277V	<b>HBL2331ST</b>	
		480V	<b>HBL2341ST</b>	
	3P/4W	125/250V	<b>HBL2411ST</b>	<b>HBL2711ST</b>
		3Ø 250V	<b>HBL2421ST</b>	<b>HBL2721ST</b>
		3Ø 480V	<b>HBL2431ST</b>	<b>HBL2731ST</b>
		3ØY 120/208V	<b>HBL2511ST</b>	<b>HBL2811ST</b>
	4P/5W	3ØY 277/480V	<b>HBL2521ST</b>	<b>HBL2821ST</b>



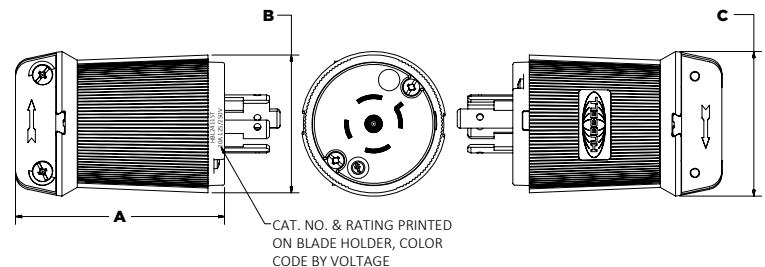
### Twist-Lock® Flanged Inlets

Description	Poles/Wires	Rating	20 Amp	30 Amp
Spring termination locking flanged inlets	2P/3W	125V	<b>HBL2315ST</b>	<b>HBL2615ST</b>
		250V	<b>HBL2325ST</b>	<b>HBL2625ST</b>
		277V	<b>HBL2335ST</b>	
		480V	<b>HBL2345ST</b>	
	3P/4W	125/250V	<b>HBL2415ST</b>	<b>HBL2715ST</b>
		3Ø 250V	<b>HBL2425ST</b>	<b>HBL2725ST</b>
		3Ø 480V	<b>HBL2435ST</b>	<b>HBL2735ST</b>
		3ØY 120/208V	<b>HBL2515ST</b>	<b>HBL2815ST</b>
	4P/5W	3ØY 277/480V	<b>HBL2525ST</b>	<b>HBL2825ST</b>



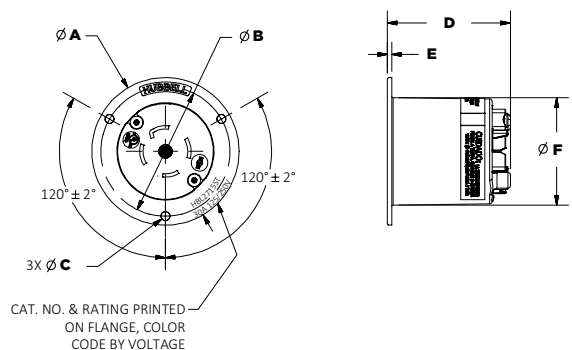
### Product Dimensions Inches (mm)

Catalog Number	Amps	A	B	C
HBL2411ST	20A	3.38" (85.7)	2.22" (56.5)	2.33" (59.2)
HBL2421ST				
HBL2431ST				
HBL2511ST				
HBL2521ST				
HBL2711ST	30A	3.38" (85.7)	2.22" (56.5)	2.33" (59.2)
HBL2721ST				
HBL2731ST				
HBL2811ST				
HBL2821ST				



### Product Dimensions Inches (mm)

Catalog Number	Amps	A	B	C	D	E	F
HBL2415ST	20A	3.06" (77.8)	2.69" (68.2)	.186" (4.7)	2.47" (62.7)	.09" (2.4)	2.23" (56.6)
HBL2425ST							
HBL2435ST							
HBL2515ST	20A	3.06" (77.8)	2.69" (68.2)	.186" (4.7)	2.64" (67.0)	.09" (2.4)	2.23" (56.6)
HBL2525ST							
HBL2715ST	30A	3.06" (77.8)	2.69" (68.2)	.186" (4.7)	2.56" (65.0)	.09" (2.4)	2.23" (56.6)
HBL2725ST							
HBL2735ST							
HBL2815ST	30A	3.06" (77.8)	2.69" (68.2)	.186" (4.7)	2.64" (67.0)	.09" (2.4)	2.23" (56.6)
HBL2825ST							



### Certifications

cULus Listed by UL to CSA C22.2 No. 42 and UL498.  
 Indoor Dry environment unless protected by additional means.  
 Meets performance requirements of Federal Specification W-C-596

# Receptacles

Twist-Lock screwless termination receptacles provide power for a variety of applications, including data centers, entertainment power distribution, and industrial production equipment. OEMs that utilize these receptacles in their products, instantly realize significant time savings when wiring hundreds, if not thousands of these devices.

## ORDERING INFORMATION

### Twist-Lock® Single Receptacles

Description	Poles/Wires	Rating	20 Amp	30 Amp
Spring termination locking receptacles	2P/3W	125V	<b>HBL2310ST</b>	<b>HBL2610ST</b>
		250V	<b>HBL2320ST</b>	<b>HBL2620ST</b>
	3P/4W	125/250V	<b>HBL2410ST</b>	<b>HBL2710ST</b>
		3Ø 250V	<b>HBL2420ST</b>	<b>HBL2720ST</b>
	4P/5W	3Ø 480V	<b>HBL2430ST</b>	<b>HBL2730ST</b>
		3ØY 120/208V	<b>HBL2510ST</b>	<b>HBL2810ST</b>
		3ØY 277/480V	<b>HBL2520ST</b>	<b>HBL2820ST</b>

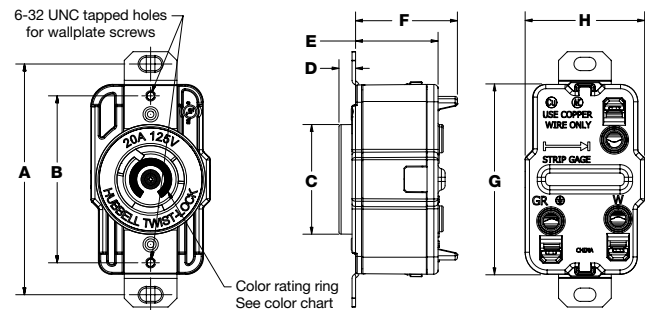
Removal bridge, for use with all Twist-Lock screwless termination receptacles	<b>HBLSTRB</b>
---	----------------



## SPECIFICATIONS

### Product Dimensions Inches (mm)

Catalog Number	Amps	A	B	C	D	E	F	G	H
HBL2310ST	20A	3.28"	2.38"	1.56"	.24"	1.17"	1.45"	2.77"	1.70"
HBL2320ST									
HBL2410ST									
HBL2420ST									
HBL2430ST									
HBL2510ST									
HBL2520ST									
HBL2610ST	30A	3.28"	2.38"	1.56"	.24"	1.26"	1.53"	2.77"	1.70"
HBL2620ST									
HBL2710ST									
HBL2720ST									
HBL2730ST									
HBL2810ST									
HBL2820ST									



## Certifications

cULus Listed by UL to CSA C22.2 No. 42 and UL498.  
Indoor Dry environment unless protected by additional means.

# Twist-Lock® Edge Series

## Twist-Lock® Devices with Screwless Terminations



### ONLINE RESOURCES

The Hubbell Canada website offers fast and convenient information through our online catalog, technical support, videos and more. Visit [www.hubbell.ca](http://www.hubbell.ca)

### CONTACT US

Count on Hubbell Canada for the most reliable and innovative wiring device product line in North America.



[hubbellinfo@hubbell.ca](mailto:hubbellinfo@hubbell.ca)



1-800-465-7051



Contact your local Sales Representative at [www.hubbell.ca](http://www.hubbell.ca)

### LITERATURE SUPPORT

Hubbell offers an extensive literature library for product support. Downloadable PDFs are available online.



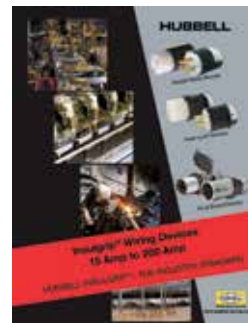
Full Line Catalog



Safety Guide



Entertainment Guide



Insulgrip® Wiring Devices



Slide Selectors

Twist-Lock®  
Devices

Kellems®  
Mesh Grips

**HUBBELL®**  
Wiring Device-Kellems

[www.hubbell.ca](http://www.hubbell.ca)

  
**HUBBELL CANADA**