

Features

- **Selectable Latching Monitor**
- **Intercom**
- **Multiple Parallel Deskset Support**
- **Selectable Parallel Transmit Audio Mute**
- **Selectable Off-Hook Monitor**
- **Selectable Local Speaker**
- **Front-Panel Audio Mute/Unmute**
- **Adjustable Receive Input Sensitivity and Transmit Output Level**
- **Full-Duplex Capable**
- **Built-In Microphone and Speaker**



Applications

- Police, Fire, Ambulance
- Utilities, Taxis, Airlines
- Forestry, Parks, Recreation
- Industries, Municipalities, Construction
- Security and Public Safety

The **ILD1000A Local Deskset** connects directly to a base station or repeater and can control radios up to 1200 feet away. Enhanced productivity and system flexibility is obtained by connecting several desksets to a single radio via a GAI-TRONICS model XLD0001A junction box.

The adjustable receive input sensitivity and transmit output level offers flexibility with different radio systems and user environments with varying radio output levels, line losses, and noise factors. An internal intercom allows deskset users to communicate with each other without tying up valuable radio channels. A selectable parallel transmit audio mute prevents feedback between desksets in close proximity during transmitting.

Each unit includes a handset, built-in microphone and speaker. Front mounted controls and adjustments allow for easy installation and operation.

The ILD1000A is intended to be powered by the connected radio (12 V dc). If local power is required, a model 40419-014 power supply must be ordered separately.

Specifications for ILD1000A

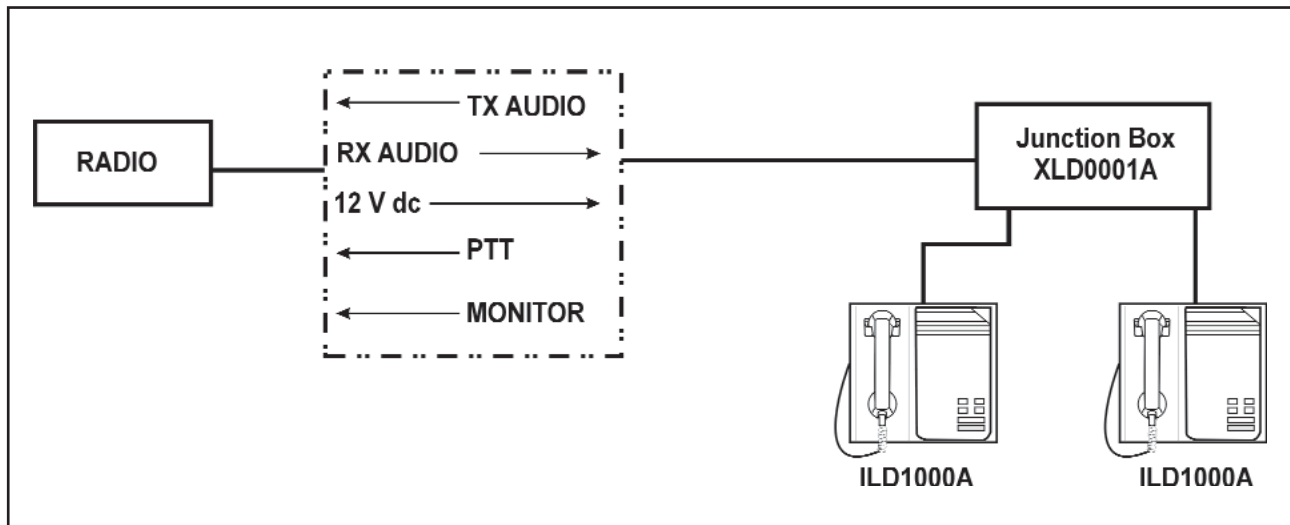
ColorBlack
 Size 7.6" W X x 6.3" L x 4.7" H
 Weight 4 lbs.
 Temperature -35° to +70°C
 Humidity 95% at 50°C non-condensing
 Power Input 10.5 - 16 VDC; 400 mA maximum
 Frequency Response ±3 dB at 300 - 3000 Hz
 from 1 kHz reference
 Hum and Noise Less than -45 dB below rated outputs
 Audio Output to Speakers 1 watt minimum with
 reference to input

Receive Audio Input Input Impedance = 100K ohms,
 differential
 Audio Distortion Less than 3% THD
 Receive Audio Level 200 mV - 4 V RMS
 Transmit Audio Level 50 mV - 250 mV RMS into 560 ohms
 Max. Number of Remotes Per System Limitations

Control Functions

MonitorActive Low
 TransmitActive Low

System Diagram



Accessories and Options

XLD0001A	Junction Box	XCC003C	Coiled Cord w/ PTT
40419-014	AC Wall Transformer**	XCC004B	Coiled Cord (basic)
XAAB002A	Audio Accessory Box	XFS002A	Dual PTT & Monitor Footswitch
XHS003C	Headset (requires coil cord)	XDM005A	Desktop Gooseneck Microphone
XDM004A	Desk Microphone	XHS003C / XCC004B / 25815-003:	Headset, Adapter Cable, and line cord (required for Plantronics replacement)

Note: Models XHS003C, XDM004A, XFS002A, and XDM005A Require XAAB002A Audio Accessory Box.

**Required for local power.

Call Customer Service (1-800-492-1212) For Application Assistance and Pricing. Specifications Subject To Change Without Notice.