

15 Watt IEC/ATEX Speakers

Models 13380-005 to 13380-008



To further enhance the current 13380 series of loudspeakers and better serve our global customers, GAI-TRONICS now offers **15w IEC** and **ATEX** units.

As with the existing UL/ULC versions, the speakers are available as 8 ohm, 16 ohm, 70v and 100v versions. The speakers carry a global weather rating of IP66 together with Zone 1 approval to:

- ♦ **IEC (International)**
- ♦ **ATEX (European Union)**
- ♦ **INMETRO (Brazil)**
- ♦ **GOST-R**

These new additions are easily identified in red and available as Exd, and (on request) Exde versions.

Tropicalization treatment of the 70v and 100v transformer circuit board is also available upon request.



Part#	Description
13380-005	8 ohm 15 watt
13380-006	16 ohm 15 watt
13380-007	70V 15 watt
13380-008	100V..... 15 watt

Specifications

Audio:

Rated power 15w RMS
SPL 102dB +/-3dB @ 1w @ 1m - Pink noise
113dB +/-3dB @ 15w @ 1m
Transformer version (70/100v) tapings 15w / 7.5w / 3w / 1w
Impedance version 8 Ohm or 16 Ohm
Dispersion 120° @ 1kHz & 32° @ 4kHz
Frequency range 400Hz to 8000 Hz

Approval:

II 2 G Ex d IIB or IIC T4 Gb
II 2 D Ex tb IIIC T100 °C or T115 °C Db
KEMA Certificate number: 99ATEX6312
INMETRO Certificate #10-1Ex-0009

Mechanical:

Weatherproof IP66/67
Enclosure Marine grade copper free LM6 aluminum, phosphated and powder coated finish for high resistance to humidity and salt spray
Horn Flare: High impact UL94 V0 & 5VA FR ABS
Cable Entries 2 x M20 one brass blank fitted
Color Red (RAL3000)
Weight 70/100v line: 3.45kg / 7.6lbs;
Low impedance: 3.10kg / 6.8lbs

Environmental:

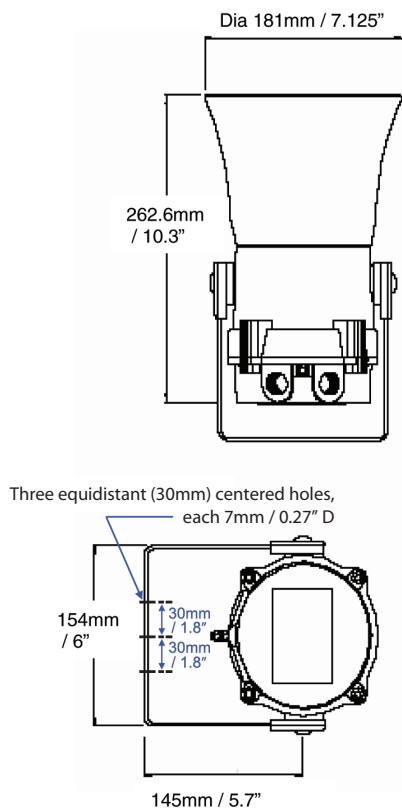
Operating temperature -50 to +55° C / -58 to 131° F
Storage temperature -50 to +70° C / -58 to 158° F

15 Watt IEC/ATEX Speakers

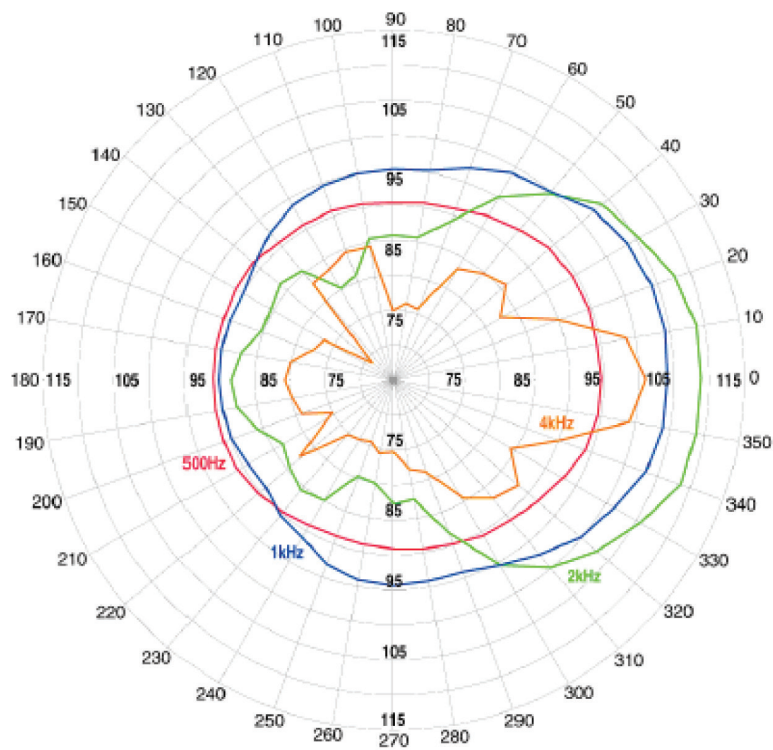
Models 13380-005 to 13380-008



Dimensional Drawing



Polar Plot



USA Toll Free 1 (800) 492-1212 Tel (610) 777-1374
UK Tel +44 (0)1283 500500
Italy Tel +39 02 48601460
Asia Tel +(65) 6282 2242 (Press 4 for GAI-TRONICS)
Australia Tel 011-61-28-851-5000

Visit Our Website: www.gai-tronics.com

Quality Management System Certified by DNV-GL - ISO 9001:2015. The policy of GAI-TRONICS is one of continuous improvement; therefore the company reserves the right to change specifications without notice.

