

# UL Division 2, 25 Watt Speakers

13381-005 to 13381-008 Series



The 13381-005 to 13381-008 Series Loudspeakers are heavy duty, high output loudspeakers ideal for broadcasting speech announcements and electronic alarm tones in hazardous environments with high ambient noise levels.

- ◆ UL Class I, Division 2



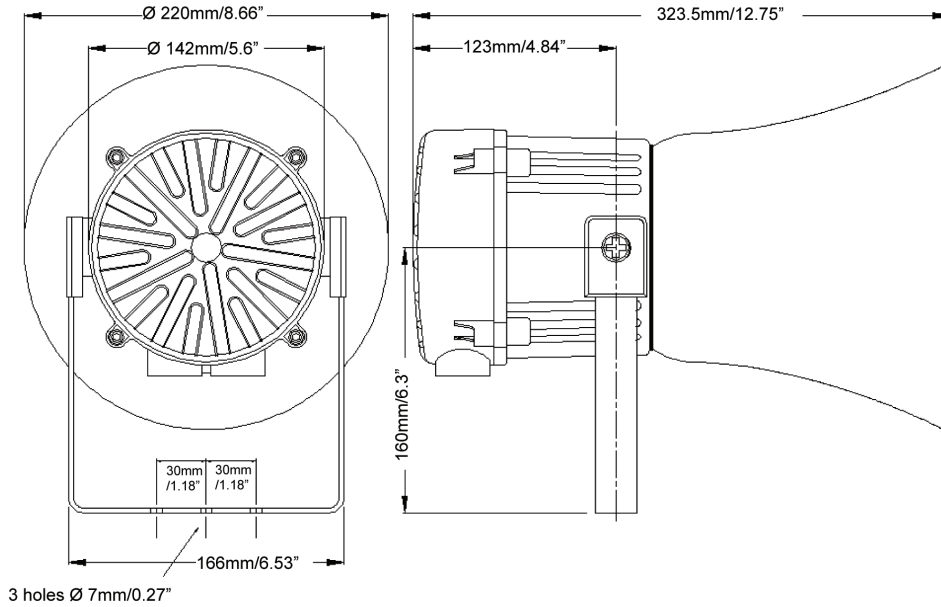
PART#	DESCRIPTION
13381-005	8 ohm . . . . . 25 watt
13381-006	16 ohm . . . . . 25 watt
13381-007	70V . . . . . 25 watt
13381-008	100V . . . . . 25 watt
412B	Speaker Mounting Assembly

## SPECIFICATIONS

Frequency Response . . . . .	300 Hz to 8000 Hz	Material . . . . .	UL94V0 PPS & ABS with 316 stainless steel bracket
Power Handling . . . . .	25 Watts RMS	Cable Entries . . . . .	2 x 1/2" NPT
SPL . . . . .	111dB +/- 3dB @ 1w @ 1m – Pink Noise	Terminals . . . . .	0.5 to 2.5mm <sup>2</sup>
	124dB +/-3dB @ 25w (Rated Power) @ 1m	Dimensions . . . . .	8.6" (220 mm) diameter x
Models . . . . .	13381-005 – 8 ohms		12.6" (321 mm) long
	13381-006 – 16 ohms	Weight . . . . .	13381-005 & -006: 6.0 lbs (2.75 kg)
	13381-007 – 70V		13381-007 & -008: 7 lbs (3.2 kg)
	13381-008 – 100V	Operation Temperature Range . . . . .	-20° C to + 55° C
Transformer . . . . .	13381-007; 70.7V	Weatherproof Rating . . . . .	NEMA Type 4, 4X, 13
	13381-008; 100V	Approvals . . . . .	Class I, Div 2, ABCD T2C (230° C) at +55° C
Dispersion . . . . .	130° @ 4 kHz		Class I, Div 2, ABCD T2D (215° C) at +40° C
			Class II, Div 2, FG T5 (100° C) at +55° C
			Class II, Div 2, FG T6 (85° C) at +40° C
			Class III, Div 1 & 2, T5 (100° C) at +55° C
			Class III, Div 1 & 2, T6 (85° C) at +40° C
			UL File: E165792
			UL1480 & 1480A

# UL Division 2, 25 Watt Speakers

13381-005 to 13381-008 Series



Pictured Left: Dimensional Drawing



**USA** Toll Free 1 (800) 492-1212 Tel (610) 777-1374  
**UK** Tel +44 (0)1283 500500  
**Italy** Tel +39 02 48601460  
**Asia** Tel +(65) 6282 2242 (Press 4 for GAI-TRONICS)  
**Australia** Tel 011-61-28-851-5000

Visit Our Website: [www.gai-tronics.com](http://www.gai-tronics.com)

Quality Management System Certified by DNV-GL - ISO 9001:2015. The policy of GAI-TRONICS is one of continuous improvement; therefore the company reserves the right to change specifications without notice.

