

Industrial Acoustic Hood - 23dB

For Industrial Intercom Models



Outer Shell:

General Purpose Resin continuous filament mat

Fire Resistance:

BS476 Part 7 Class 2 Surface Spread of Flame

Acoustic Insulation:

50mm Tissue faced non hygroscopic Rockwool RW3, Density 60kg/m³

Insulation Liner:

White Perforated Polypropylene, 3mm thickness

Equipment Mounting Plate (Gear Plate):

316 (Marine) grade Stainless Steel, 2mm thickness,

Mounting Brackets (Straps):

316 (Marine) grade Stainless Steel 6mm

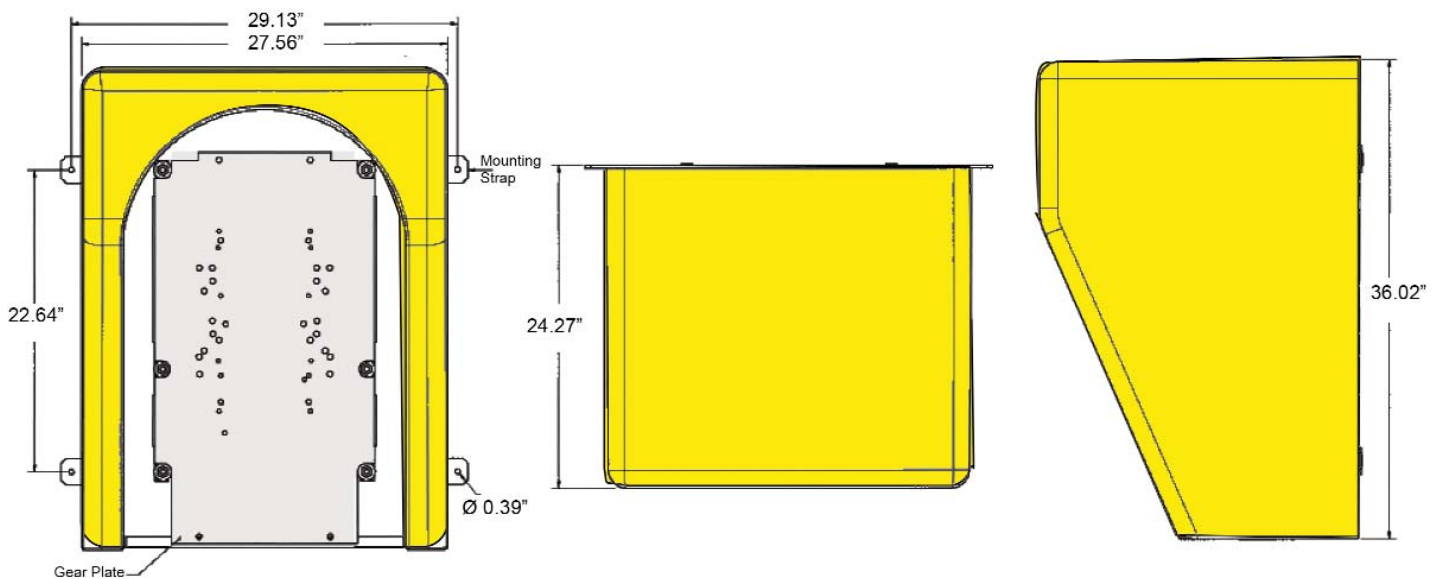
Color Variants:

988-60-0002-701 – Yellow (RAL 1006)

988-60-0002-705 – Orange (BS 381C 952)

Weight:

Approx 27 kg



Gear/Equipment Plate Pre-Drilled To Mount GAI-TRONICS Equipment

Weatherproof Page/Party



Indoor Multi-Party



Indoor Single Party



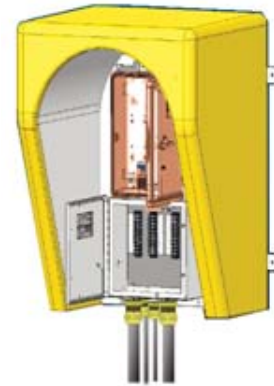
Division 1 Page/Party



Weatherproof ICS



ICS Marine station



Indoor ICS



Zone 2 ICS



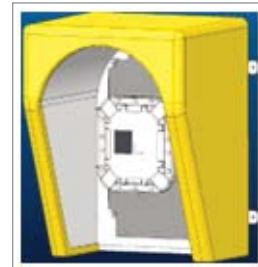
EZ Page



RigCom



Division 1 & Zone 1 ICS



Division 1 Telephones



Division 1 Digital Intercom



Division 2 Digital Intercom

