

## Features

- **Multicast VoIP Technology**
- **Serverless Architecture**
- **Full Duplex Communication**
- **Five Party Lines**
- **AC (120/230v) and DC (24v) Versions**
- **Efficient 30 Watt Class D Amplifier**
- **Ambient Level Sensing (ALS)**
- **Remote Terminal Unit (RTU) Operation for Input/Output Applications**
- **Remote Monitoring**

## Options

- **Five Paging Zones**
- **Hazardous Area Approvals**
- **Handset or Speaker Amplifier Station**
- **PVC or Hytrel® Handset Cords**
- **CAT5/5E or Fiber Optic Network Connection**



SP2 is one of GAI-TRONICS' most advanced paging and intercom systems. Combining the simplicity of "press to page, release to party" operation with cutting-edge multicast Voice over Internet Protocol (VoIP) technology, SP2 is capable of providing virtually instant communication in the most demanding of environments.

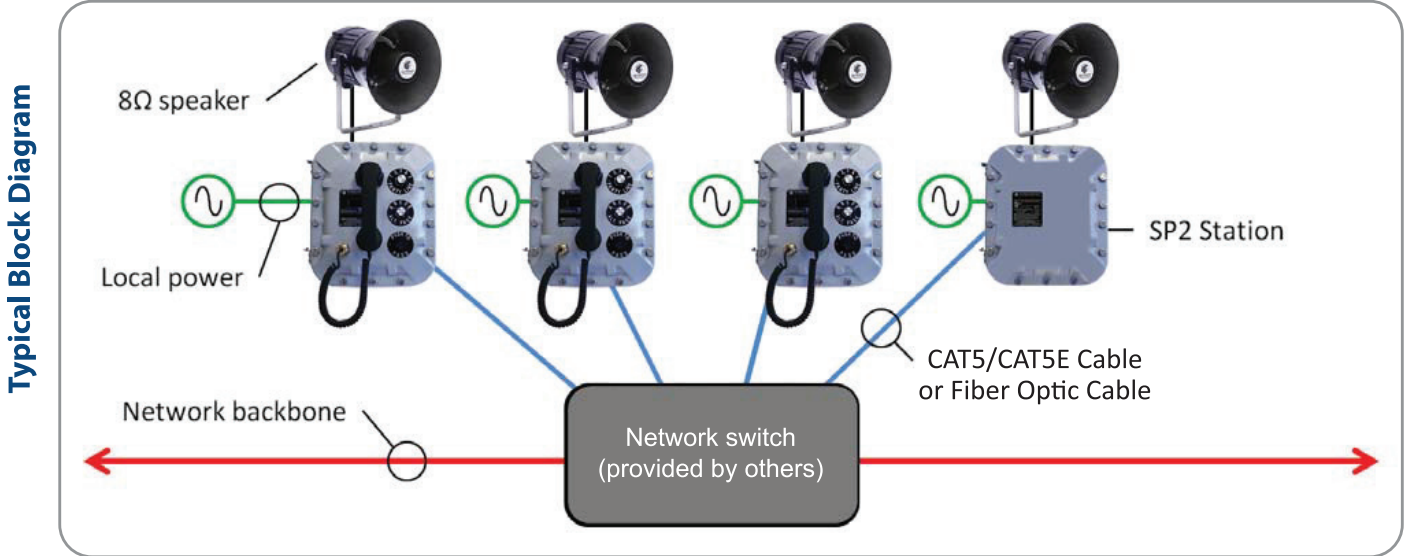
SP2 is a serverless system. While other systems rely on servers to route calls and administrate the system, SP2 uses multicast technology, bypassing the need for servers and resulting in a number of benefits.

SP2 is fast. Since no server is needed to set up call routing and conference bridges, SP2 can provide immediate one way paging and full-duplex "party line" communication.

SP2 is simple. No keypad, no extensions to memorize. Simply lift the handset, select a paging zone, squeeze the handset pressbar and make an announcement over the system speakers. Release the pressbar and talk on one of the five available party lines.

SP2 is reliable. There are no servers to fail or need updates. SP2 will also notify you of any problems via e-mail.

SP2 is flexible. Every SP2 station is capable of being configured with unique characteristics, including priority, zone destinations, volume levels and so on. Indoor, weather-proof and hazardous area stations with worldwide approvals are available, ensuring that SP2 can be used everywhere it's needed.



Hazardous Area SP2 Part Numbers									
	Outdoor Wall-Mount	Party Lines	Station Type	Connection/Control	Handset	Approval	Gray Epoxy Finish	Options	Entries
	9	2	X	X	X	X	5	X	X
		Amp Only 0 Multi-party 5		Ethernet with RTU 2 Ethernet with ALT Page and RTU 4 Fiber with RTU* B Fiber with Alt Page and RTU* D	None 0 6' PVC 1 15' PVC 2 25' PVC 3 6' Hytrel® 4 15' Hytrel® 5 25' Hytrel® 6	UL CI D1 ATEX Zone 1 IEC Zone 1	C E G	No Options 0 Trop TR A	
<b>Note:</b>		AC Handset/Speaker 1 AC Speaker 3 DC Handset/Speaker 5 DC Speaker 7							UL 1 2x1.5NPT 2x0.75NPT ATEX/IEC 2 2xM40 2xM20
<b>Example:</b> An outdoor wallmount, AC-powered SP2 station with a 6' PVC handset cord, UL Class I, Div. 1 approvals, gray paint with no options selected and NPT entries is part number <b>925-141C501</b> .									

### Specifications

#### Electrical

AC Supply Voltage ..... 120/230 V ac  
 Input frequency range ..... 50/60 Hz  
 DC Supply Voltage ..... 24 V dc  
 Network Requirements ..... 100Base T network with IGMP

#### Handset

Microphone ..... Dynamic, noise-cancelling  
 Microphone Noise Discrimination ..... 18dB @ 250Hz  
 Receiver ..... Dynamic, hearing aid compatible  
 Material ..... ABS  
 External Control ..... Push-to-page handset pressbar

#### Speaker Amplifier

Max Output ..... 30W into 8Ω load

#### Mechanical

Construction ..... Cast Aluminum  
 Finish ..... Gray Epoxy  
 Dimensions (overall) ..... 14.3 H x 13.06 W x 11.68 D inches  
 (363.3 x 331.8 x 296.6 mm)  
 Temperature range ..... -4° F to +140° F (-20° C to +60° C)  
 Relative Humidity ..... 95%, non-condensing

#### Network Connection

CAT5/5E Stations ..... Screw Terminals  
 Fiber Optic Station ..... Standard SFP Port

#### Approvals

NRTL Listed (USA and Canada) Hazardous locations:  
 Class I, Division 1, Groups B, C, D  
 ATEX / IECEx Certified ..... II 2 G Ex db [ib] IIB + H2 T6 Gb