

25 Watt UL Class II Division 1 Speakers

13310-4xx for Dust Environments



The **13310 integral re-entrant horn** loudspeakers are UL and cUL approved for Class II Division 1 rated areas.

Their aluminum driver enclosures are rated type 4X making them ideal for arduous outdoor environments.

All model offerings are fitted with a 316 stainless steel mounting bracket as standard.



| Part# | Version | Output |
|-----------|---------|--------------------|
| 13310-411 | 16 ohm | 25W |
| 13310-412 | 8 ohm | 25W |
| 13310-413 | 70V | 25W, 12.5W, 6W, 2W |

Specifications

Audio:

Rated Power..... 25W RMS
 SPL 83dB +/- 3dB @ 1w @ 1m
 97dB +/- 3dB @ 25w @ 1m
 Frequency Range..... 300Hz to 8000 Hz
 Directivity Index..... 7.5@ 1kHz, 17.5@ 4kHz

Approvals:

UL, cUL
 Class II Division 1, FG, T6, Ta -40° C to +70° C
 Class II Division 2, FG, T6, Ta -40° C to +70° C
 Class III Division 1 & 2
 UL 1480 Ed. 6

Mechanical:

Weather Rating NEMA 4, 4X, 3R, 13
 Driver Enclosure: Marine grade Aluminum LM6,
 chromated & powder coated
 Horn Flare High Impact ABS
 Mounting Bracket 316 Stainless Steel
 Cable Entries: 1 x 1/2" NPT entry, 2 x 20mm Stopped Entries*
 Color Gray (RAL7038)
 Weight Impedance 9.1lbs, transformer 9.9lbs

Environmental:

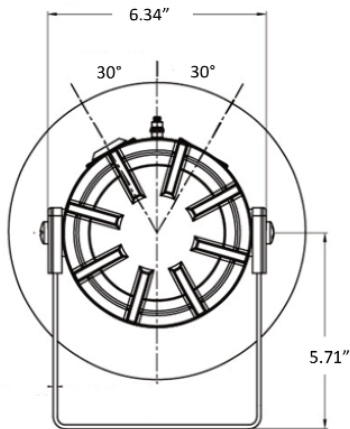
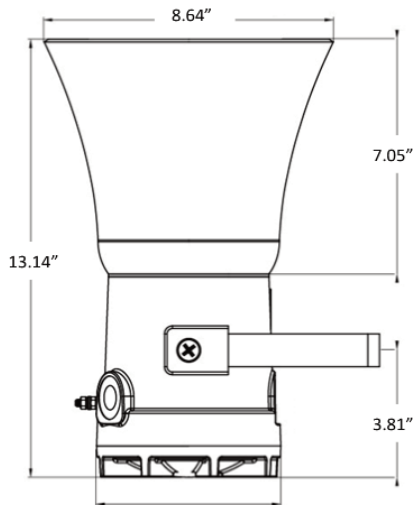
Operating Temperature -40° F to +158° F
 Storage Temperature -58° F to +158° F

25 Watt UL Class II Division 1 Speakers

13310-4xx for Dust Environments

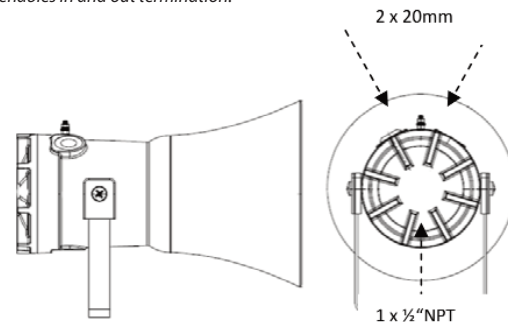


Dimensions



* All versions are fitted with one (1) 1/2 inch NPT entry and two (2) 20mm entries. The 20mm entries are fitted with brass stopping plugs as standard. In addition a 1/2" NPT brass stopping plug is provided.

Part number GTRFP9051-112 comprises two (2) brass 20mm to 1/2" NPT adaptors. When used in conjunction with the stopping plug provided enables in and out termination.



USA Toll Free: 1 (800) 492-1212 Tel: (610) 777-1374 Fax: (610) 796-5954 www.gai-tronics.com
 UK Tel: +44 (0)1283 500500 Fax: +44 (0)1283 500400 www.gai-tronics.co.uk
 Italy Tel: +39 02 48601460 Fax: +39 02 93663110 www.gai-tronics.com
 Asia Tel: +(65) 6282 2242 (Press 4 for GAI-TRONICS) www.gai-tronics.com
 Australia Tel: 011-61-28-851-5000 Fax: 011-61-29-899-2490 www.austdac.com.au



Quality Management System Certified by DNV-GL - ISO 9001:2015. The policy of GAI-TRONICS is one of continuous improvement; therefore the company reserves the right to change specifications without notice.



Pub. 151101 Rev 10/2016