

Features

- **High Visibility, Even in Daylight**
- **UL Listed for Outdoor Wet Locations**
- **Low Operating Temperature**
- **240 Flashes Per Minute**
- **UL/cUL Listed**
- **Dry Contact Closure Output**
- **12–24 V dc Input**



The Model 541-001 LED Strobe offers constant on/off modes with flashing operation in a low-voltage, 12–24 V dc package. The 541-001 also includes a secondary contact closure output for auxiliary equipment control. In the constant-on mode, the glow of the LED tower remains steady for location purposes and, when activated, will flash at a rate of 240 flashes per minute. Activation in this mode is primarily controlled by a connected GAI-TRONICS Emergency Telephone. GAI-TRONICS RED ALERT Emergency Telephones are typically installed in public and private areas such as college/business campuses, parking facilities/lots, shopping malls, hospitals, sports arenas, and amusement parks.

In the constant-off mode, the LED tower remains off when not in use but will flash at a rate of 240 FPM when activated. This mode of operation permits use of the Model 541-001 in non-emergency or standard strobe applications. Modes of operation are easily field-programmable.

The Model 541-001 LED Strobe is designed for easy installation in our free-standing or wall-mount towers and communication stations. Additionally, it can be freely mounted to any flat surface utilizing a model 4115A Mounting Bracket.

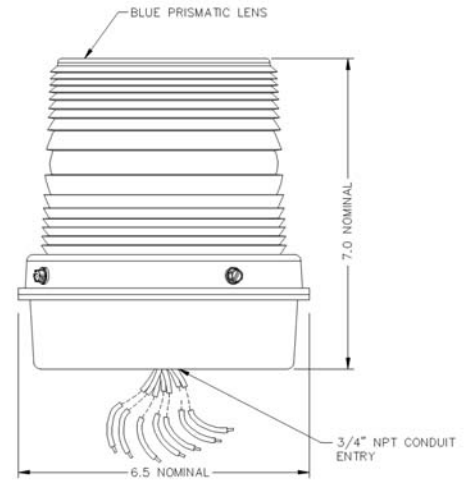
GAI-TRONICS' "Blue Light" LED Strobe design offers benefits such as:

- The constant-on, blue "glow" easily identifies the nearest GAI-TRONICS telephone, even in sunlight.
- LED technology greatly reduces maintenance costs (no bulbs to replace).
- Low power consumption provides energy savings over incandescent and fluorescent bulb models.

Each strobe package includes a 3/4" NPT adapter to raise the strobe position in a model 234 free-standing tower installation, if desired.

Specifications

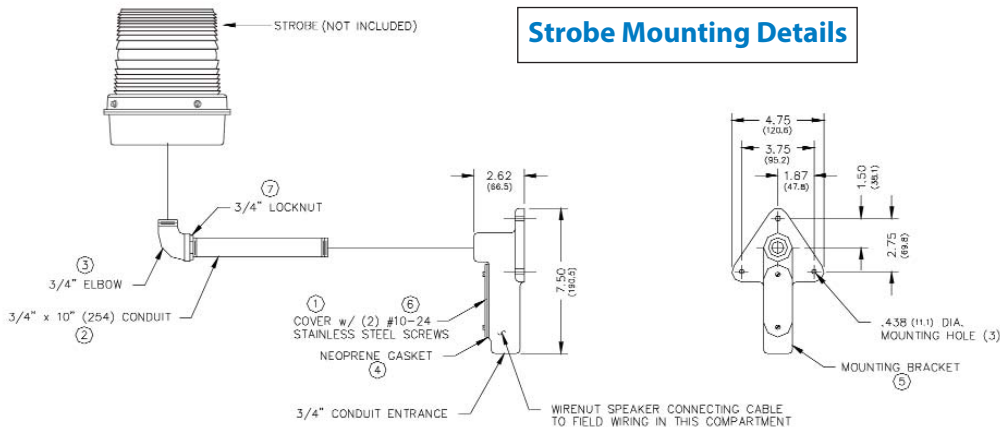
| | |
|---|---|
| Operating voltage | 12–24 V dc |
| Nominal current | 1.1 A maximum @ 12 V dc, 0.5 A maximum @ 24 V dc |
| Rated LED life | Up to 100,000 hours |
| Flashes per minute | 240 |
| Auxiliary contact maximum rating | 2 amps @ 30 V dc; 2 amps @ 240 V ac |
| Operating (environment) temperature range | -40° C to +66° C (-40° F to + 150° F) |
| Environmental | UL "Outdoor Wet" Locations |
| Terminations (dc, control, auxiliary contact) | 15-ft. No. 18 AWG wire |
| Construction: | |
| Base: | Die-cast aluminum (black powder coat) |
| Dome: | Polycarbonate (blue) |
| Dimensions | 7.00 H x 6.50 W inches (177.8 x 165.1 mm) |
| Shipping weight | 6.5 lbs (2.9 kg) |
| Mounting | 3/4 inch NPT female |
| Approvals | UL 1638A / CSA C22.2 No. 205-17 |



Accessories

The Model **4115A Surface-Mount Strobe Mounting Bracket Assembly** includes the following components:

- Aluminum wall-mounting bracket, 3/4" NPT entrance and exit
- Gasketed access cover with stainless steel screws
- 10" galvanized conduit pipe nipple
- 3/4" NPT, 90° aluminum elbow
- Pipe nipple lock nut



Note: GAI-TRONICS' telephones and strobes are sold separately.