

Features

- Multicast VoIP Technology
- Serverless Architecture
- Full Duplex Communication
- Five Party Lines
- PoE or PoE+ Operation
- Ambient Level Sensing (ALS)
- Efficient Class D Amplifier with up to 14 Watt output
- Remote Terminal Unit (RTU) Operation for Input / Output Applications
- Remote Monitoring
- CAT5/5E Network Connection



Options

- PVC or Hytrel® Handset Cords
- Desktop, Desk-edge or Flush-mount Subset

SP2 is one of GAI-Tronics' most advanced paging and intercom systems. Combining the simplicity of "press to page, release to party" operation with cutting-edge multicast Voice over Internet Protocol (VoIP) technology, SP2 is capable of providing virtually instant communication in the most demanding of environments.

SP2 is a serverless system. While other systems rely on servers to route calls and administrate the system, SP2 uses multicast technology, bypassing the need for servers and resulting in a number of benefits.

SP2 is fast. Since no server is needed to set up call routing and conference bridges, SP2 can provide immediate one way paging and full-duplex "party line" communication.

SP2 is simple. No keypad, no extensions to memorize. Simply lift the handset, squeeze the handset

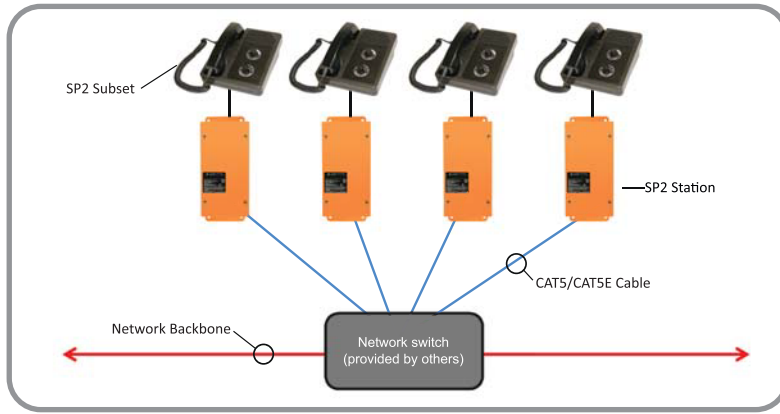
pressbar and make an announcement over the system speakers. Release the pressbar and talk on one of the five available party lines.

SP2 is reliable. There are no servers to fail or need updates. SP2 will also notify you of any problems via e-mail.

SP2 is flexible. Every SP2 station is capable of being configured with unique characteristics, including priority, zone destinations, volume levels and so on. Indoor, weatherproof, remote and hazardous area stations with worldwide approvals are available, ensuring that SP2 can be used everywhere it's needed.

SP2 Remote stations are comprised of two parts; a remote amplifier and a subset connected together with a cable with standard DB25 connectors. Various available subset types provide greater installation options.

Typical System Diagram



Desktop, Desk-edge and Flush-mount Subset SP2 Part Numbers

8	Mounting X	5-Party Lines 5	Subset 0	Subset 0	Handset X	Approval X	Finish X	Options X	0
Desktop Subset 4 Flush-mount Subset 5 Deskedge Subset 6		6' PVC 1 15' PVC 2 25' PVC 3		6' Hytrel® 4 15' Hytrel® 5 25' Hytrel® 6 6' (Desktop Only) 8		UL Safe Area A CE B		No Options 0 Trop TR A	
						Orange 1 Gray 2 Black (Desktop Only) 3			

Remote Amplifier SP2 PoE/PoE+ Part Numbers

9	Indoor Wall-mount 3	Remote 0	PoE/PoE+ Station D	Ethernet with RTU 2	Remote 0	UL Safe Area R	Finish X	Options X	0
						Orange 1 Gray 2		No Options 0 Trop TR A 70/100V R 70/100V, TR S	

Specifications

Electrical

Power Supply PoE/PoE+
Network Requirements 100Base T network with IGMP

Handset

Microphone Dynamic, noise-cancelling
Receiver Dynamic, hearing aid compatible
Material ABS
External Control Push-to-page handset pressbar

Speaker Amplifier

Max Output 14W into 8Ω load with PoE+
6W into 8Ω load with PoE
10W into 70/100v load with PoE+
5W into 70/100v load with PoE

Mechanical (Remote Amplifier)

Construction 16 gauge cold-rolled steel
Finish Safety orange powder coating
Dimensions 12.5 H x 5.25 W x 7.34 D inches
(317.5 x 133.4 x 188.4 mm)
Temperature Range -22° F to +140° F (-30° C to +60° C)
Relative Humidity 95%, non-condensing

Network Connections

CAT5/5E Stations Screw Terminals

Approvals

Electrical Safety UL 60950,
CAN/CSA-C22.2 No 60950

