

TITAN VoIP ILLUMINATED

Crossing Telephone for AHB



- **Designed for AHB Level Crossings**
- **SIP Compatible (RFC3261)**
- **Large Illuminated Panel**
- **Raised Stainless Steel Button**
- **Soft Sprung Door with Magnetic Catch**
- **Industry standard robust handset c/w armoured cord**
- **Selectable Call Timer**
- **Diversion (Memory List)**
- **Power over Ethernet Compatible**
- **Real-Time Alarm Reporting via SNMP**
- **Robust and Weather Resistant Up to IP66**
- **CE compliant**

NETWORK RAIL APPROVAL PENDING

The Titan Illuminated Crossing telephone is specifically designed for installation at automatic half barrier (AHB) level crossings.

The telephone is fitted with a white back-lit legend panel, which can be used to provide visible instructions at night. A translucent legend sheet can be fitted into the slot provided, accessible only from inside the weather resistant seal

The raised press-to-call button is stainless steel and vandal resistant. The handset is rugged, has an armoured cord and an integrity loop that will disconnect the illumination when broken (for example if vandalised).

The door uses a soft spring and magnetic catch, giving an ingress protection rating up to IP66 with the door closed.

Titan brings state of the art design and technology to metal bodied weather and vandal resistant telephones. It is simple to install and fixings are concealed from view. Cable entries are via standard 20mm glands.

GAI-TRONICS VoIP-SIP telephones support Power over Ethernet (PoE) to combine power and connection to LAN or WAN. GAI-TRONICS VoIP-SIP phones are configured with SNMP and offer a wealth of additional features including real-time reporting via SNMP.

Titan VoIP Illuminated Crossing Phone - Technical Specifications

GENERAL SPECIFICATIONS

Casing material:

Die-cast aluminium, polyester powder coated (yellow)

Handset Material:

Cyclopol with stainless steel spiral cord

Signalling button:

Raised, stainless steel, vandal resistant button

Illuminated panel:

83x90mm LED backlight (white).

Includes a receptacle for a legend sheet (66x81mm), accessible from inside the case only Illumination is disconnected if the handset is vandalised

Hookswitch:

Magnetic / electronic. No moving parts

Temperature:

Operating: -20°C to +60°C

Storing: -40°C to +70°C

Relative Humidity:

Up to 95% (non-condensing)

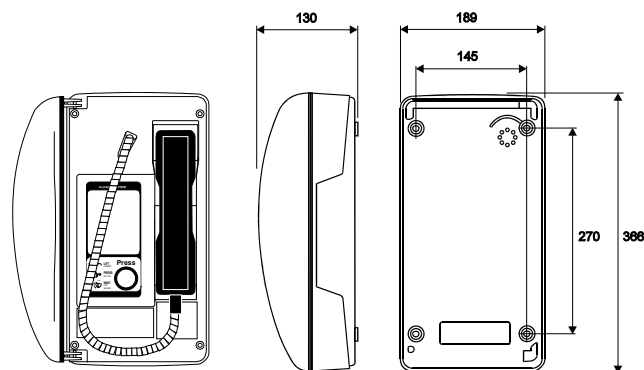
Weight:

5kg approx

Dimensions:

H 366 x W 189 x D 130 mm with door closed

DIMENSIONS



APPROVALS



This mark indicates compliance with the following directives:

EMC Directive 2014/30/EU,
Low Voltage Directive 2014/35/EU,
RoHS 2 Directive 2011/65/EC,

Safety
EMC

BS EN 60950-1, EN60371
BS EN 50121-4, BS EN 55022,
BS EN 55024



This mark indicates compliance for inductively coupling to Hearing Aids having a 'T' switch position

Tested to ETS 300-381 and in accordance with ITU-T P37



Certificate of Acceptance Number (pending)

OPTIONAL ACCESSORIES

Please ask for Datasheet **B150** or visit www.gai-tronics.co.uk

T: +44 (0) 1283 500500 E: sales@gai-tronics.co.uk

VOICE over IP - SIP

Connection type

RJ45 socket (inside sealed enclosure)

Power supply

External 24-48Vdc or Power-Over-Ethernet (PoE 802.3af compliant). Power requirement 7W max (4W idle)

Call set-up Protocol

Session Initiation Protocol (SIP) (RFC 3261) only

Configuration

Via SNMP. DHCP as standard, with fall back to Static IP address provisioning

External I/O

3 auxilliary inputs, 2 isolated relay outputs, capable of switching 230 Vac

ORDERING INFORMATION

Description	Part number	PADS Number	Typical application
Titan VoIP Illuminated Crossing Phone, 1 button, yellow	114-02-0111-152	Pending	AHB Level Crossings



UK: Tel: +44 (0) 1283 500500
USA: Tel: +1 (610) 777-1374
Italy: Tel: +39 02 4860 1460
Asia: Tel: +60-3-8945-4035
Australia: Tel: +61-28-851-5000

www.gai-tronics.co.uk
www.gai-tronics.com
www.gai-tronics.com
www.gai-tronics.com
www.austdac.com.au

