

ALUMINUM AND COPPER

Pad Extensions

Types FPX-2S and CFPX-2S

Adapters provide the means to connect virtually any required number of conductors to a transformer using NEMA two-hole terminal lugs.

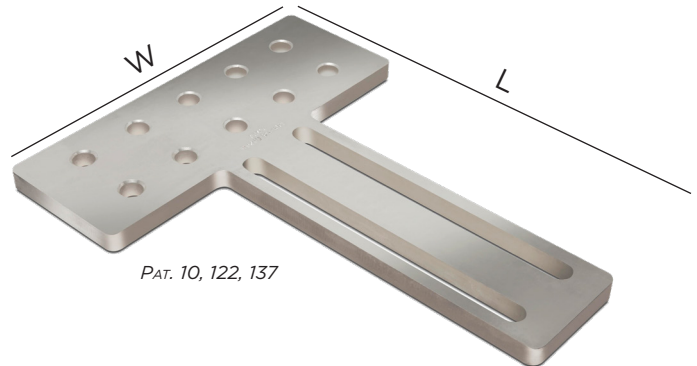
Stacking type terminal lugs can also be used where more conductor connections are required than available mounting positions.

Slotted rails allow for adjustable height for easy transformer reconnection/ replacement.

Stacking type terminal lugs can also be used where more conductor connections are required than available mounting positions.

Tin plated.

Voltage: Aluminum - 1050A, Copper - 1500A


Ordering and Specification Information

Catalogue Number	W	L	Pad Thickness	Hole Diameter	Number of Holes	Material
FPX-6-2S-50T	6"	12.75	.50	.56	6	6061-T6 Aluminum
FPX-8-2S-50T	8"	12.75	.50	.56	8	6061-T6 Aluminum
FPX-10-2S-50T	10"	12.75	.50	.56	10	6061-T6 Aluminum
FPX-12-2S-50T	10"	18.75	.50	.56	12	6061-T6 Aluminum
CFPX-6-2S-50T	6"	12.75	.50	.56	6	C110 Copper
CFPX-8-2S-50T	8"	12.75	.50	.56	8	C110 Copper
CFPX-10-2S-50T	10"	12.75	.50	.56	10	C110 Copper
CFPX-12-2S-50T	10"	12.75	.50	.56	12	C110 Copper