



- High density delivery of power, data, and AV.
- Stud or sheetrock mounting flexibility.
- Steel construction for residential MDU and commercial applications.
- Easily reconfigured to adapt to new applications.

FEATURES

- 2-Gang enclosure with 1½" and 1¼" conduit knockouts.
- Stud or sheetrock mounting integrated into the enclosure. No need for extra hardware.
- ABS trim ring quickly cleans up sheetrock rough-in.
- Aesthetically pleasing and durable white powder coated steel base.
- Optional screw on cover reduces tampering and protects connections.
- Mounts to hollow standard two cavity masonry blocks with optional adaptor.
- Position between studs in new construction applications with optional mounting brackets.

SPECIFICATIONS

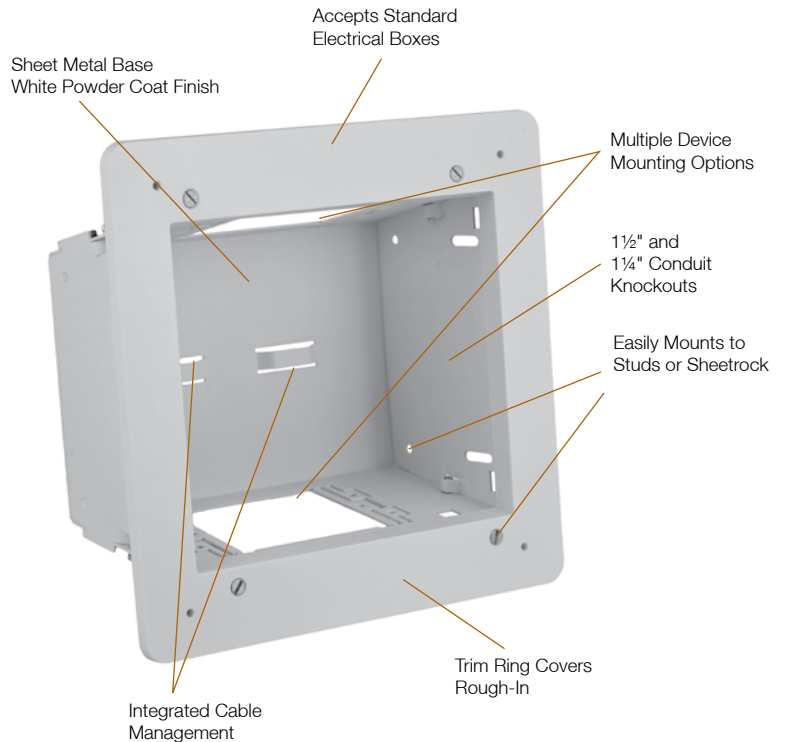
- Mechanical
 - 18 gauge cold rolled steel base
 - White powder coat finish
 - High impact ABS trim ring

STANDARDS/LISTINGS/VERIFICATIONS

- cULus 1863 listed
- UL V0 flame rating on ABS trim ring



Flat Panel Connection Enclosure



Hubbell’s netSELECT® FPTV connection enclosure delivers high-density connectivity and power in the wall. In-wall connections allow flat panel displays and interactive “smart” boards to sit flush without dangling cords. It quickly installs to studs or sheetrock without additional components or hardware.

The enclosure is designed to accommodate large bend radii associated with current cable types such as HDMI, DVI, RG6/UQ, and VGA. The base is constructed from 18 gauge cold rolled steel, which provides toughness and meets requirements for high-rise residential and commercial construction. The white powder coat finish provides durability and an appearance that blends into the wall.

APPLICATIONS

- Interactive Whiteboards
- Flat Panel Displays
- Home Theater
- Information Displays
- Small Wireless APs
- Multimedia Workstations



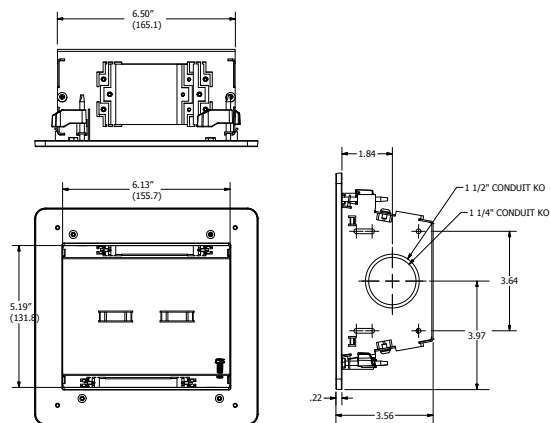
ORDERING INFORMATION

FPTV Connection Enclosure

| Description | Color | Catalog Number |
|-----------------------------|-------|----------------|
| 2-Gang In-Wall Enclosure | White | NSAV62M |
| Steel Cover with Cable Exit | White | NSAV6C |
| Blank Steel Cover | White | NSAV6CB |
| Block Wall Adaptor | White | NSAV6BW |
| New Work Stud Brackets | - | NSAV6NW |



DIMENSIONS



ACCESSORIES

Power Kits

| Description | Color | Catalog Number |
|---------------------------|-------|----------------|
| Standard Power Kit | White | NSOKPTR |
| Surge Protected Power Kit | Blue | NSOKPS |



Unloaded Plates and Frames

| Description | Color | Catalog Number |
|---------------------------|-------|----------------|
| 1-G Blank Plate | White | NP14W |
| 1-G Decorator Plate | White | NP26W |
| 1-G iSTATION Plate | White | IMF1W |
| 1-G 4-Port Keystone Plate | White | NSP14W |



AV Connectors and Plates

| Description | Color | Catalog Number |
|----------------------|-------|-----------------|
| 1-Port HDMI Frame | White | NS801W |
| 2-Port HDMI Frame | White | NS802W |
| HDMI Snap Fit | Black | SFHCBK |
| F-Connector Snap Fit | White | NSF70W |
| USB A-to-B Snap Fit | White | SFUSBABW |
| Cat 6 Snap Fit Jack | White | NSJ6W |



INTEGRATED SOLUTIONS



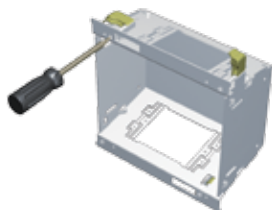
Hubbell iSTATION and Cross Connect Solutions

- Front Loading Hubbell iSTATION Plates/Modules
- Style Line® Frames
- X-END AV Cabling Solution
- Keystone Plates
- AV Modules
- AV Keystone Connectors
- Data Connections



MOUNTING OPTIONS

Mounts to Sheetrock

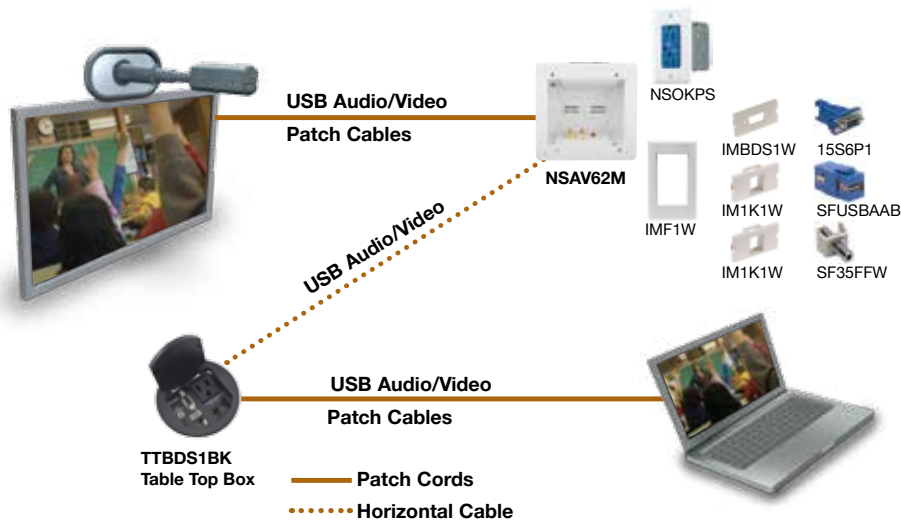


Mounts to Studs



TYPICAL APPLICATION

INTERACTIVE WHITE BOARD EXAMPLE



www.hubbell-wiring.com / www.hubbell-premise.com

