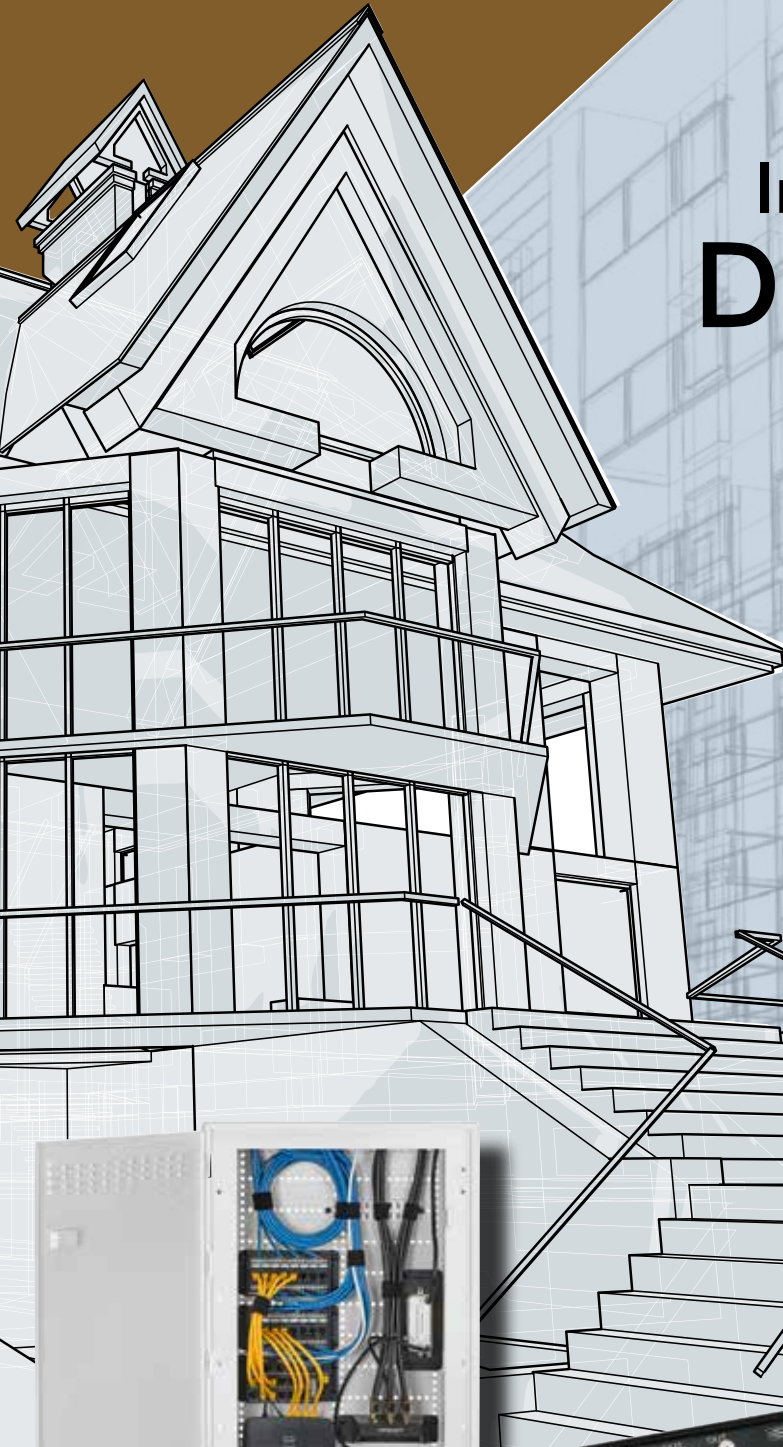


**HUBBELL**<sup>®</sup>  
Premise Wiring



# Infrastructure for Digital Lifestyles



# AV over UTP



**Efficient** | Use UTP cable to save time, labor, space and materials



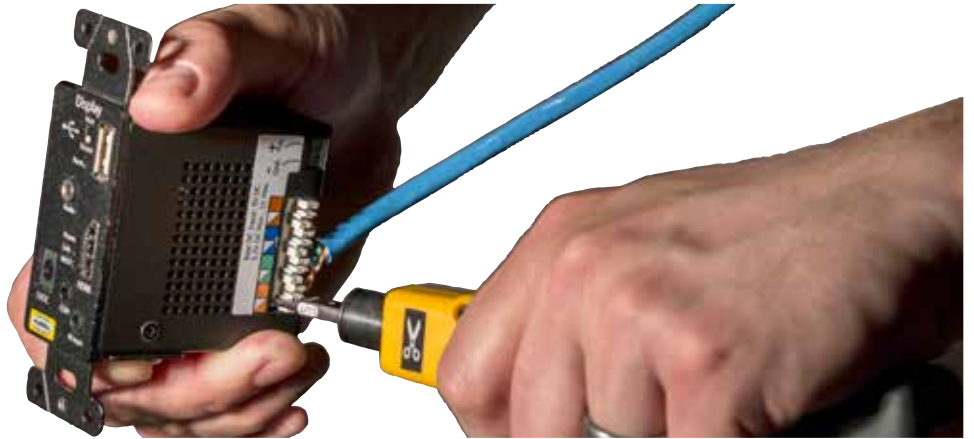
**Capable** | Send 4K, UHD HDMI up to 328 feet



**Integrated** | USB charging receptacle with 5V DC eliminates external power supplies

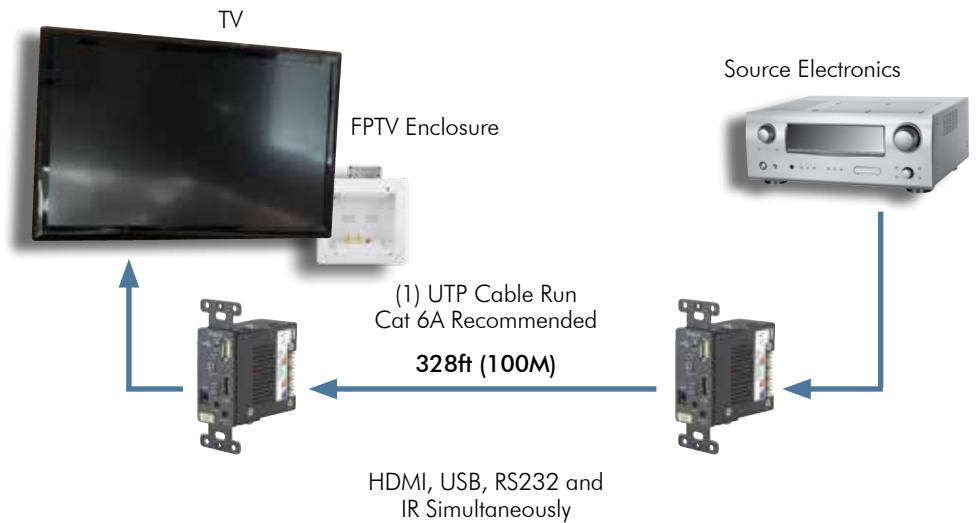
## Benefits

- Transmit over UTP cables
- Extend AV signals up to 328 feet with HDBaseT
- Quick 110 termination
- Utilize same cable for current and future applications



**AV Connections over UTP cabling** | Traditional AV cabling does not support networked AV delivery—terminations are time consuming, cable is expensive and thick relative to Cat5e and Cat6 cable. Hubbell AV Over UTP modules provide traditional 110 terminations that utilize readily available and cost effective UTP cable, reducing installation time and cost. UTP cable is also the cabling needed to support the transition toward IP based AV distribution and control. Combine with Hubbell's extensive line of AV and power connection boxes for floor, in-wall and furniture to provide a complete AV infrastructure.

## HDMI Over HDBaseT AV Distribution

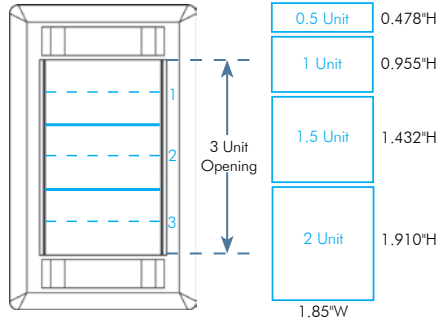


# AV Over UTP

netSELECT®

## USB 2.0 High Speed 110 Extenders, 100ft

Module 1.5 unit	
Color	Catalog Number
Black	<b>IMU11015BK</b>
Ivory	<b>IMU11015EI</b>
Gray	<b>IMU11015GY</b>
Office White	<b>IMU11015OW</b>
White	<b>IMU11015W</b>



## VGA and 3.5mm HD AV Extender, 75ft

Module 1.5 unit	
Color	Catalog Number
Black	<b>IM15311015BK</b>
Ivory	<b>IM15311015EI</b>
Gray	<b>IM15311015GY</b>
Office White	<b>IM15311015OW</b>
White	<b>IM15311015W</b>

## Tamper-Resistant Receptacle with 5V DC Power Output

USB charger		
Description	Color	Catalog Number
(1) USB port	Black	<b>AVPS152BK</b>
5A 5V DC output;	Ivory	<b>AVPS152EI</b>
15A 125V AC	Gray	<b>AVPS152GY</b>
decorator duplex	Office White	<b>AVPS152OW</b>
	White	<b>AVPS152W</b>

## HDMI AV Extender, 120–140ft

Color	Style Line®	2-Unit Module
Black	<b>ISFH110BK</b>	<b>IMH110ST2BK</b>
Ivory	<b>ISFH110EI</b>	<b>IMH110ST2EI</b>
Gray	<b>ISFH110GY</b>	<b>IMH110ST2GY</b>
Office White	<b>ISFH110OW</b>	<b>IMH110ST2OW</b>
White	<b>ISFH110W</b>	<b>IMH110ST2W</b>

## 4K UHD HDBaseT™ Frames and Modules

4K HDMI, USB, 3.5mm audio, RS232, IR extender, black, single 4-pair UTP cable installation, up to 328ft (100m); 5V DC Power Supply required on each end (sold separately)

Description	Catalog No.
Kit	<b>ISFHD4BK</b>
Transmitter	<b>ISFHDT4BK</b>
Receiver	<b>ISFHDR4BK</b>

## HDBaseT™ AV Switching Transmitters

Auto-switching AV HDBaseT transmitters with USB, RS232, IR, black, single 4-pair UTP cable installation; combine with ISFHDR4BK to complete system; 5V DC power supply required on each end (sold separately)

Description	Catalog No.
(1) VGA, (1)HDMI Transmitter	<b>ISFHDT421BK</b>
(3) HDMI Transmitter	<b>ISFHDT431BK</b>

## 110 AV Modules, 100ft

1.5 unit			1 unit	
Color	RCA Component Video, Left/Right Audio	RCA Component Video, 3.5mm Audio	RCA Component Video, HD	RCA Left/Right Audio
Black	<b>IMCAR11015BK</b>	<b>IMC3511015BK</b>	<b>IMCR1101BK</b>	<b>IMAR1101BK</b>
Ivory	<b>IMCAR11015EI</b>	<b>IMC3511015EI</b>	<b>IMCR1101EI</b>	<b>IMAR1101EI</b>
Gray	<b>IMCAR11015GY</b>	<b>IMC3511015GY</b>	<b>IMCR1101GY</b>	<b>IMAR1101GY</b>
Office White	<b>IMCAR11015OW</b>	<b>IMC3511015OW</b>	<b>IMCR1101OW</b>	<b>IMAR1101OW</b>
White	<b>IMCAR11015W</b>	<b>IMC3511015W</b>	<b>IMCR1101W</b>	<b>IMAR1101W</b>



USB 110 Extenders  
IMU11015OW



HD AV Extenders  
IM15311015OW



HDMI AV Extender  
ISFH110OW



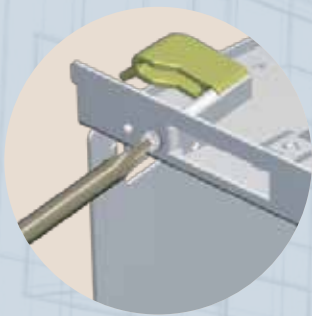
AV Switching Transmitter  
ISFHDT431BK



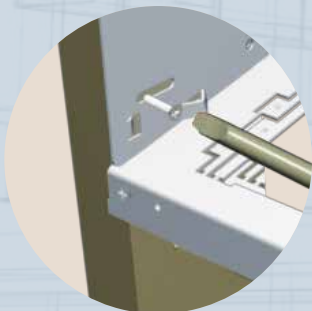
# In-Wall AV Delivery



Optional screw-on cover reduces tampering and protects connections



Mounts to sheetrock



Mounts to studs

**Flat Panel TV** installations demand the best connections to assure optimum image quality. Hubbell has engineered a metal recessed enclosure that accommodates connections for HDMI, DVI, RG6/UQ and VGA, allowing large, high density cables to fit in the smallest footprint possible. Compatible with a wide variety of TV mounts, this FPTV enclosure provides an in-wall, structured network for multimedia connections and cables.

## In-wall delivery of multimedia and power



Enclosure with 15 Amp duplex receptacle kit for power

Enclosure scenarios:

- Cat 6 jack for smart TV
- Double HDMI with wallplate

Cabling scenarios:

- Device-to-device HDMI cable
- Two HDMI in-wall cables

Alternate output available for connection to other equipment (computers, game systems, etc.)

Connection scenarios:

- Coax cable in from provider
- Dual HDMI
- RCA component video from source electronics and auxiliary equipment

# In-Wall AV Delivery

netSELECT®

## Specifications



- 18 gauge cold rolled steel base
- White powder coat finish
- High impact thermoplastic ABS trim ring
- Ideal for new construction or renovation



## Standards

- cULus 1863 listed
- UL V0 flame rating on ABS trim ring

## FPTV Connection Enclosure

Description	Height Inches (mm)	Width Inches (mm)	Depth Inches (mm)	Color	Catalog No.
2-gang in-wall enclosure	8.16" (207)	7.92" (201)	3.37" (86)	White	<b>NSAV62M</b>
4-gang in-wall enclosure	8.16" (207)	15.8" (401)	3.37" (86)	White	<b>NSAV124M</b>
Steel cover for NSAV62M	7.2" (183)	7.2" (183)	0.05" (1)	White	<b>NSAV6C</b>
Steel cover for NSAV124M	7.2" (183)	14.4" (366)	0.05" (1)	White	<b>NSAV12C</b>
Block wall adapter, compatible with NSAV62M					<b>NSAV6BW</b>
New work stud brackets					<b>NSAV6NW</b>

## Power Kits

Description	Color	Catalog No.
Standard power kit	White	<b>NSOKPTR</b>
Surge protected power kit	Blue	<b>NSOKPS</b>

## Feed-Through Plates

Description	Color	Catalog No.
1-gang	Ivory	<b>NSAV1I</b>
	White	<b>NSAV1W</b>
2-gang	Ivory	<b>NSAV2I</b>
	White	<b>NSAV2W</b>

## Recessed Receptacles

Description	15A 125V, Tamper-Resistant Duplex Receptacle		
	Color	1-Gang	2-Gang with Feed-Through
Ivory	<b>RR1510I</b>	<b>RR1512I</b>	<b>RR1514I</b>
Light Almond	<b>RR1510LA</b>	<b>RR1512LA</b>	<b>RR1514LA</b>
White	<b>RR1510W</b>	<b>RR1512W</b>	<b>RR1514W</b>

## Gangable AV Wall Boxes, 2- and 3-Gang

Box	Catalog No.
2-Gang, 2" KO, 54in <sup>3</sup> capacity	<b>HBL985</b>
3-Gang, 2" KO, 79in <sup>3</sup> capacity	<b>HBL986</b>
Divider for low voltage	<b>HBL989</b>
Divider with pass-through for AVPS152 outlet	<b>HBL989AVD</b>



Cover  
NSAV6C



Feed-Through Plate  
NSAV1I



Recessed Receptacle  
RR1514LA



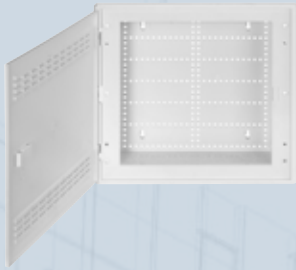
Gangable Wall Box  
HBL985

# Network Enclosures



## Specifications

- Material: high-impact thermoplastic to minimize Wi-Fi degradation
- Finish: White, satin finish
- cULus Listed



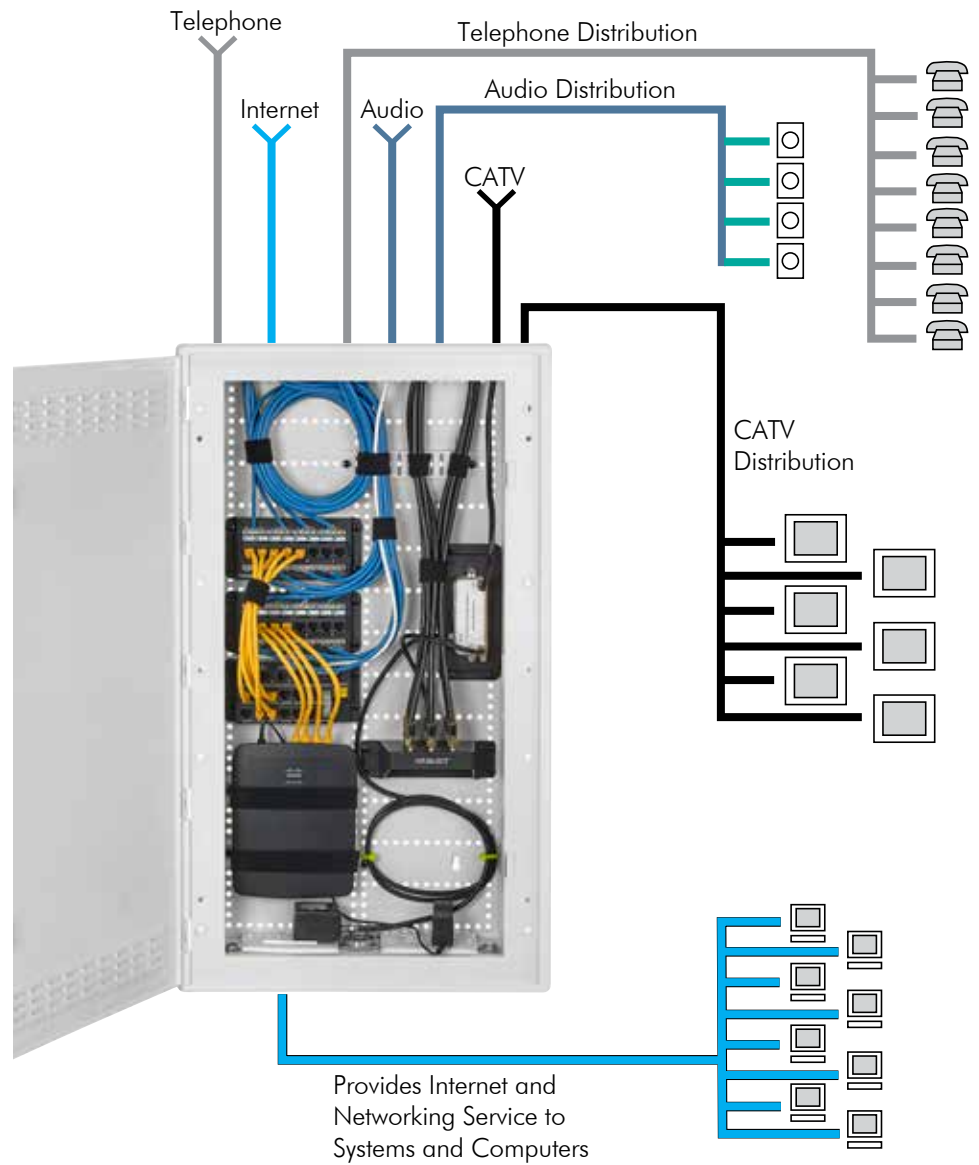
**Flexible** | Hinged cover can be mounted to swing from either side



**Options** | Horizontal and vertical module mounting holes provide maximum flexibility



**Installation** | Additional nylon push pins assist module mounting

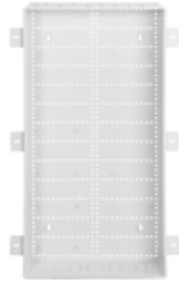


# Network Enclosures

netSELECT®



Box with Hinged Vented Door



Box Only



Hinged Vented Door

## 14-Inch Network Enclosure

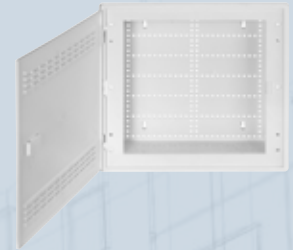
Description	Height Inches (mm)	Width Inches (mm)	Depth Inches (mm)	Module Unit Capacity	Catalog No.
With hinged vented door	16.2" (412)	17.5" (445)	4.35" (111)	5	<b>NSOBXP14</b>
14" height box only	13.5" (343)	17.1" (434)	3.95" (100)	5	<b>NSOBXP14B</b>
Hinged vented door	16.2" (412)	17.5" (445)	0.4" (10)	–	<b>NSOBXP14D</b>

## 28-Inch Network Enclosure

Description	Height Inches (mm)	Width Inches (mm)	Depth Inches (mm)	Module Unit Capacity	Catalog No.
With hinged vented door	30" (762)	17.5" (445)	4.35" (111)	11	<b>NSOBXP28</b>
28" height box only	27.7" (704)	17.1" (434)	3.95" (100)	11	<b>NSOBXP28B</b>
Hinged vented door	30" (762)	17.5" (445)	0.4" (10)	–	<b>NSOBXP28D</b>

## 42-Inch Network Enclosure

Description	Height Inches (mm)	Width Inches (mm)	Depth Inches (mm)	Module Unit Capacity	Catalog No.
With hinged, vented, 2-piece door	45.1" (1146)	17.5" (445)	4.35" (111)	16	<b>NSOBXP42</b>
42" height box only	42.6" (1082)	17.1" (434)	3.95" (100)	16	<b>NSOBXP42B</b>
Hinged vented door (2-piece)	45.1" (1146)	17.5" (445)	0.4" (10)	–	<b>NSOBXP42D</b>



14-Inch  
NSOBXP14



28-Inch  
NSOBXP28



42-Inch  
NSOBXP42





Combination Module  
NSOTVDM6



Expansion Telephone Module  
NSOPTM8



Multiport Telecom Module  
NSOMTM24



Multiport Telecom Module  
NSOMTM12



## Specifications

- Meets FCC Part 68 standard
- Finish: black, powder coat
- Material: 18 gauge steel or high impact plastic
- cULus Listed to UL1863
- All data and phone modules 568A wired

## Combo Modules

Description	Units	Catalog No.
6-port telephone panel and 6-port coaxial splitter with optional 6-port Category 5e panel provides voice, video, and data distribution in a space-efficient package; perfect for use with NSOBXP14 and NS790xx plates to quickly establish a comprehensive home network		
6-port telephone and video	3	<b>NSOTVM6</b>
6-port telephone, video and Category 5e	3	<b>NSOTVDM6</b>
6-port Category 5e data upgrade kit	3	<b>NSODK6</b>

## Primary Telephone Module

Description	Units	Catalog No.
8-port phone outlets with up to 4 incoming lines for voice, fax or modem applications in a protected PCB module; pre-mounted push pins snap the module quickly into place; RJ31X interface jack included for security system connection; RJ45 jack interfaces with optional NSOETM8 telephone expansion module for additional extensions	1	<b>NSOPTM8</b>

## Expansion Telephone Module

Description	Units	Catalog No.
8-port adds an additional 8 phone outlets with up to 4 incoming lines when used with the primary telephone module; pre-mounted push pins snap the module quickly into place; includes RJ45 jumper cord to connect with NSOPTM8 primary telephone module	1	<b>NSOETM8</b>

## Data Modules

Description	Units	Catalog No.
Category 5e data module, 8-port supports Gigabit Ethernet for up to 8 C5e data lines with front 110 punch-down terminations in a protected PCB module; pre-mounted push pins snap the module quickly into place	1	<b>NSODM8</b>
Category 6 data module, 8-port supports enhanced transmission speeds beyond Gigabit Ethernet; future-proof for tomorrows applications	1	<b>NSODM8C6</b>

## Patchable Telecom Module

Description	Units	Catalog No.
Terminates lines via modular plug to accommodate flexibility, by changing plug locations; reconfigure where phone lines go at the panel level; allows data lines to be converted to voice, with the move of a patch cord; includes nine RJ45 jumper cords	2	<b>NSOMTM24</b>

## Multi-Provider Patchable Telcom Module

Description	Units	Catalog No.
12-port telephone module distributes 4 incoming lines out to 12 locations through RJ-45 jacks; allows data lines to be converted to voice with the move of a patch cord; RJ31X interface jack is included for security system connection	1	<b>NSOMTM12</b>



# AV Modules

netSELECT®

## Specifications



- Finish: black, powder coat
- cULus Listed to UL1863



## 4-Way Coaxial Splitter Modules

One incoming line, four outgoing

Description	Units	Catalog No.
1 Ghz, basic unit	1	<b>NSOVM4</b>
2.3Ghz, enhanced capability	1	<b>NSOVM42G</b>

## 6-Way Coaxial Splitter Modules

One incoming line, six outgoing

Description	Units	Catalog No.
1 Ghz, basic unit	1	<b>NSOVM6</b>
2.3Ghz, enhanced capability	1	<b>NSOVM62G</b>

## 8-Way Coaxial Splitter Modules

One incoming line, eight outgoing

Description	Units	Catalog No.
1 Ghz, basic unit	1	<b>NSOVM8</b>
2.3Ghz, enhanced capability	1	<b>NSOVM82G</b>

## Fixed Video Amplifier Module

120 Volt rated

Description	Units	Catalog No.
Provides 10dB video signal amplification for incoming cable feeds recommended for use when more than four outputs are installed or when signal level is low; provides 10dB forward path gain and supports current digital cable systems and modems with a passive return; pre-mounted push pins snap the module quickly into place; includes RG-59 cable jumper to connect amplifier to passive video splitter	1	<b>NSOVAMP</b>

## Eight Room Audio Module

Description	Units	Catalog No.
Distributes audio from an amplifier to matching volume controllers; supports up to eight rooms of audio; power handling – 200W RMS@20° C; requires impedance matching volume controls	1	<b>NSOAM8</b>

## Blank Module Bracket

Description	Units	Catalog No.
Allows mounting of active components (i.e. switches, routers) or other devices onto a modular platform; (2) VELCRO® brand fasteners included to mount components onto module; pre-mounted push pins snap the module quickly into place; 2-pack	1	<b>NSOBM2</b>

VELCRO® is a registered trademark of Velcro Industries B.V.



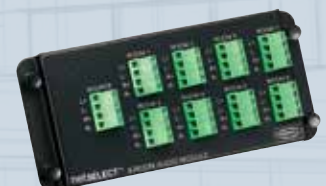
4-Way Coaxial Splitter  
NSOVM4



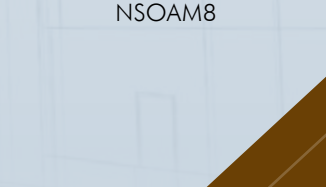
6-Way Coaxial Splitter  
NSOVM6



8-Way Coaxial Splitter  
NSOVM8



Fixed Audio Amplifier  
NSOVAMP



Eight Room Audio  
NSOAM8



Slide Volume Controller  
NSOSAVC



Rotary Volume Controller  
NSORAVC



Surge Receptacle  
NSOKPS



Panel Bracket Adapter  
NSOFSB



F-Connector Adapter Panel  
FSPFP6X



## Features and Benefits

- netSELECT® accessories enhance system capabilities
- Volume controls expand home audio applications
- Cabinet mounted receptacle kits provide convenient power to the enclosure
- Audio controls available in slide or rotary
- Receptacles available in surge and standard kits

### Slide Audio Volume Controller

Description	Color	Catalog No.
Decorator styling; power handling 70W RMS@20° C; impedance matching for up to 8 pairs of speakers; includes both ivory and white slides and frames	Ivory/White	<b>NSOSAVC</b>

### Rotary Audio Volume Controller

Description	Color	Catalog No.
Power handling 70W RMS@20° C; impedance matching for up to 8 pairs of speakers; includes both ivory and white knobs and frames	Ivory/White	<b>NSORAVC</b>

### Standard Power Kit

Description	Catalog No.
Includes duplex receptacle 15A 125V; NEMA 5-15R electrical steel box and wallplate	<b>NSOKPTR*</b>

### Surge Suppression Power Kit

Description	Catalog No.
Includes surge receptacle 15A 125V; NEMA 5-15R, 240 joules/15,000A protection; per mode; electrical steel box and wallplate	<b>NSOKPS*</b>

### Lock Kit

Description	Catalog No.
Chromed steel; includes two keys; eliminates unwanted tampering	<b>FLOCK1**</b>

### Panel Bracket Adapter

Description	Catalog No.
For use with adapter panels shown below and FSP series modules; snap mounts into structured cabling enclosures	<b>NSOFSB</b>

### F-Connector Adapter Panel

Description	Catalog No.
F-connector adapter panel with six populated coaxial connectors	<b>FSPFP6X</b>

### Keystone Adapter Panel

Description	Catalog No.
Features six blank openings for jacks and snap fits	<b>FSPHD6X</b>

### Cable Management Clip

Description	Catalog No.
Accepts 14" or smaller cable ties; 5-pack	<b>NSOBXCLIP</b>

\*Kits comprised of UL listed components

\*\*Not UL or cULus Listed

NEMA is a registered trademark of the National Electrical Manufacturers Association.

## Specifications



- TIA 568-C.2 Category 5e/6 component compliant
- cULus Listed



## Jack Panels

Ports	Category	Height Inches (mm)	Width Inches (mm)	Depth Inches (mm)	Type	Catalog No.
24	–	1.72" (44)	19.00" (483)	1.24" (31)	Jack Panel	<b>NSPJ24</b>
48	–	3.47" (88)	19.00" (483)	1.21" (31)	Jack Panel	<b>NSPJ48</b>

## netSELECT® Modular Snap Fit Category 6, 5e and USOC Jacks

Color	Cat. 6 Single	Cat. 6 24-Pack	Cat. 5e Single	Cat. 5e 24-Pack	USOC
Black	<b>NSJ6BK</b>	<b>NSJ6BK24</b>	<b>NSJ5EBK</b>	<b>NSJ5EBK24</b>	<b>NSJUBK</b>
Blue	<b>NSJ6B</b>	<b>NSJ6B24</b>	<b>NSJ5EB</b>	<b>NSJ5EB24</b>	<b>NSJUB</b>
Gray	<b>NSJ6GY</b>	<b>NSJ6GY24</b>	<b>NSJ5EGY</b>	<b>NSJ5EGY24</b>	<b>NSJUGY</b>
Green	<b>NSJ6GN</b>	<b>NSJ6GN24</b>	<b>NSJ5EGN</b>	<b>NSJ5EGN24</b>	<b>NSJUGN</b>
Ivory	<b>NSJ6I</b>	<b>NSJ6I24</b>	<b>NSJ5EI</b>	<b>NSJ5EI24</b>	<b>NSJUI</b>
Light Almond	<b>NSJ6LA</b>	<b>NSJ6LA24</b>	<b>NSJ5ELA</b>	<b>NSJ5ELA24</b>	<b>NSJULA</b>
Orange	<b>NSJ6OR</b>	<b>NSJ6OR24</b>	<b>NSJ5EOR</b>	<b>NSJ5EOR24</b>	<b>NSJUOR</b>
Red	<b>NSJ6R</b>	<b>NSJ6R24</b>	<b>NSJ5ER</b>	<b>NSJ5ER24</b>	<b>NSJUR</b>
White	<b>NSJ6W</b>	<b>NSJ6W24</b>	<b>NSJ5EW</b>	<b>NSJ5EW24</b>	<b>NSJUW</b>
Yellow	<b>NSJ6Y</b>	<b>NSJ6Y24</b>	<b>NSJ5EY</b>	<b>NSJ5EY24</b>	<b>NSJUY</b>



Jack Patch Panel  
NSPJ48



Cat 6 Snap Fit Jack  
NSJ6W



Snap Fit USOC Jack  
NSJUW



# NSC Patch Cords



## Specifications

- Conductor: 24AWG UTP
- Jacket: Flame-Retardant PVC-CM Rated
- Plug Body: Polycarbonate UL 94V-0



Category 6  
NSC6B01

## NSC Patch Cords, Category 6

Length (ft)	Color			
	Black	Blue	Gray	Green
1'	<b>NSC6BK01</b>	<b>NSC6B01</b>	<b>NSC6GY01</b>	<b>NSC6GN01</b>
3'	<b>NSC6BK03</b>	<b>NSC6B03</b>	<b>NSC6GY03</b>	<b>NSC6GN03</b>
5'	<b>NSC6BK05</b>	<b>NSC6B05</b>	<b>NSC6GY05</b>	<b>NSC6GN05</b>
7'	<b>NSC6BK07</b>	<b>NSC6B07</b>	<b>NSC6GY07</b>	<b>NSC6GN07</b>
10'	<b>NSC6BK10</b>	<b>NSC6B10</b>	<b>NSC6GY10</b>	<b>NSC6GN10</b>
15'	<b>NSC6BK15</b>	<b>NSC6B15</b>	<b>NSC6GY15</b>	<b>NSC6GN15</b>

Length (ft)	Color			
	Orange	Purple	Red	White
1'	<b>NSC6OR01</b>	<b>NSC6P01</b>	<b>NSC6R01</b>	<b>NSC6W01</b>
3'	<b>NSC6OR03</b>	<b>NSC6P03</b>	<b>NSC6R03</b>	<b>NSC6W03</b>
5'	<b>NSC6OR05</b>	<b>NSC6P05</b>	<b>NSC6R05</b>	<b>NSC6W05</b>
7'	<b>NSC6OR07</b>	<b>NSC6P07</b>	<b>NSC6R07</b>	<b>NSC6W07</b>
10'	<b>NSC6OR10</b>	<b>NSC6P10</b>	<b>NSC6R10</b>	<b>NSC6W10</b>
15'	<b>NSC6OR15</b>	<b>NSC6P15</b>	<b>NSC6R15</b>	<b>NSC6W15</b>



Category 5e  
NSC5EW01

## NSC Patch Cords, Category 5e

Length (ft)	Color			
	Black	Blue	Gray	Green
1'	<b>NSC5EBK01</b>	<b>NSC5EB01</b>	<b>NSC5EGY01</b>	<b>NSC5EGN01</b>
3'	<b>NSC5EBK03</b>	<b>NSC5EB03</b>	<b>NSC5EGY03</b>	<b>NSC5EGN03</b>
5'	<b>NSC5EBK05</b>	<b>NSC5EB05</b>	<b>NSC5EGY05</b>	<b>NSC5EGN05</b>
7'	<b>NSC5EBK07</b>	<b>NSC5EB07</b>	<b>NSC5EGY07</b>	<b>NSC5EGN07</b>
10'	<b>NSC5EBK10</b>	<b>NSC5EB10</b>	<b>NSC5EGY10</b>	<b>NSC5EGN10</b>
15'	<b>NSC5EBK15</b>	<b>NSC5EB15</b>	<b>NSC5EGY15</b>	<b>NSC5EGN15</b>

Length (ft)	Color			
	Orange	Purple	Red	White
1'	<b>NSC5EOR01</b>	<b>NSC5EP01</b>	<b>NSC5ER01</b>	<b>NSC5EW01</b>
3'	<b>NSC5EOR03</b>	<b>NSC5EP03</b>	<b>NSC5ER03</b>	<b>NSC5EW03</b>
5'	<b>NSC5EOR05</b>	<b>NSC5EP05</b>	<b>NSC5ER05</b>	<b>NSC5EW05</b>
7'	<b>NSC5EOR07</b>	<b>NSC5EP07</b>	<b>NSC5ER07</b>	<b>NSC5EW07</b>
10'	<b>NSC5EOR10</b>	<b>NSC5EP10</b>	<b>NSC5ER10</b>	<b>NSC5EW10</b>
15'	<b>NSC5EOR15</b>	<b>NSC5EP15</b>	<b>NSC5ER15</b>	<b>NSC5EW15</b>

Note: Additional lengths available; contact Customer Service for details

# Frames & Wallplates

## Features and Benefits

- Elongated strap for better wall box mounting
- High impact-resistant thermoplastic frame
- UL Listed 1863 - Communication Circuit Accessory and CSA Certified



## Decorator Frames

Color	1-Port	2-Port	3-Port
Black	<b>NS611BK</b>	<b>NS612BK</b>	<b>NS613BK</b>
Gray	<b>NS611GY</b>	<b>NS612GY</b>	<b>NS613GY</b>
Ivory	<b>NS611I</b>	<b>NS612I</b>	<b>NS613I</b>
Light Almond	<b>NS611LA</b>	<b>NS612LA</b>	<b>NS613LA</b>
White	<b>NS611W</b>	<b>NS612W</b>	<b>NS613W</b>
Color	4-Port	6-Port	Adapter Blank
Black	<b>NS614BK</b>	<b>NS616BK</b>	<b>NS620BK</b>
Gray	<b>NS614GY</b>	<b>NS616GY</b>	<b>NS620GY</b>
Ivory	<b>NS614I</b>	<b>NS616I</b>	<b>NS620I</b>
Light Almond	<b>NS614LA</b>	<b>NS616LA</b>	<b>NS620LA</b>
White	<b>NS614W</b>	<b>NS616W</b>	<b>NS620W</b>

Note: Use NS621 with rotary dimmers or to pull through AV or telephone cable; use NS620 to fill an extra decorator opening or create customized openings

## Multimedia Wallplates, 1-Gang

Color	1-Port	2-Port	3-Port
Black	<b>NSP11BK</b>	<b>NSP12BK</b>	<b>NSP13BK</b>
Gray	<b>NSP11GY</b>	<b>NSP12GY</b>	<b>NSP13GY</b>
Ivory	<b>NSP11I</b>	<b>NSP12I</b>	<b>NSP13I</b>
Light Almond	<b>NSP11LA</b>	<b>NSP12LA</b>	<b>NSP13LA</b>
White	<b>NSP11W</b>	<b>NSP12W</b>	<b>NSP13W</b>
Color	4-Port	6-Port	
Black	<b>NSP14BK</b>	<b>NSP16BK</b>	
Gray	<b>NSP14GY</b>	<b>NSP16GY</b>	
Ivory	<b>NSP14I</b>	<b>NSP16I</b>	
Light Almond	<b>NSP14LA</b>	<b>NSP16LA</b>	
White	<b>NSP14W</b>	<b>NSP16W</b>	

## Blank Connectors

Smooth, 10-pack

Color	Catalog No.
Black	<b>SFSBBK10</b>
Gray	<b>SFSBGY10</b>
Ivory	<b>SFSBEI10</b>
Light Almond	<b>SFSBLA10</b>
White	<b>SFSBW10</b>

## F-Connector Plug

	Catalog No.
Compression termination; RG6 cable; 25-pack	<b>FRG625</b>



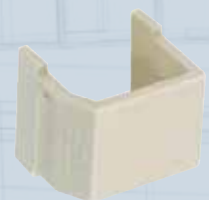
4-Port Frame  
NS614I



Adapter Blank  
NS620W



3-Port, 1-Gang, Standard  
NSP13I

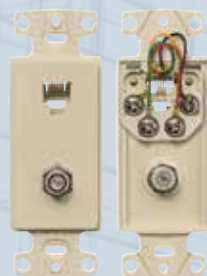


Blank Connector  
SFSBEI10

# Molded-In Voice/Data/Video Frames



RJ11, 6-Pos, 4-Cond  
NS770I



RJ11 + F-Type Coupler  
NS783I



110 Punch-Down + F-Type Coupler  
NS785I



## Features and Benefits

- High impact-resistant thermoplastic frame
- Meets FCC part 68
- UL Listed 1863 – Communication Circuit Accessory and CSA Certified

## Molded-In Voice and Data Decorator Wallplates

Jack	One RJ11 Jack	One RJ11 Jack	Duplex RJ11 Jack	2 Jack Voice Data Frame	
				RJ11 Jack	Category 5e
Position	6-Position	6-Position	6-Position	6-Position	8-Position
Conductors	4-Conductor	6-Conductor	6-Conductor	4-Conductor	8-Conductor
Terminations	Screw	Screw	Screw	Screw	110 IDC
Black	<b>NS770BK</b>	–	–	–	<b>NS784BK</b>
Brown	<b>NS770</b>	<b>NS771</b>	–	–	<b>NS784</b>
Gray	<b>NS770GY</b>	–	–	–	<b>NS784GY</b>
Ivory	<b>NS770I</b>	<b>NS771I</b>	<b>NS772I</b>	–	<b>NS784I</b>
Light Almond	<b>NS770LA</b>	<b>NS771LA</b>	<b>NS772LA</b>	–	<b>NS784LA</b>
White	<b>NS770W</b>	<b>NS771W</b>	<b>NS772W</b>	–	<b>NS784W</b>

## Molded-In Video and Voice Decorator Wallplates

Jack	F-Connector	Type	Terminations	One RJ11 Jack, 6-Position, 4-Conductor	One Cat 5e 110 Punch-Down
				Single F-Type Coupler Bulkhead	Duplex F-Type Coupler Bulkhead
Type	Female to Female	Female to Female	Female to Female	Female to Female	Female to Female
Terminations	Screw	Screw	Screw	Screw	Screw
Black	–	–	–	–	<b>NS785BK</b>
Brown	–	–	–	–	<b>NS785</b>
Gray	–	–	–	–	<b>NS785GY</b>
Light Almond	<b>NS780LA</b>	–	–	<b>NS783LA</b>	<b>NS785LA</b>
White	<b>NS780W</b>	<b>NS782W</b>	<b>NS783W</b>	<b>NS785W</b>	<b>NS785W</b>



# Molded-In Wallplates

netSELECT®

## Features and Benefits

- High impact-resistant thermoplastic plate
- Convenient screw down terminals
- Meets FCC part 68
- UL Listed 1863 – Communication Circuit Accessory and CSA Certified



## Molded-In Wallplates for Voice, 1-Gang

### Standard

Jack	One RJ11 Jack	One RJ11 Jack	Duplex RJ11 Jack
Position	6-Position	6-Position	6-Position
Conductors	4-Conductor	6-Conductor	6-Conductor
Terminations	Screw	Screw	Screw
Brown	<b>NS730</b>	<b>NS732</b>	–
Ivory	<b>NS730I</b>	<b>NS732I</b>	<b>NS744I</b>
Light Almond	<b>NS730LA</b>	<b>NS732LA</b>	–
White	<b>NS730W</b>	<b>NS732W</b>	<b>NS744W</b>

### Mid-Size

Jacks	One RJ11 Jack	Duplex RJ11 Jack
Position	6-Position	6-Position
Conductors	4-Conductor	4-Conductor
Terminations	Screw	Screw
Brown	–	–
Ivory	<b>NS735I</b>	<b>NS745I</b>
Light Almond	<b>NS735LA</b>	–
White	<b>NS735W</b>	<b>NS745W</b>



RJ11, 6-Pos, 6-Cond  
NS732I



Duplex RJ11, 6-Pos, 6-Cond  
NS744I



Duplex RJ11, 6-Pos, 4-Cond  
NS745I

# Molded-In Wallplates



RJ11 + F-Type Coupler  
NS7471



Duplex F-Type Coupler  
NS7521



110 Punch-Down +  
RJ11 + F-Type Coupler  
NS7901



RJ11 + F-Type Coupler  
NS7551



## Features and Benefits

- High impact-resistant thermoplastic plate
- Convenient screw down terminals
- Meets FCC part 68
- UL Listed 1863 – Communication Circuit Accessory and CSA Certified

## Molded-In Wallplates for Voice and CATV/Satellite, 1-Gang

### Standard

Jack	One RJ11 Jack	One RJ11 Jack	–
F-Connector Bulkhead	One F-Type Coupler Bulkhead	One F-Type Coupler Bulkhead	One F-Type Coupler Bulkhead
Position	6-Position	6-Position	–
Conductors	6-Conductor	4-Conductor	–
Type	Female to Female	Female to Female	Female to Female
Black	–	–	–
Brown	–	–	–
Gray	–	–	–
Ivory	<b>NS748I</b>	<b>NS747I</b>	<b>NS750I</b>
Light Almond	<b>NS748LA</b>	<b>NS747LA</b>	<b>NS750LA</b>
White	<b>NS748W</b>	<b>NS747W</b>	<b>NS750W</b>

Jack	–	One Cat 5e 110 Punch-Down, One RJ11 Jack
F-Connector Bulkhead	Duplex F-Type Coupler Bulkhead	One F-Type Coupler Bulkhead
Position	–	6-Position
Conductors	–	4-Conductor
Type	Female to Female	Female to Female
Black	–	<b>NS790BK</b>
Brown	–	<b>NS790</b>
Gray	–	<b>NS790GY</b>
Ivory	<b>NS752I</b>	<b>NS790I</b>
Light Almond	–	<b>NS790LA</b>
White	<b>NS752W</b>	<b>NS790W</b>

### Mid-Size

Jack	One RJ11 Jack	
F-Connector Bulkhead	One F-Type Coupler Bulkhead	One F-Type Coupler Bulkhead
Position	6-Position	–
Conductors	6-Conductor	–
Type	Female to Female	Female to Female
Ivory	<b>NS755I</b>	<b>NS751I</b>
Light Almond	<b>NS755LA</b>	<b>NS751LA</b>
White	<b>NS755W</b>	<b>NS751W</b>

# Telephone Wall Jacks

## Features and Benefits

- Available in high impact-resistant thermoplastic or stainless steel
- Meets FCC part 68
- UL Listed 1863 – Communication Circuit Accessory and CSA Certified



## Telephone Wall Jacks

### Thermoplastic

Jack	Wall Phone Jack	Wall Phone Jack
Position	6-Position	6-Position
Conductors	4-Conductor	6-Conductor
Terminations	Screw	Screw
Ivory	<b>NS722I</b>	<b>NS725I</b>
Light Almond	-	-
White	<b>NS722W</b>	-

### Stainless Steel

Wall Phone Jack	Wall Phone Jack
Quick Connect	Wall Phone Jack
6-Position	6-Position
4-Conductor	4-Conductor
Punch-Down (Tool Included)	Screw
<b>NS723SS</b>	<b>NS726SS</b>

## Features and Benefits

- High impact-resistant thermoplastic
- Mounts using screws or double sided tape (both included)
- Meets FCC part 68
- UL Listed 1863 – Communication Circuit Accessory and CSA Certified

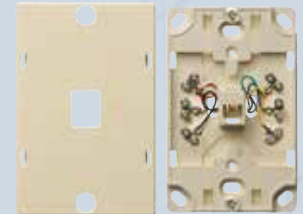


## Telephone Surface Mount Boxes

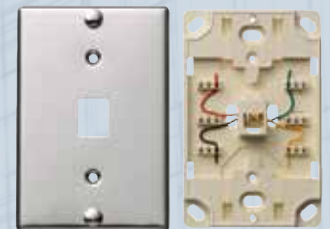
Description	Telephone Surface Mount Jack	Multimedia 1-Port Surface Mount Box, Jack Not Included*	Multimedia 2-Port Surface Mount Box, Jack Not Included*
Position	6-Position	-	-
Conductors	4-Conductor	-	-
Terminations	Screw	-	-
Black	-	<b>HSB1BK</b>	<b>HSB2BK</b>
Gray	-	<b>HSB1GY</b>	<b>HSB2GY</b>
Ivory	<b>NS760I</b>	<b>HSB1EI</b>	<b>HSB2EI</b>
Office White	-	<b>HSB1OW</b>	<b>HSB2OW</b>
White	<b>NS760W</b>	<b>HSB1W</b>	<b>HSB2W</b>

\*cULus Listed 1863 - Communication Circuit Accessory; use multimedia jacks and AV connectors

netSELECT®



Screw Termination  
NS725I



Stainless Steel Quick Connect  
NS723SS



Surface Mount Phone Jack  
NS760I



Multimedia 2-Port  
HSB2EI

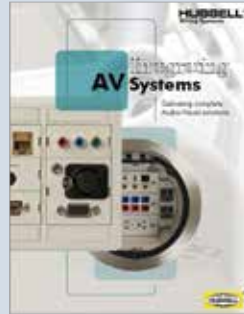


## Hubbell's Total Residential Infrastructure Solution

Select the best when it comes to electrical devices and voice/data products. Hubbell offers the superior performance, innovation and style that your home deserves.



Residential Wiring Device Product Guide



Integrating AV Systems



Smart Design for Your Home

[hubbell.com/  
hubbellpremiwiring/en](http://hubbell.com/hubbellpremiwiring/en)



### YOUR COMPLETE ONLINE RESOURCE

Everything you need—  
*anytime, anywhere.*  
Quickly access product  
information, technical data,  
the online catalog,  
supporting literature,  
instructional videos,  
interactive eTours  
and more!



Smart Design for Your Home  
Product Selection Guide



HDTV Connectivity  
Installation Guide



Flat Panel  
Connection Enclosure



Full Line  
Catalog

**HUBBELL**<sup>®</sup>  
Premise Wiring

[hubbell.com/hubbellpremiwiring/en](http://hubbell.com/hubbellpremiwiring/en)

