

HANGING ALUMINUM ADSS SUSPENSION CLAMP

HEAVY DUTY, VERSATILE, AND RELIABLE SOLUTION

The Hubbell hanging aluminum ADSS suspension clamp is a heavy duty, versatile, and reliable solution for securely suspending ADSS (All Dielectric Self-Support) aerial fiber optic cable. The versatility of the clamp allows the installer to hang the clamp with either J-hook or eye-bolt. Accepting a full range of ADSS cable sizes from 0.426" to 1.050", the Hubbell hanging aluminum ADSS suspension clamp is sure to meet your tangent needs.

MATERIAL

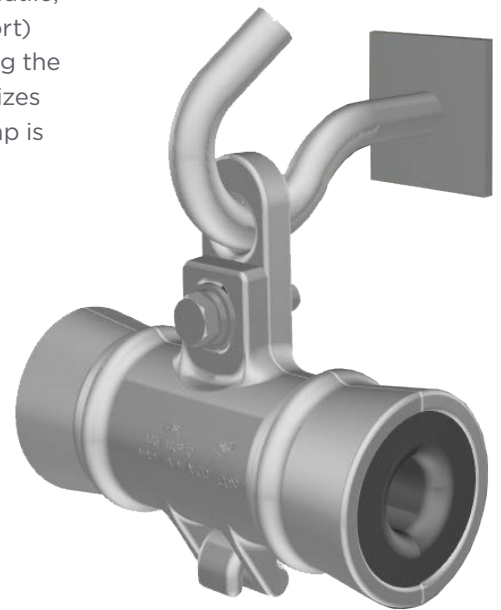
- Body: Aluminum
- Insert: Polyurethane
- Hardware: Galvanized steel, Neoprene

BENEFITS

- Full range of ADSS cable coverage from 0.426" to 1.050" diameter
- Installation with J-hook or eye-bolt

SPECIFICATIONS

- Tangent suspension for spans up to 600 ft.
- 30° max turning angle
- Ultimate vertical load: 4000 lbs.
- Meets IEEE 1591.2



PART NUMBER		CABLE DIAMETER RANGE	
COMPLETE ASSEMBLY	INSERTS ONLY (PAIR)	MIN (MM.)	MAX (MM.)
HUBSUSH199	HUB239	0.426 (10.8)	0.475 (12.0)
HUBSUSH200	HUB125	0.476 (12.1)	0.525 (13.3)
HUBSUSH201	HUB126	0.526 (13.4)	0.575 (14.6)
HUBSUSH202	HUB127	0.576 (14.7)	0.625 (15.9)
HUBSUSH203	HUB128	0.626 (16.0)	0.675 (17.1)
HUBSUSH204	HUB129	0.676 (17.2)	0.750 (19.1)
HUBSUSH205	HUB130	0.751 (19.2)	0.825 (21.0)
HUBSUSH206*	HUB131	0.826 (21.1)	0.900 (22.9)
HUBSUSH207*	HUB132	0.901 (23.0)	0.975 (24.8)
HUBSUSH208*	HUB133	0.976 (24.9)	1.050 (26.7)

For housing only, order HUBSUSH

For J-hook, nut and washer installation hardware sold separately, order PSC2080237.

For eye-bolt or eye-nut installation applications, use a twisted anchor shackle or two anchor shackles.

*Consult factory for information on standards qualification.

ASSEMBLY

1. 3/8" bolt and washers
2. Clamp top casting
3. Hardware retaining washer
4. Interchangeable inserts
5. Hanging clamp base casting

