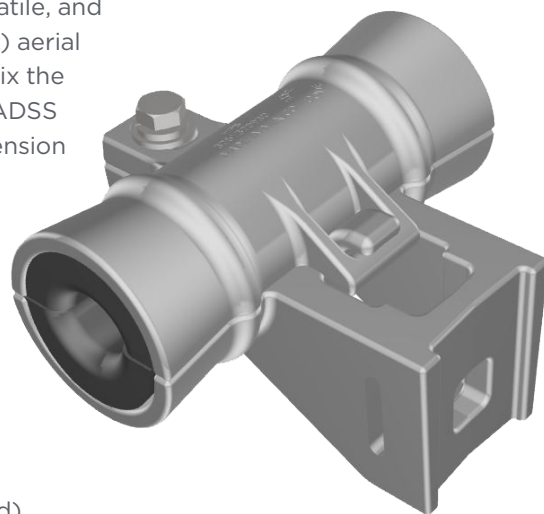


# FIXED ALUMINUM ADSS SUSPENSION CLAMP

## HEAVY DUTY, VERSATILE, AND RELIABLE SOLUTION

The Hubbell fixed aluminum ADSS suspension clamp is a heavy duty, versatile, and reliable solution for securely suspending ADSS (All Dielectric Self-Support) aerial fiber optic cable. The versatility of the clamp allows the installer to either fix the clamp to the pole using a through bolt or band. Accepting a full range of ADSS cable sizes from 0.426" to 1.050", the Hubbell fixed aluminum ADSS suspension clamp is sure to meet your tangent needs.



### MATERIAL

- Body: Aluminum
- Insert: Polyurethane
- Hardware: Galvanized steel, Neoprene

### BENEFITS

- Full range of ADSS cable coverage from 0.426" to 1.050" diameter
- Installation with through bolt or banding
- Versatile design can be used as a stringing block (with inserts removed)

### SPECIFICATIONS

- Tangent suspension for spans up to 600 ft.
- 30° max turning angle
- Ultimate vertical load: 4000 lbs.
- Meets IEEE 1591.2

PART NUMBER		CABLE DIAMETER RANGE	
COMPLETE ASSEMBLY	INSERTS ONLY (PAIR)	MIN (MM.)	MAX (MM.)
HUBSUSF199	HUB239	0.426 (10.8)	0.475 (12.0)
HUBSUSF200	HUB125	0.476 (12.1)	0.525 (13.3)
HUBSUSF201	HUB126	0.526 (13.4)	0.575 (14.6)
HUBSUSF202	HUB127	0.576 (14.7)	0.625 (15.9)
HUBSUSF203	HUB128	0.626 (16.0)	0.675 (17.1)
HUBSUSF204	HUB129	0.676 (17.2)	0.750 (19.1)
HUBSUSF205	HUB130	0.751 (19.2)	0.825 (21.0)
HUBSUSF206*	HUB131	0.826 (21.1)	0.900 (22.9)
HUBSUSF207*	HUB132	0.901 (23.0)	0.975 (24.8)
HUBSUSF208*	HUB133	0.976 (24.9)	1.050 (26.7)

For housing only, order HUBSUSF

For 14" x 5/8" bolt and nut installation hardware sold separately, order 8814.

For stainless steel banding kit hardware sold separately, order CBAB5840 (includes: 1-1/4" x 40" stainless steel band and buckle w/ carriage bolt).

\*Consult factory for information on standards qualification.

### ASSEMBLY

1. 3/8" bolt and washer
2. Clamp top casting
3. Hardware retaining washer
4. Interchangeable inserts
5. Fixed clamp base casting

