

HOT BOX[®] FIBERGLASS ENCLOSURES

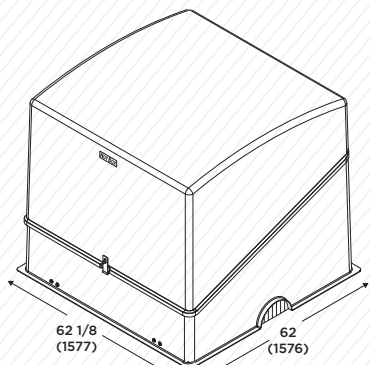
LEGACY QUALITY & DEPENDABILITY

The Hot Box Fiberglass Flip-Top product line offers the broadest range of sizes in our hand crafted, yacht quality finish for an aesthetically pleasing look while meeting your backflow protection needs.

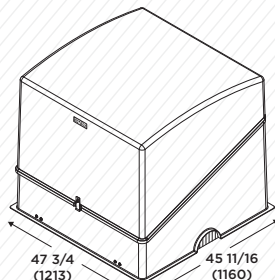
FEATURES AND BENEFITS

- Reinforced fiberglass with a smooth, UV-resistant gelcoat providing a corrosion resistant finish.
- Sturdy and rugged molded fiberglass construction provides years of protection from damage and the elements.
- Easy Lift Flip-Top design with gas assist hinges provides fast and easy single person backflow access.
- Weatherproof and vandal resistance lid closure design.
- Bonded foam insulation aiding in freeze protection for your backflow.
- Unheated or heated options available featuring preferred wall-mounted heater positioning.
- Security locking mechanism protects backflow from vandals and reduces liability issues.
- Size offering supports straight and N-pattern backflows.
- Standard beige, federal brown and green colors available.
- Size offering accommodates up to 10" backflows.
- ASSE 1060 Certified.

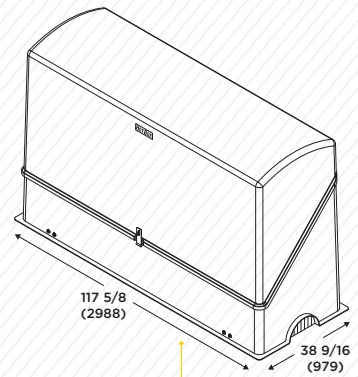




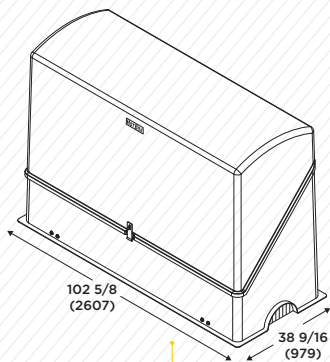
HF060060060



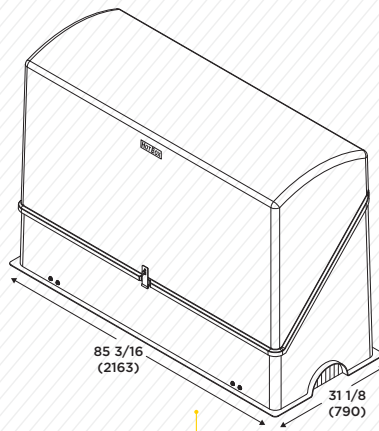
HF044046050



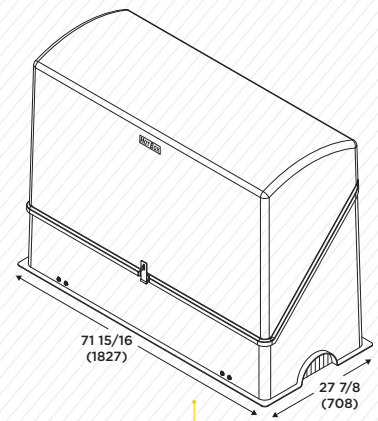
HF036115075



HF036100075



HF029083062



HF026070055

Catalog Part Number	Model Number	Pipe Size	Inside Width (in)	Inside Length (in)	Inside Height (in)	Heat	Weight #
HF011019022	HB.75	3/4" - 1"	10	18	23	30W Heat Trace Tape	28
HF013027023	HB1		13	26	23	60W Heat Trace Tape	32
HF021033025	HB1.5	1" - 2"	21	33	25	60W Heat Trace Tape	55
HF013039028	HB2		13	38	29	90W Heat Trace Tape	54
HF026070045	HB3N	3" - 4"	27	70	46	(1) 1000W	241
HF026070055	HB3E		26	70	55	(1) 1500W	216
HL035045035	HB3000	3" - 4"	35	44	35	(1) 1000W	170
HL044053044	HB4000		44	53	45	(1) 1000W	251
HF29083062	HBF4E	4" - 6"	29	83	62	(1) 1900W	277
HL052061052	HB5000	4" - 6"	52	61	51	(1) 1500W	320
HF044046050	HBF4500		44	46	50	(1) 1500W	192
HF036100075	HBF6E	6" - 8"	36	100	75	(2) 1500W	370
HF060060060	HBF6000	6" - 8"	60	60	60	(1) 1900W	248
HF036115075	HBF8E	8" - 10"	36	115	75	(2) 1500W	441

*Replaced the "H" with an "L" for unheated units for both part and model number.



For product inquiries,
please contact 1-800-346-3061