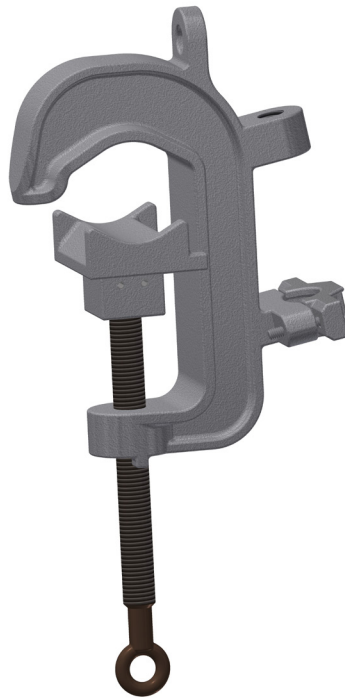


# 7H 2.5" GROUNDING C-CLAMP

## CLAMPS OR ASSEMBLED GROUND SETS WITH 7H CABLE AND FERRULES

### FEATURES AND BENEFITS

- C-Clamp with aluminum body and smooth jaws for 0.625" to 2.5" Conductor/Bus Bar
- 350 MCM cable with yellow thermoplastic elastomer (TPE) jacket
- Unshrouded Threaded Copper or Tin-Plated Ferrule - 3/4-10 UNC
- Bronze Eye Screw - 3/4-6 ACME
- Clamp equipped with Lift-Assist Ring
- Tested per ASTM F855-17 to Grade 7H (68kA; 183kA 1st cycle peak; X/R=30)
- Available as factory-assembled sets (recommended) or individual components



CATALOG NUMBER	DESCRIPTION	WEIGHT
PSC6003630	7H 2.5" Grounding C-Clamp	6.1 lbs (2.8 kg)
PSC6003603	Grounding Ferrule 350 MCM Unshrouded Copper	1.1 lbs (0.5 kg)
PSC6003604	Grounding Ferrule 350 MCM Unshrouded Tin-Plated	1.1 lbs (0.5 kg)
PSS18067	350 MCM Yellow Grounding Cable	0.79 lbs/ft (1.18 kg/m)

Contact your local HPS representative for custom length grounding sets



Hubbell Power Systems, Inc. | [hubbellpowersystems.com](http://hubbellpowersystems.com)

©Copyright 2018 Hubbell Incorporated. Because Hubbell has a policy of continuous product improvement, we reserve the right to change design and specifications without notice.

