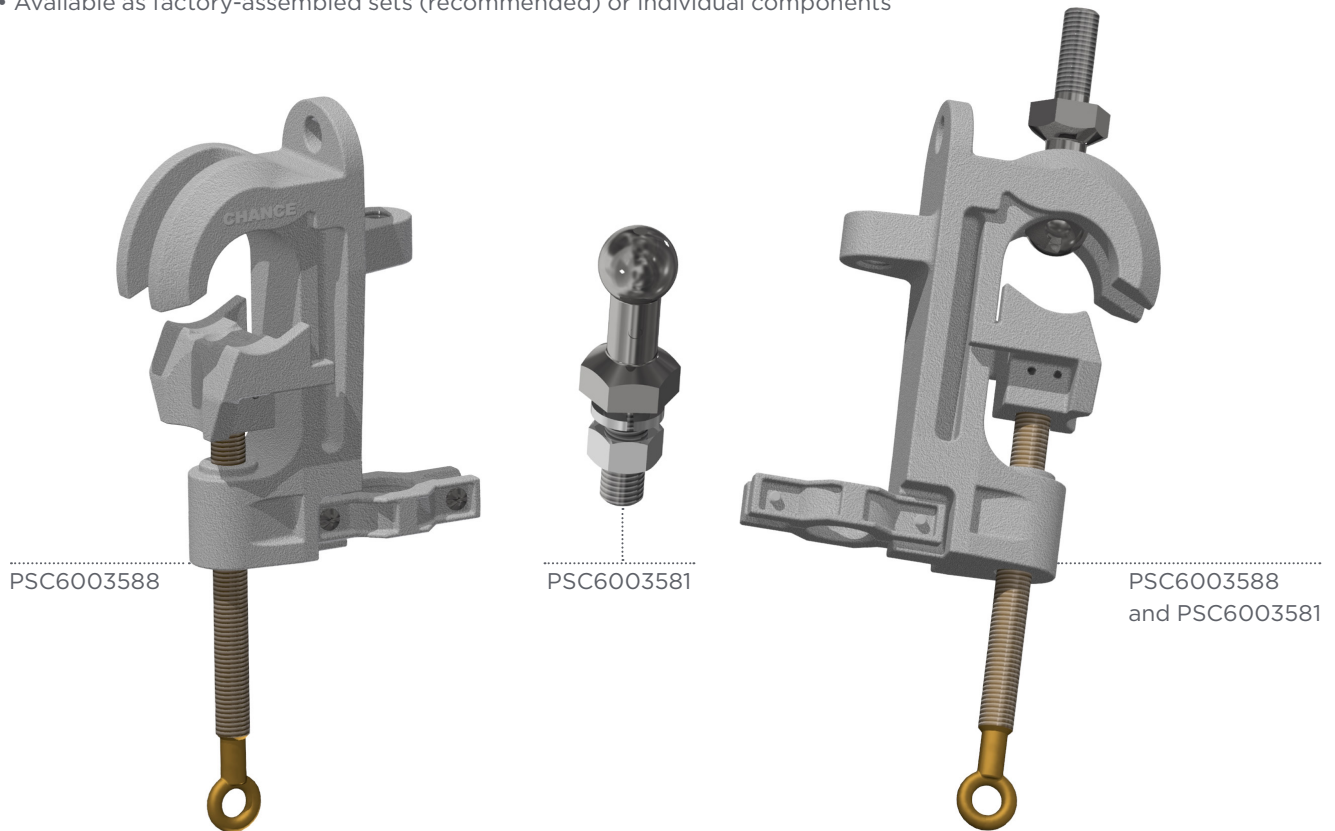


7H UNIVERSAL GROUND CLAMP

CONNECT TO CONDUCTOR, BUS OR BALL STUD

FEATURES AND BENEFITS

- Tested per ASTM F855-17 to Grade 7H (68kA; 183kA 1st cycle peak; X/R=30)
- Universal Clamp with aluminum body
- For up to 2" dia. conductor or bus, or 35mm Ball Stud
- Available as factory-assembled sets (recommended) or individual components



PSC6003588

PSC6003581

PSC6003588
and PSC6003581

CATALOG NO.	DESCRIPTION	WEIGHT
PSC6003588	7H Universal Clamp	5.6 lb (2.6 kg)
PSC6003581	35mm Ball Stud 7H	1.8 lbs (0.8 kg)
PSC6003603	Grounding Ferrule 350 MCM Unshrouded Copper	1.1 lbs (0.5 kg)
PSC6003604	Grounding Ferrule 350 MCM Unshrouded Tin-Plated	1.1 lbs (0.5 kg)
PSS18067	350 MCM Yellow Grounding Cable	0.8 lbs/ft (1.2 kg/m)

Contact your local HPS representative for custom length grounding sets

Hubbell has a policy of continuous product improvement. Please visit hubbellpowersystems.com to confirm current design specifications.

