

### Features

- **Tone Remote Deskset with up to 4 Line Control**
- **16 - Frequency / Function Control**
- **Programmable Quick Pages, Aliases, and Group Paging**
- **2-Line Adjustable LCD Display**
- **Multiple Parallel Deskset Support**
- **Programmable Voice Delay**
- **Full Duplex Capability 2 or 4-Wire**
- **Parallel Transmit Audio**
- **Line Receive and Transmit Compression**
- **Adjustable Receive Input Sensitivity and Transmit Output Level**
- **Monitor and Intercom**
- **PC Programmable**
- **External Connection for Accessory Microphone**



### Applications

- Police, Fire, Ambulance
- Utilities, Taxis, Airlines
- Forestry, Parks, Recreation
- Industries, Municipalities, Construction
- Security and Public Safety

The **IPE2500A-MLS Multi-Line Select Deskset** provides "Mini-Console" tone control of up to 4 different radio systems in addition to having all the features of the standard IPE2500A Tone Remote Deskset. Used in conjunction with the GAI-Tronics tone remote adapter (ITA2000A), the Multi-Line Select Deskset allows for simultaneous transmissions on any combination of 2 to 4 lines. Now a dispatcher can communicate over 4 separate radio systems using a single GAI-Tronics deskset, making it no longer necessary to have a dedicated deskset for each radio. The Multi-Line Select feature also provides a cost-effective solution to expensive console systems that offer more features and functionality than some customers desire.

Each line operates in 2 or 4-wire mode independently of the other lines. Like the IPE2500A, the Multi-Line Select Deskset provides 16-frequency control per line, 2-line adjustable display, alias naming of functions, intercom, programmable voice delay, and multiple deskset support. Muted unselect audio, all mute, and separate select and unselect volume adjustments allow the user to control audio on the various lines. Virtually every aspect of the IPE2500A-MLS can be programmed using GAI-Tronics® CARD Suite Programming Software (included in XAC4000B Programming Bundle Flash Drive).

Additionally, an optional External Speaker Kit, Model XAC0120A, permits splitting the Select and Unselect audio between separate dedicated speakers.

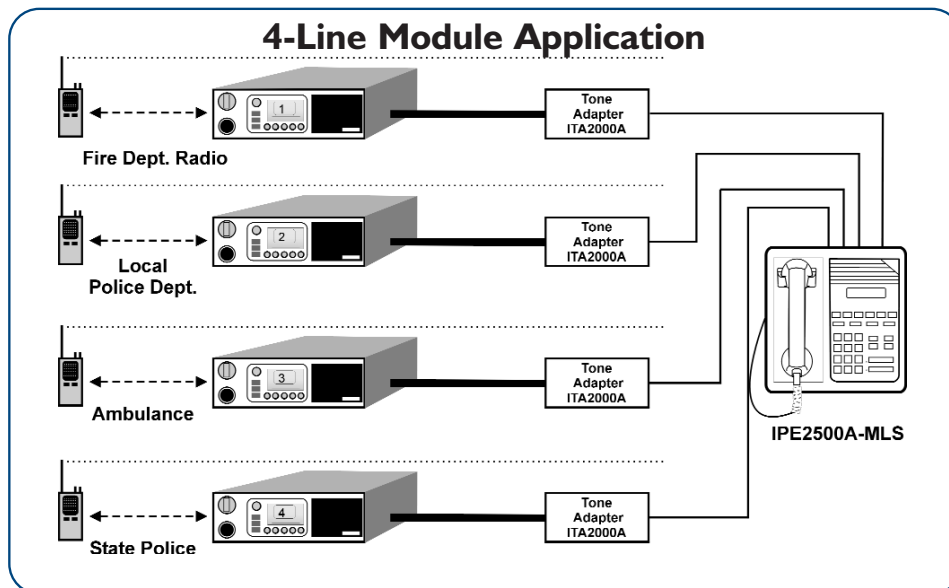
**Note:** Features included in the single line IPE2500A that are not available in the multi-line IPE2500A-MLS are parallel status updating and DTMF decode.

## Specifications for IPE2500A-MLS

Physical Dimensions .....7.6 W x 8.9 L x 4.7 H inches  
 Color .....Black  
 Weight .....2.4 lbs. minimum  
 Temperature .....0° to +70°C  
 Humidity .....95% at 50°C non-condensing  
 Power Input .....10.5-16 V dc 400 mA maximum  
 Frequency Response .....+3 dB from 300-3000 Hz  
 (except notch filter)  
 Hum and Noise .....Less than -45 dB below rated outputs  
 Audio Output to Speakers .....1 watt minimum with level in  
 compression range  
 Audio Distortion .....Less than 3% THD  
 Maximum Number of Remotes .....Per System Limitations  
 Microphone Connections .....8-pin modular

Control Functions (Tones Standard as Shipped):  
 Guard Tone .....2175 Hz, programmable  
 FI-FI6 .....Each can be programmed from 550-2050 Hz  
 in 100 Hz increments  
 Monitor .....2050 Hz, programmable 550-2050 Hz  
 in 100 Hz increments  
 Safety ..... Class III SELV-powered  
 equipment. Powered by UL-listed (E104603) and  
 CSA certified (LR67888) ac adapter  
 Emissions ..... USA: FCC Part 15, Sub. B-Verification  
 Canada: ICES-003  
 Line Interface ..... USA: FCC Part 68 Exempt (Category II Tariff  
 #260 service for private/leased line applications) Canada: Designed  
 to meet IC CS03-8

## System Diagram



## Accessories & Options

ITA2000A	Tone Remote Adapter	XAAB002A	Audio Accessory Box
XAC4000B	Programming Bundle Flash Drive	XDM004A	Desk Microphone
XAC0004A	Programming Cable	XFS002A	Dual PTT & Monitor Footswitch
40419-008	Replacement AC Wall Transformer	XDM005A	Desktop Gooseneck Microphone
XAC0120A	External Speaker Kit (unselect)	XHS003C / XCC004B / 25815-003: Headset, Adapter Cable, and line cord	

**Note: Models XHS003C, XFS002A, and XDM005A Require XAAB002A Audio Accessory Box.**

Call Customer Service (1-800-492-1212) For Application Assistance and Pricing. Specifications Subject To Change Without Notice.



Toll Free: 1 (800) 492-1212 Tel: (610) 777-1374  
 Fax: (610) 796-5954 www.gai-tronics.com

