



Features

- Programmable 3/4-Frequency Control
- Programmable One or Two Line (Radio Control)
- Monitor
- Intercom
- Multiple Parallel Deskset Support
- Parallel Transmit Audio
- Selectable Off-Hook Monitor
- Selectable Off-Hook Speaker
- Programmable Maintained Off-Hook Speaker
- Front-Panel Audio Mute/Unmute
- Adjustable Receive Input Sensitivity and Transmit Output Level
- Line Receive and Transmit Compression
- Built-In Microphone and Speaker



Applications

- Police, Fire, Ambulance
- Utilities, Taxis, Airlines
- Forestry, Parks and Recreation
- Industries, Municipalities, Construction
- Security and Public Safety

The ITR1000-001 Tone Remote Deskset is capable of controlling a single radio with four frequencies or two (2) radios with three (3) frequencies each, via a leased or private telephone line using standard EIA function tones. A Tone Remote Adapter, GAI-Tronics model ITA2000A or equivalent, is required to interface the deskset to the radio (if the radio is not tone-ready). Selecting between one or two radio control is a simple dipswitch setting inside the unit. If two radio control is selected, the F4/LS pushbutton is used to select between the two radios. **Note that the deskset will monitor received audio only from the selected radio.**

The increased output level permits the audio signal to overcome older system cabling and line loss. In addition, various audio adjustments are available to allow the ITR1000-001 to be interfaced to most tone systems. Control point distances are limited only by telephone line capabilities. The number of desksets used to control a single radio (parallel connection) is limited only by the system design (wire distances, gauge, etc.), relating to line loss.

The ITR1000-001 is equipped with the basic features of transmit, receive, and monitor. Programmable 3 or 4 frequency function control allows any one of the 16 EIA standard tones to be used for each frequency/function key. The intercom provides deskset users the ability to communicate with each other without tying up valuable radio channels. Parallel transmit audio allows the user to hear audio transmitted by another deskset. The adjustable receive input sensitivity and transmit output level (-15dB to +15dB) offers flexibility when radio output levels, line losses, and noise factors vary. Line receive and transmit audio compression automatically normalizes varying input and output levels caused by system factors.

Each ITR1000-001 includes a power supply, handset, and integral microphone and speaker. Front mounted controls and adjustments allow for each of installation and operation. The integral speaker can be programmed, via dipswitch, for continuous off-hook operation.

Tone Remote Deskset

ITR1000-001

Specifications for ITR1000-001

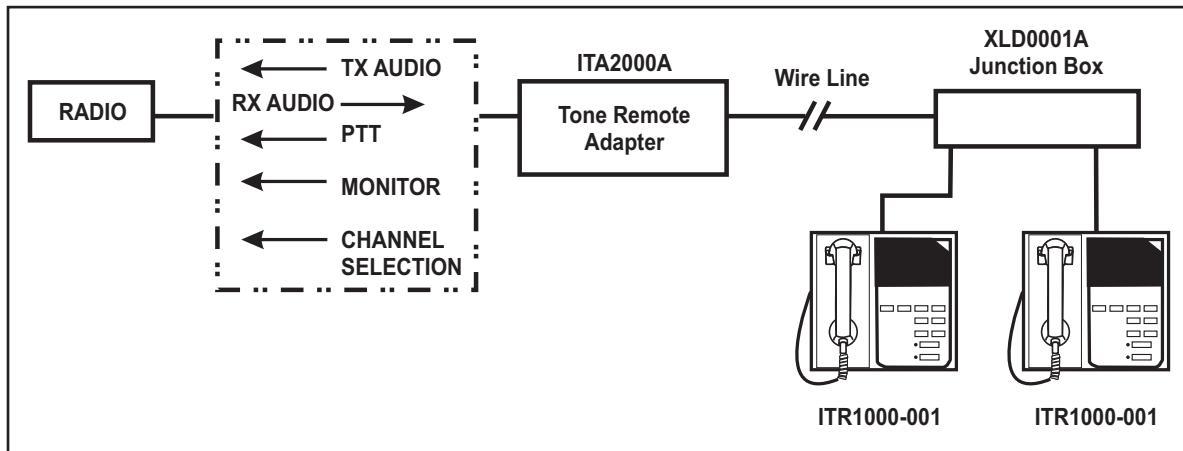
Color Black
Size 7.6" W X x 8.9" L x 4.7" H
Weight 2.4 lbs.
Temperature -35° to +70°C
Humidity 95% at 50°C (non-condensing)
Line Impedance 600 ohms nominal
Power Input 10.5 - 16 VDC; 0.5 A maximum from
Class 2 listed AC adapter
Nominal Input Level -10 dBm
Range -25 to 0 dBm into 560 ohms
Nominal Output Gain -10 dBm
Range -15 to +15 dBm into 560 ohms
Frequency Response ±3 dB at 300-3000 Hz
(except notch filter)
Frequency Stability Better than ±1.0%
Hum and Noise Less than -45 dB below rated outputs
Audio Output to Speakers 1 watt min. with level
in compression range
Audio Distortion Less than 3% THD

Max. Number of Remotes Per System Limitations
Safety Class III SELV-powered
equipment. Powered by UL-listed (E104603) and
CSA certified (LR67888) ac adapter
Emissions USA: FCC Part 15, Sub. B-Verification
Canada: ICES-003
Line Interface USA: FCC Part 68 Exempt (Category II
Tariff #260 service for private/leased line applications) Canada:
Designed to meet IC CS03-8

Control Functions

Guard Tone 2175 Hz
F1 thru F4 Tone Each function can be programmed
from 550-1950 Hz (110 Hz increments)
via the deskset pushbuttons.
Monitor 2050 Hz
(Monitor control function can not be programmed)

System Diagram



Accessories and Options

ITA2000A Tone Remote Adapter
40419-014 Replacement AC Wall Transformer
XLD0001A Junction Box
XAAB002A Audio Accessory Box

XHS003C / XCC004B Headset and Adapter Cable
XDM004A Desk Microphone
XFS002A Dual PTT & Monitor Footswitch
XDM005A Desktop Gooseneck Microphone

Note: Models XHS003C, XDM004A, XFS002A, and XDM005A Require XAAB002A Audio Accessory Box.

Call Customer Service (1-800-492-1212) For Application Assistance and Pricing. Specifications Subject To Change Without Notice.

GAI-TRONICS® 

Toll Free: 1 (800) 492-1212 Tel: (610) 777-1374
Fax: (610) 796-5954 www.gai-tronics.com

Quality Management System Certified by DNV-GL - ISO 9001:2008. The policy of GAI-Tronics is one of continuous improvement; therefore the company reserves the right to change specifications without notice.



Pub. 011103 Rev2. 1/2018