

Features

- **Two auto-dial numbers allow quick communication at the touch of a button.**
- **“Flash” button allows CLEAN PHONE® to use features of a PBX system.**
- **Completely smooth front panel is sealed with an overlay that keeps the phone particulate-free and makes cleaning quick and easy.**
- **Auto answer option allows clean room personnel to answer calls without leaving their stations.**
- **Oversized buttons allow easy operation for gloved hands. Button function is clearly indicated.**
- **Password Protected Programming**
- **Two (2) programmable control outputs**
- **SMART Technology allows central health/activity monitoring via TMA software**
- **UL Listed**



Model 295-001x

The Clean Phone® Telephone's hands-free operation is ideal for clean room, clinical, or sanitary environments. Available in a flush-mount (295-001F) or wall-mount (295-001W) design, the Clean Phone can function in both standard or SMART operation mode. SMART (Self Monitoring And Reporting Technology) operation allows the telephone to be monitored for health and usage via our TMA software (purchased separately).

The visual graphics of the Clean Phone are printed on the reverse side of the overlay to prevent particulate shedding and insure longevity. Operation is simple, allowing placement of calls via two (2) programmable autodial buttons or accessing the full-function keypad for general purpose calling. A flash button is provided to access telephone system features. Each telephone is provided with a 5V dc power supply required for operation (120/240 Vac source required).

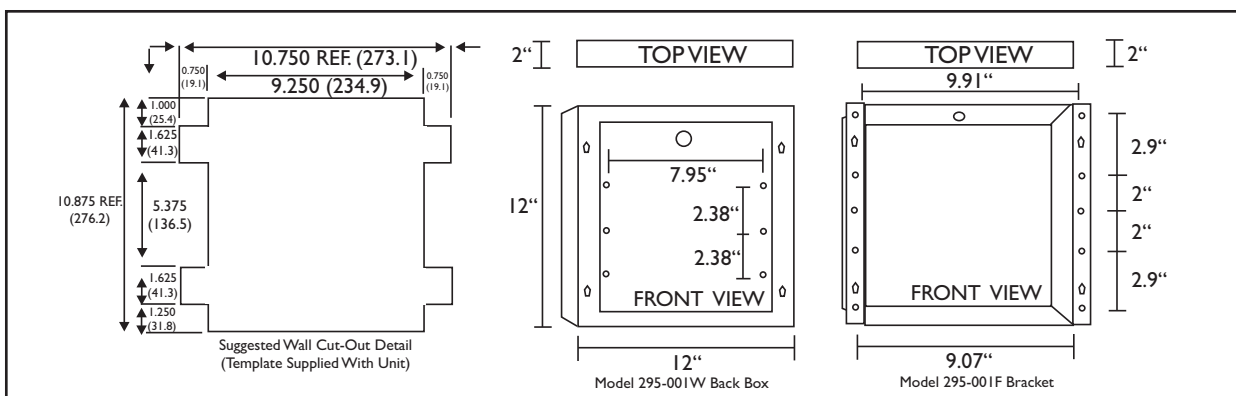
The Clean Phone's graphic overlay is designed to withstand wipe-down exposure to many chemicals typically used in sterile environments. Please follow the following link to our website for a complete listing of compatible (and non-compatible) solutions, solvents, and chemicals.

https://hubbellcdn.com/literature/SKU-CleanPhone_ChemicalList.pdf



Scan QR Code
for Chemical List.

Mounting Details



Analog Clean Phone®

Model 295-001x



Specifications

TMA compatibility profile type GTC SMART Hands-free
Auto-dial digit limit 24 digits

ELECTRICAL

Audio Output 1 kHz tone – 87 ± 3dB SPL @ 1 meter with 40 mA loop current
 Battery voltage (tip and ring) 24 V dc or 48 V dc
 Telephone line requirements Loop start, central office (CO), or Analog station port (PBX, PABX, or KSU)
 Minimum loop current 24 mA (35 mA recommended)
 Auxiliary outputs (Isolate solid state switch) 48 V dc @ 125 mA, 28 V_{RMS} ac @ 80 mA_{RMS}
 Signaling DTMF 100 ms tone
 Memory Non-volatile EEPROM

MECHANICAL

Temperature range:
 Operating -4° F to +131° F (-20° C to +55° C)
 Storage -40° F to 158° F (-40° C to +70° C)
 Relative Humidity Up to 95%, non-condensing
 PCBA (printed circuit board assembly) Conformal coated

Model 295-001F Clean Phone®

Construction Front panel: 8 mil polyester over 16-gauge stainless steel
 Mounting Bracket: 16-gauge stainless steel
 Dimensions Front panel: 12.00 W x 12.00 H inches; (304.8 x 304.8 mm)
 Mounting Bracket: 10.75 W x 10.88 H x 1.75 D inches (273.1 X 276.2 x 44.3 mm)

Model 295-001W Clean Phone®

Construction Front panel: 8 mil polyester over 16-gauge stainless steel
 Mounting Bracket: 16-gauge stainless steel
 Dimensions Front panel: 12.00 W x 12.00 H inches; (304.8 x 304.8 mm)
 Back Enclosure: 12.00W x 12.00 H x 2.06 D inches (304.8 X 304.8 x 52.3 mm)

Shipping Weight & Dimensions 12.15 lbs., 17.00 x 17.00 x 11.00 inches

Approval Standards

Safety of Information Technology Equipment UL/CSA 60950

47 CFR Part 68

Certification Number US: ADGTE05BGTC2010
 Ringer Equivalence Number5B
 Network connection (USOC) RJ11

IC Information (Canada)

IC Certification Number 822B-GTC2010
 Ringer Equivalence5B
 Connection Method CA11A

Ordering Information

Model No.	DESCRIPTION:
295-001F	Flush-Mount Telephone
295-001W	Wall-Mount Telephone

Accessories & Options

Model No.	DESCRIPTION:
235-001	Maintenance Cover
40404-088	Replacement Plug-in Power Supply Kit



USA Toll Free: 1 (800) 492-1212 Tel: (610) 777-1374 Fax: (610) 796-5954 www.gai-tronics.com
 UK Tel: +44 (0)1283 500500 Fax: +44 (0)1283 500400 www.gai-tronics.co.uk
 Italy Tel: +39 02 48601460 Fax: +39 02 93663110 www.gai-tronics.com
 Asia Tel: +(65) 6282 2242 (Press 4 for GAI-TRONICS) www.gai-tronics.com
 Australia Tel: 011-61-28-851-5000 Fax: 011-61-29-899-2490 www.austdac.com.au



Quality Management System Certified by DNV - ISO 9001:2008. The policy of GAI-Tronics is one of continuous improvement; therefore the company reserves the right to change specifications without notice.

