

EX BEACONS

Xenon, 5 Joule

Accessories



These certified beacons have been designed for use in harsh environmental conditions.

The flameproof beacons are suitable for Zone 1, 2, 21 & 22 applications and are ideal for general signalling duties whilst their robust construction makes installation in the harshest of environments possible. Additional features include automatic synchronization on multi-beacon systems and stainless steel guard and mounting bracket as standard.

- Xenon tubes mechanically secured against shock & vibration
- Large termination area
- Ratchet adjustable stainless steel 'U' bracket
- IP66 and IP67
- Marine grade copper free LM6 Aluminium material
- Glass lens & stainless steel guard
- Lens colours-Amber, Blue, Clear, Green, Red & Yellow
- RAL3000 Red colour

The beacons range features enclosure from corrosion proof, marine grade copper free LM6 aluminium which is phosphated and powder coated. All models have two M20 cable entries, large termination areas and an ingress protection of IP66/67.

Ex Beacons - Technical Specifications

Material: Marine grade copper free LM6 Aluminium and Phosphated & powder coated finish-anti-corrosion
Tube: Xenon
Lens: Glass

Peak candela: 34,812cd

Effective Peak Intensity (lens colour dependant): 105cd

Weight: AC Models: 2.75kg

DC Models: 2.45kg

Operating Temperature: -50° C to +70° C

Ingress Protection: IP66/IP67

Voltages: DC: 48vdc

AC: 230vac

Terminals: 0.5 to 4.0mm² cables

Entries: Dual M20 ISO

Flash Rate: 1HZ (60fpm)

Current Consumption:

48V DC 180mA

230V AC 55mA

Certification:

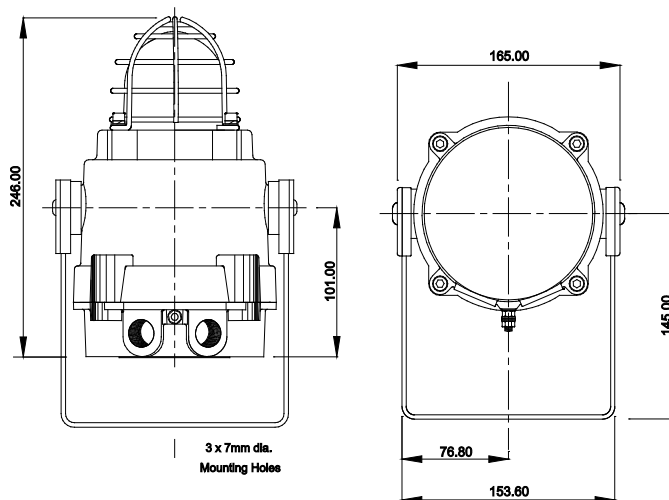
ATEX certificate: KEMA 00ATEX2006

IECEX certificate: IECEX KEM 10.0002

Inmetro certificate: 10-IEEx-0010

GOST-R certificate: POCC GB.ГБ 05.B03365

Dimensions



Ordering Requirements

PART NUMBERS- Suitable for use with GAI-Tronics Telephones only

Part Number	Voltage	Lens Colour
986-07-1002-001	230V ac	Amber
986-07-1002-002	230V ac	Blue
986-07-1002-003	230V ac	Clear
986-07-1002-004	230V ac	Green
986-07-1002-005	230V ac	Red
986-07-1002-006	230V ac	Yellow
986-07-1002-011	48V dc	Amber
986-07-1002-012	48V dc	Blue
986-07-1002-013	48V dc	Clear
986-07-1002-014	48V dc	Green
986-07-1002-015	48V dc	Red
986-07-1002-016	48V dc	Yellow

LENS COLOURS: Amber, Blue, Clear, Green, Red and Yellow

www.gai-tronics.co.uk



UK: Tel: +44 (0) 1283 500500
 USA: Tel: +1 (610) 777-1374
 Italy: Tel: +39 02 4860 1460
 Malaysia: Tel: +60-3-8945-4035
 Australia: Tel: +61-28-851-5000

www.gai-tronics.co.uk
www.gai-tronics.com
www.gai-tronics.it
www.gai-tronics.com
www.austdac.com.au



Ex Beacons - Technical Specifications

986-07-1002-031	115Vac	Amber
986-07-1002-032	115Vac	Blue
986-07-1002-033	115Vac	Clear
986-07-1002-034	115Vac	Green
986-07-1002-035	115Vac	Red
986-07-1002-036	115Vac	Yellow

986-07-1002-021	24Vdc	Amber
986-07-1002-022	24Vdc	Blue
986-07-1002-023	24Vdc	Clear
986-07-1002-024	24Vdc	Green
986-07-1002-025	24Vdc	Red
986-07-1002-026	24Vdc	Yellow

www.gai-tronics.co.uk



UK: Tel: +44 (0) 1283 500500
USA: Tel: +1 (610) 777-1374
Italy: Tel: +39 02 4860 1460
Malaysia: Tel: +60-3-8945-4035
Australia: Tel: +61-28-851-5000

www.gai-tronics.co.uk
www.gai-tronics.com
www.gai-tronics.it
www.gai-tronics.com
www.austdac.com.au

