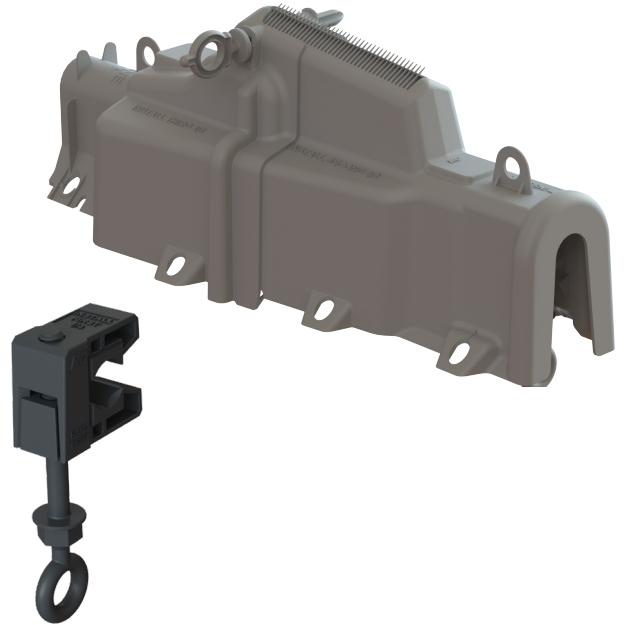


HOTSTICK DEADEND GUARD

Deadend insulators are used extensively throughout power distribution systems. Their close proximity to grounded support structures can present significant wildlife contact risk. The innovative, Reliaguard Hotstick Deadend Guard protects these energized risk points and prevents wildlife caused flashovers and power outages.

FEATURES

- Hotstick Installable
- Top and bottom cable exits
- Fits many common automatic and bolted deadends
- Accommodates conductors up to 1.5" and insulator skirts to 3.8"
- Anti-rotation clamp maintains vertical position
- Wind retention to 90+ mph
- Open bottom design to allow inspection of deadend
- V-0 flammability rating



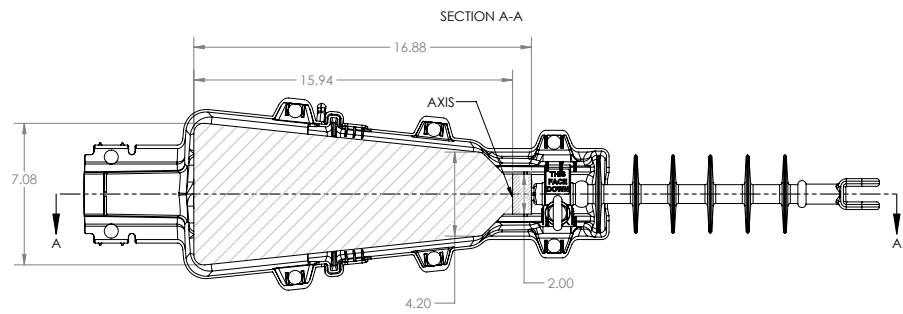
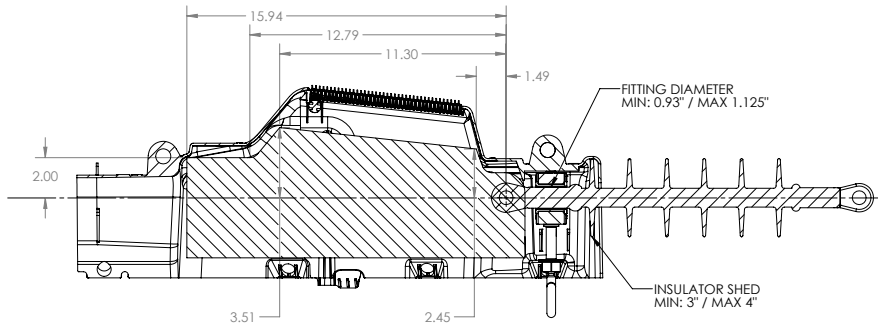
Description	Part Number	Pack Size (MOQ)
HS Deadend Kit (medium)	DE26020K	3
HS Deadend Kit (large)	DE26030K	3

Kits include guard, anti-rotation clamp and retention pin



HOTSTICK DEADEND GUARD

HS DEADEND KIT (MEDIUM) - DE26020K



HS DEADEND KIT (LARGE) - DE26030K

