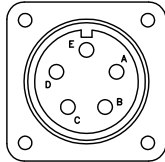


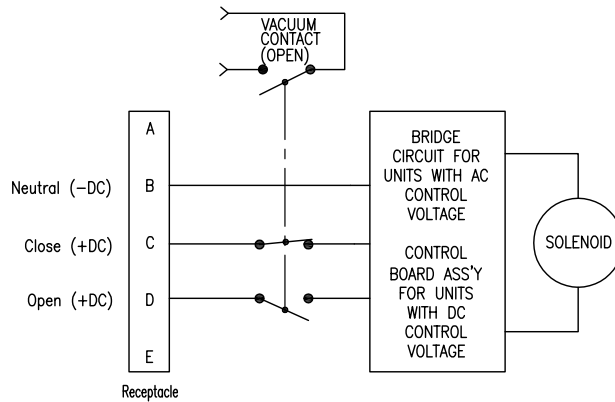
# Wiring Diagrams

Schematic of switch actuator circuits are shown in the following diagrams.

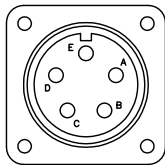
5-PIN CONNECTOR  
MS3102E18-11P  
NO AUXILIARY  
SWITCH OPTION



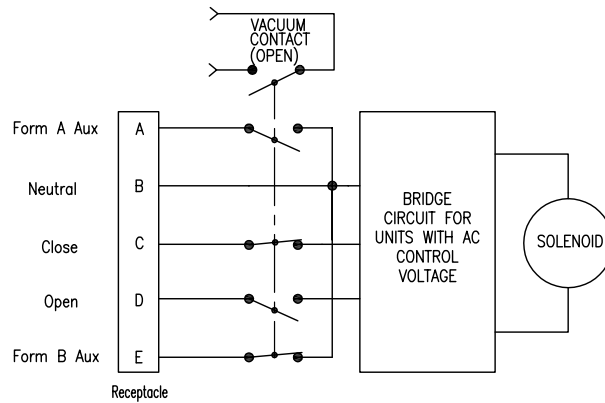
**Option Code: X5**



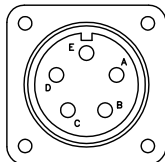
5-PIN CONNECTOR  
MS3102E18-11P  
FORM C AUXILIARY  
SWITCH OPTION  
AUXILIARY COMMON  
AT LINE NEUTRAL  
NOT AVAILABLE ON DC UNITS



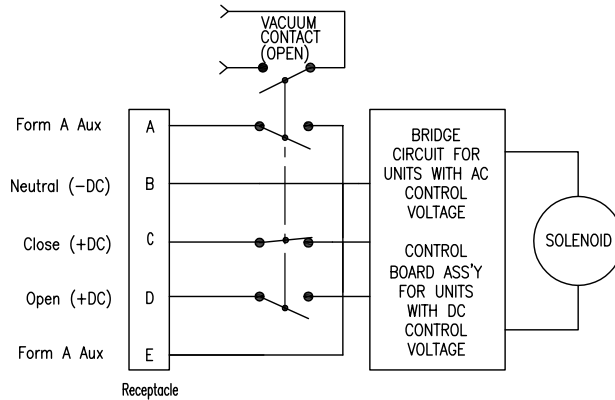
**Option Code: W5**



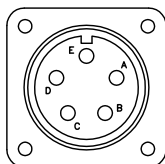
5-PIN CONNECTOR  
MS3102E18-11P  
FORM A AUXILIARY  
SWITCH OPTION



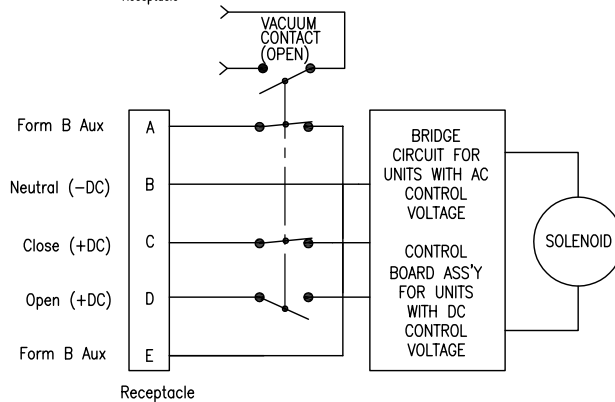
**Option Code: A5**



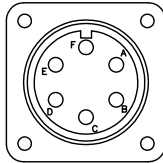
5-PIN CONNECTOR  
MS3102E18-11P  
FORM B AUXILIARY  
SWITCH OPTION



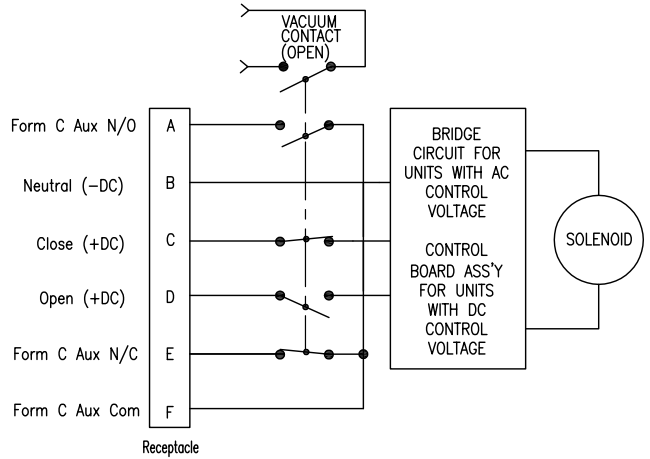
**Option Code: B5**



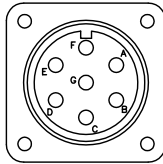
6-PIN CONNECTOR  
MS3102E18-12P  
FORM C AUXILIARY  
SWITCH OPTION  
ISOLATED COMMON



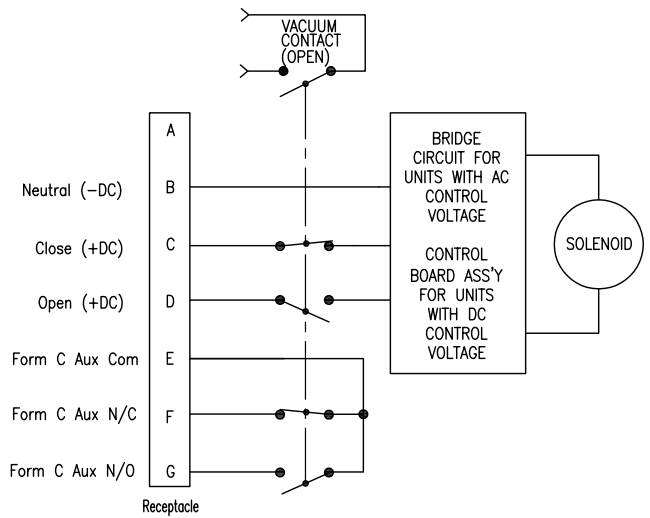
**Option Code: C6**



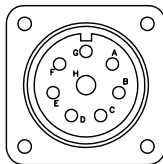
7-PIN CONNECTOR  
MS3102E16S-1P  
FORM A and FORM B  
SHARED COMMON  
AUXILIARY SWITCH OPTION



**Option Code: D7**



8-PIN CONNECTOR  
MS3102E18-8P  
FORM A and FORM B  
AUXILIARY SWITCH OPTION



**Option Code: D8**

