

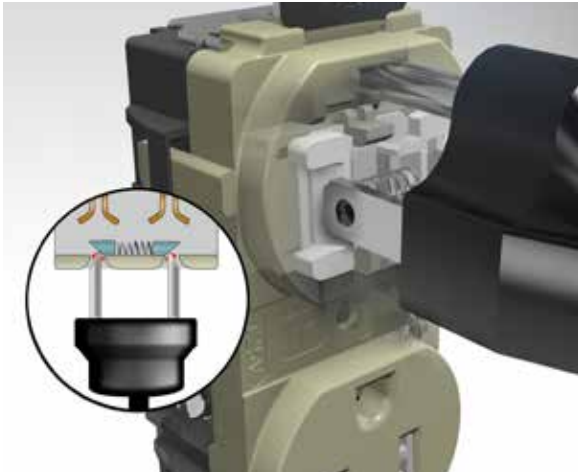
Tamper-Resistant Receptacles



Tamper-Resistant...**NOT** Plug Resistant[®]

Tamper-Resistant...**NOT** Plug Resistant®

Conventional Technology



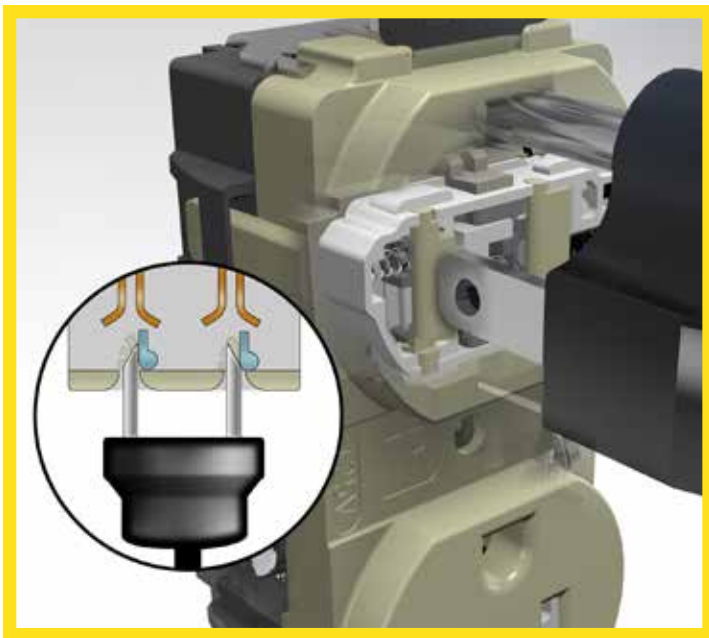
Ramp Mechanism

Most tamper-resistant receptacles use a spring-loaded sliding ramp shutter mechanism in the body of the receptacle.

There are some drawbacks to this type of mechanism. Sharp edges on plug blades could dig into the ramps, making plug insertion difficult. Damaged or weak plugs make the situation worse.

A quick online search will show videos from homeowners and electricians, complaining about TR receptacles.

Hubbell Patented Technology



Patented Cam Action Mechanism

Hubbell heard these customer concerns, driving our product development team to engineer a better way.

The result is our patented cam action mechanism. When a plug is inserted into a Hubbell tamper-resistant receptacle, the cam slides the insulating barrier out of the way. The rotating action eliminates friction, creating a smoother, more reliable insertion, regardless of the plug.

As a result, difficulties due to problematic plugs are minimized.



Scan to see how the Patented Cam Action Mechanism works.

For additional information about Hubbell Tamper-Resistant receptacles, visit us at www.hubbell.com.

The Problematic Plugs

Common household plugs on lamps, small appliances and extension cords often have weak, flexible blades that are easily splayed or bent. These molded-on plugs can also have blades with sharp edges and burrs that catch in conventional TR outlets. Our patented technology resolves this problem.



Tamper-Resistant—Safety Made Easy

The Hubbell Solution

Hubbell's patented Cam Action Technology makes inserting a plug as easy as plugging into a standard receptacle. This design has been incorporated into our Industrial, Hospital, Commercial and Residential receptacles. This broad offering ensures the right quality product for all projects.



2017 National Electrical Code® Change

According to the NFPA®, approximately 2,400 children suffer severe shock and burns from sticking objects into unprotected receptacles.

2017 section 406.12 requires all non-locking 15- and 20-ampere, 125- and 250-volt receptacles in the areas specified in 406.12(1) through (7) shall be listed tamper-resistant receptacles.

- (1) Dwelling units in all areas specified in 210.52 and 550.13
- (2) Guest rooms and guest suites of hotels and motels
- (3) Child care facilities
- (4) Preschools and elementary education facilities
- (5) Business offices, corridors, waiting rooms and the like in clinics, medical and dental offices and outpatient facilities
- (6) Subset of assembly occupancies described in 518.2 to include places of waiting transportation, gymnasiums, skating rinks, and auditoriums
- (7) Dormitories.



Jackson Bradley, Design Engineer, Atlanta, GA

I received the receptacles this morning and am really impressed. I walked around the house plugging many different types of devices and all worked very smoothly.

I have been a design engineer for almost 30 years and know a good design when I see it. You can be proud of this one.

I'll pass some of these along to electricians that I know.

Thanks for your response as well as the receptacles.



Jason C. Stevenson, Electrician

I am a commercial/residential electrician for over 30 years and had varied experience with tamper resistant receptacles from all the major manufacturers.

The tamper resistant mechanism in the current Hubbell product line are the slickest and most trouble free I have experienced.

Tamper-Resistant Receptacles

HBL Extra Heavy Duty



HBL5362ITR

Duplex	Back and side wired	
Color	15A	20A
Black	HBL5262BKTR	HBL5362BKTR
Brown	HBL5262TR	HBL5362TR
Ivory	HBL5262ITR	HBL5362ITR
Light Almond	HBL5262LATR	HBL5362LATR
White	HBL5262WTR	HBL5362WTR

Hubbell-PRO Hospital Grade



8200IVTRA

Duplex	Back and side wired	
Color	15A	20A
Black	8200BKTRA	8300BKTRA
Brown	8200TRA	8300TRA
Ivory	8200IVTRA	8300IVTRA
Light Almond	8200LATRA	8300LATRA
White	8200WTRA	8300WTRA

Decorator	Back and side wired	
Color	15A	20A
Black	2172BKTRA	2182BKTRA
Brown	2172TRA	2182TRA
Ivory	2172IVTRA	2182IVTRA
Light Almond	2172LATRA	2182LATRA
White	2172WTRA	2182WTRA

Commercial Specification Grade



CR15ITR



DR20ITR

Duplex	Side wired only	
Color	15A	20A
Black	CR15BLKTR	CR20BLKTR
Brown	CR15TR	CR20TR
Ivory	CR15ITR	CR20ITR
Light Almond	CR15LATR	CR20LATR
White	CR15WHITR	CR20WHITR

Duplex	Back and side wired	
Color	15A	20A
Black	BR15BLKTR	BR20BLKTR
Brown	BR15TR	BR20TR
Ivory	BR15ITR	BR20ITR
Light Almond	BR15LATR	BR20LATR
White	BR15WHITR	BR20WHITR

Decorator	Back and side wired	
Color	15A	20A
Black	DR15BLKTR	DR20BLKTR
Brown	DR15TR	DR20TR
Ivory	DR15ITR	DR20ITR
Light Almond	DR15LATR	DR20LATR
White	DR15WHITR	DR20WHITR

Residential Tamper- and Weather Resistant



RR15SITR

Duplex	Push and side wired	
Color	15A	20A
Black	RR15SBKTR	RR15SBKWTR
Brown	RR15STR	RR15SWTR
Ivory	RR15SITR	RR15SIWTR
Light Almond	RR15SLATR	RR15SLAWTR
White	RR15SWTR	RR15SWWTR

Decorator	Push and side wired	
Color	15A	20A
Black	RRD15SBKTR	RRD15SBKWTR
Brown	RRD15STR	RRD15SWTR
Ivory	RRD15SITR	RRD15SIWTR
Light Almond	RRD15SLATR	RRD15SLAWTR
White	RRD15SWTR	RRD15SWWTR

Residential Single Tamper-Resistant Only



RRD201LATR

Single	Side wired	
Color	15A	20A
Black	RR151BKTR	RR201BKTR
Brown	RR151TR	RR201TR
Ivory	RR151ITR	RR201ITR
Light Almond	RR151LATR	RR201LATR
White	RR151WTR	RR201WTR

Decorator	Side wired	
Color	15A	20A
Black	RRD151BKTR	RRD201BKTR
Brown	RRD151TR	RRD201TR
Ivory	RRD151ITR	RRD201ITR
Light Almond	RRD151LATR	RRD201LATR
White	RRD151WTR	RRD201WTR

Permanently Marked Receptacles



BR15C1ITR



DR20C2ITR

Duplex	One Controlled Face, Split Circuit	
Color	15A	20A
Black	BR15C1BLKTR	BR20C1BLKTR
Brown	BR15C1TR	BR20C1TR
Ivory	BR15C1ITR	BR20C1ITR
Light Almond	BR15C1LATR	BR20C1LATR
White	BR15C1WHITR	BR20C1WHITR

Duplex	Two Controlled Faces	
Color	15A	20A
Black	BR15C2BLKTR	BR20C2BLKTR
Brown	BR15C2TR	BR20C2TR
Ivory	BR15C2ITR	BR20C2ITR
Light Almond	BR15C2LATR	BR20C2LATR
White	BR15C2WHITR	BR20C2WHITR

Decorator	One Controlled Face, Split Circuit	
Color	15A	20A
Black	DR15C1BLKTR	DR20C1BLKTR
Brown	DR15C1TR	DR20C1TR
Ivory	DR15C1ITR	DR20C1ITR
Light Almond	DR15C1LATR	DR20C1LATR
White	DR15C1WHITR	DR20C1WHITR

Decorator	Two Controlled Faces	
Color	15A	20A
Black	DR15C2BLKTR	DR20C2BLKTR
Brown	DR15C2TR	DR20C2TR
Ivory	DR15C2ITR	DR20C2ITR
Light Almond	DR15C2LATR	DR20C2LATR
White	DR15C2WHITR	DR20C2WHITR

For a complete listing of all Hubbell Tamper-Resistant Receptacles, please see our full-line catalog.