

HUBBELL

Fire-Classified Floor Box Solutions



from the Leader in Delivery Systems



Fire-Classified Floor Box Solutions

Hubbell's fire-classified floor boxes are an excellent solution when there is not enough capacity in a poke through and the decking must be penetrated for electrical installations. Available in seven or eleven gang versions, our fire rated kits are compatible with our standard CFB7G6 and CFB11G6 series floor boxes.

Fire-Classified Floor Box Kits

- Preserves 2 or 3 hour fire classified floor rating
- Approved for installations using either light or normal weight concrete
- UL 514 and UL 263 Compliant
- Variety of ADA compliant cover choices for most floor types
- Four 1½ inch box bottom entry conduits

Fire-Resistant Floor Box Kit Includes

- Floor pan, conduit assemblies, hardware, leveling feet and manual

Floor box ordered separately

Installation

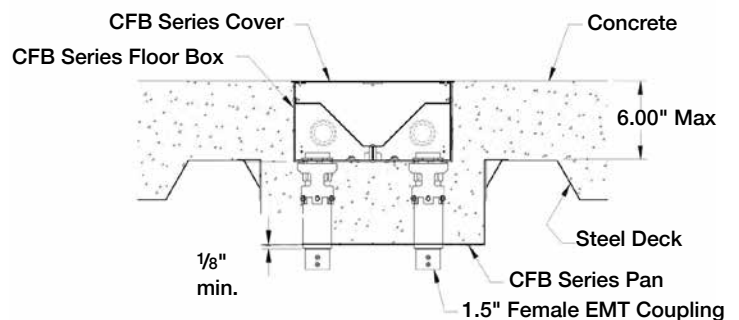
- For Concrete pours from 3¼ in. up to 5½ in. above upper most portion of decking
- Units can be mounted 2 ft. on center
- Fastens to deck with TEK screws or welding



**CFB7G6 Floor Box above
CFB7G6FRK installed in decking**



**CFB11G6 Floor Box above
CFB11G6FRK installed in decking**



CFB7G6/CFB11G6 Series



Fire-Classified Kit for 7-Gang Floor Box

Floor box, cover and mounting plates NOT included

Description		Catalog Number
Bottom Feed conduits	4	CFB7G6FRK
Bottom Feed conduit size	1 1/2 in	
Pan Dimensions (in.)	17 ³ / ₁₆ L x 17 ³ / ₁₆ W x 6 1/2 H	
Minimum depth of pour above deck roof (in.)	3 1/4	
Maximum depth of pour above deck roof (in.)	5 1/2	
Adjustment screw length, four per kit (in.)	6	
Required Floorbox (not included)	CFB7G6	



CFB7G6FRK
Kit with CFB7G6

Fire-Classified Kit for 11-Gang Floor Box

Floor box, cover and mounting plates NOT included

Description		Catalog Number
Bottom Feed conduits	4	CFB11G6FRK
Bottom Feed conduit size	1 1/2 in	
Pan Dimensions (in.)	20 ¹ / ₁₆ L x 17 ³ / ₁₆ W x 6 1/2 H	
Minimum depth of pour above deck roof (in.)	3 1/4	
Maximum depth of pour above deck roof (in.)	5 1/2	
Adjustment screw length, four per kit (in.)	6	
Required Floorbox (not included)	CFB11G6	



CFB11G6FRK
Kit with CFB11G6

7 and 11-Gang Floor Boxes

Description	7-Gang	11-Gang
Box Style	CFB7G6	CFB11G6
Box Height	6.08" (154.3)	6.08" (154.3)
Adjustability	Before Pour	Before Pour

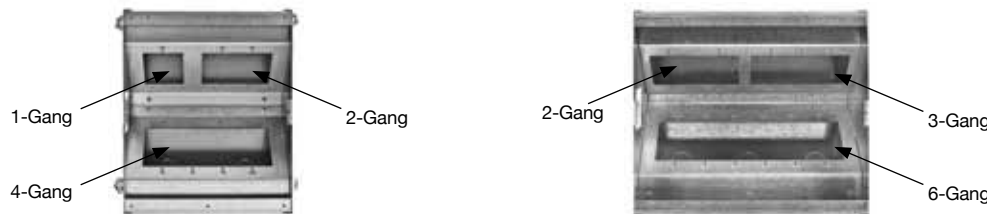
Accepts industry standard size wallplates (sold separately)



CFB7G6



CFB11G6



Covers for 7 and 11-Gang Floor Boxes

	CFB7G Series			CFB11G Series		
	Brass	Black	Aluminum	Brass	Black	Aluminum
	1/4" Edging			1/4" Edging		
Flange and cover; Beveled edge for carpet	CFB7CVRBRS	CFB7CVRBLK	CFB7CVRALU	CFB11CVRBRS	CFB11CVRBLK	CFB11CVRALU
	1/2" Edging			1/4" Edging		
Flange and cover; Square edge for tile	CFB7TBRS	CFB7CVRBLK	CFB7TALU	CFB11TBRS	CFB11CVRBLK	CFB11TALU

Note: Covers provide a recessed area, allowing floor covering to be inserted.

Fire Resistant Floor Box Solutions

Additional Fire-Rated Products



SystemOne 8-Inch Recessed Fire-Rated Poke-Throughs

- Up to 5 Gangs of capacity
- cULus listed, 2 hour fire-Rating
- 8-inch Core hole
- Six plated and powder coat finishes available



SystemOne 6-Inch Recessed Fire-Rated Poke-Throughs

- Up to 3 gangs of capacity
- cULus listed, 2 hour fire-rating
- Six plated and powder coat finishes available



SystemOne 4-Inch Recessed Fire-Rated Poke-Throughs

- Up to 2 gangs of capacity
- cULus listed, 2 hour fire-rating
- Six plated and powder coat finishes available



SystemOne 4-Inch Flush Fire-Rated Poke-Throughs

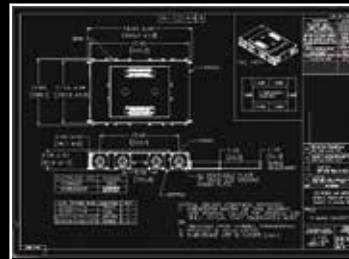
- Up to 2 gangs of capacity
- cULus listed, 4 hour Fire-rating
- Five powder coat finishes available

Online Support



BIM Models

Visit www.hubbell-wiring.com or seek.autodesk.com to download all Hubbell Wiring device BIM Models.



Customer and Technical Drawings

Customer and technical drawings and installation instructions can be downloaded at www.hubbell-wiring.com.



HUBBELL®
Wiring Systems

www.hubbell-wiring.com
www.hubbell-premise.com



Hubbell Wiring Device-Kellems
Hubbell Incorporated (Delaware)
40 Waterview Drive, Shelton, CT 06484
Phone (800) 288-6000 • FAX (800) 255-1031

Hubbell Premise Wiring
Hubbell Incorporated (Delaware)
23 Clara Drive, Suite 103, Mystic, CT 06355
Phone (800) 626-0005 • FAX (860) 535-8328