

HUBBELL Gangable AV Wall Box

- Gangable design allows for design installation and flexibility
- Ideal for delivering power, data and AV side-by-side
- Accepts industry standard wallplates for consistent appearance
- Two inch knockouts
- 4 inch depth accommodates large cables and required bend radii

The **Hubbell Gangable AV Wall Boxes** are the ideal solution for in wall applications requiring AV, data and power. Concentric 1"- 2" knockouts combined with a 4 inch depth facilitate easy installation of AV cables incorporating pre-connectorized heads and bend radii required for high performance Category 6 and 6A cables.

Both the **HBL985** and **HBL986** are designed to be installed independently or ganged together to receive any number of devices, allowing them to accept any standard wallplate. Additionally, there is a ground screw available in each gang so that regardless of what services are brought into the box there is a means of grounding readily available.

The UL listed **HBL989** low voltage partition is common to both boxes and is adjustable to accommodate any number of gangs.



HBL986



HBL985

FEATURES

- 2-gang option (**HBL985**)
- 3-gang option (**HBL986**)
- Knockouts from ½ inch up to 2 inch
- Raised ground provisions in each gang
- Accept low voltage partition (**HBL989**)
- NEMA spaced device mounting accepts industry standard wallplates
- 4 inch deep to accept practically any device
- Built in stud mounting brackets
- Adjustable stud brackets to accommodate different stud and sheetrock thicknesses
- Adjustable far side support

SPECIFICATIONS

- cULus
- Suitable for masonry application



HUBBELL Gangable AV Wall Box

ORDERING INFORMATION

TWO AND THREE GANGABLE AV WALL BOX

Box	Dimensions	Top Knockouts	Bottom Knockouts	Back Knockouts	Catalog Number
2-Gang, 2 in. KO, 54 in. ³ capacity	H: 4.21 in. W: 4.06 in. D: 4.0 in.	(2) ½ in. (2) ½ in. - ¾ in. TKO*	(1) 1 in., 1¼ in., 1½ in. and 2 in.	(2) ½ in. - ¾ in. TKO	HBL985
3-Gang, 2 in. KO, 79 in. ³ capacity	H: 4.21 in. W: 5.87 in. D: 4.0 in.	(3) ½ in. (3) ½ in. - ¾ in. TKO*	(1) ½ in. (1) ½ in. - ¾ in. TKO* (1) 1 in., 1¼ in., 1½ in. and 2 in.	(3) ½ in. - ¾ in. TKO	HBL986

*TKO (Tangential Knockout)



HBL985



HBL986

LOW VOLTAGE PARTITION

Compatible with	Packaging Quantity	Catalog Number
HBL985 and HBL986	1	HBL989



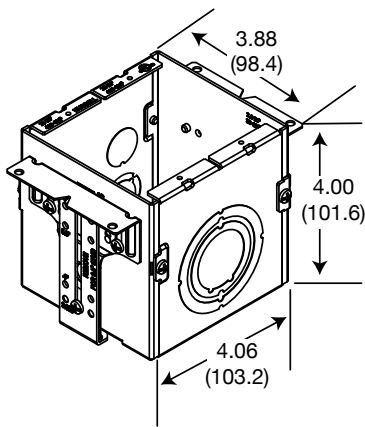
HBL989



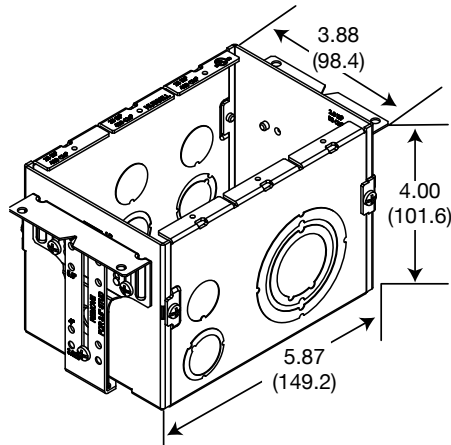
HBL985 and HBL986 with HBL989 Low Voltage Partition



DIMENSIONS Inches (mm)



HBL985



HBL986

