

High Capacity Power & Utility Access

Heavy Cover Load Rating

Hubbell Convention Center Utility Boxes (CCUB) are designed to deliver multiple services in collaborative and dynamic public spaces. The boxes provide isolated services for power, data and utilities such as air and water. Manufactured from galvanized steel and stainless steel, CCUBs are suitable for slab on-grade and above-grade applications.

The CCUBs are available in three styles for power, data, water and air services. All boxes include heavy duty UL514A Scrubwater compliant covers featuring a 32,000 pound load capacity with a 2x safety factor. The recessed handle provides easy service access. Each cover includes two fold-down doors for a total of 24.8 sq.in. of egress space.

Power/data CCUBs do not ship with power panels; they are custom manufactured and pre-wired to your project specifications. Panels support a maximum of 150 amps. Pre-wired options include 100 amp pin and sleeve devices, 20 and 30 amp Twist-Lock®, GFCI, isolated ground and industrial straight blade devices. Optional circuit breaker protection is available to control power at point of use. Two gangs are available for AV/data communication jacks. Power and data panels ship separately for installation after the boxes have been set in concrete.



FEATURES

- Separate enclosures to keep water away from electrical power panel and components
- Air/Water CCUB includes 2 inch drain
- Each box includes 4-inch pre-pour adjustability
- All boxes ship with temporary galvanized steel concrete covers
- All boxes ship with access covers featuring a 32,000 pound load capacity with a 2x safety factor

LISTINGS

- UL listed
- Meets UL514A requirements for Scrubwater compliance

APPLICATIONS

- Convention Centers
- Exhibit Halls
- Hotels & Casinos
- Ballrooms
- Indoor Arenas & Closed Roof Stadiums
- Universities
- Government Facilities
- Auto Dealerships



Ordering Information

Metallic Convention Center Utility Boxes

Convention Center Utility Box with Cover	Painted Galvanized Steel Box	Stainless Steel Box
For power and data	HBLSCCUBPD	HBLSCCUBPDSS
For air/water only	HBLSCCUBW	HBLSCCUBWSS
For power, data and air/water	HBLSCCUBPDW	HBLSCCUBPDWSS

Note: UL File Number E302222. | All boxes provided with temporary galvanized steel concrete covers.



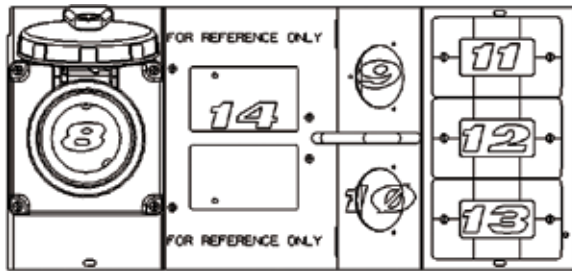
Painted Galvanized Steel Low Voltage Panel

Description	Catalog Number
Data panel, 2-gang, 12 ports	HBLSDPCC



Pre-Wired Power Panels

Convention center power panels are custom built to order and pre-wired at the factory to make installation quick and easy. Please contact the factory to configure a power panel for your specific needs.



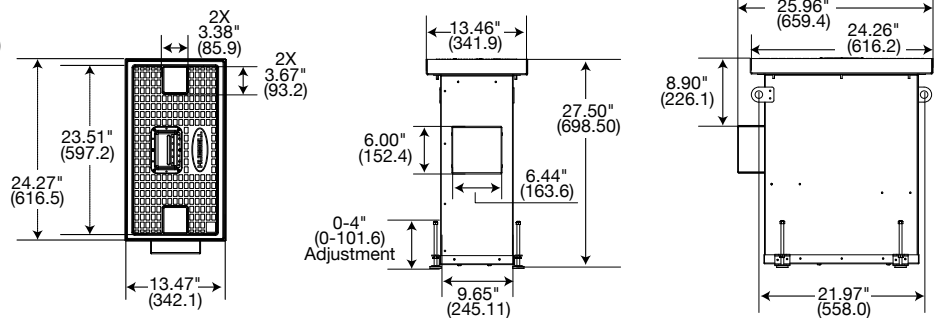
Pre-Wired Power Panels

Position	Device Options**
8	Qty. (1) Pin and Sleeve Receptacle 100A
9 & 10	Qty. (2) Twist-Lock® Receptacles (20A or 30A)
11, 12, 13	Qty. (3) Duplex Receptacles (20A Standard, GFCI or Isolated Ground)
14	Load Center for Circuit Breakers, 8-Pole Positions Max

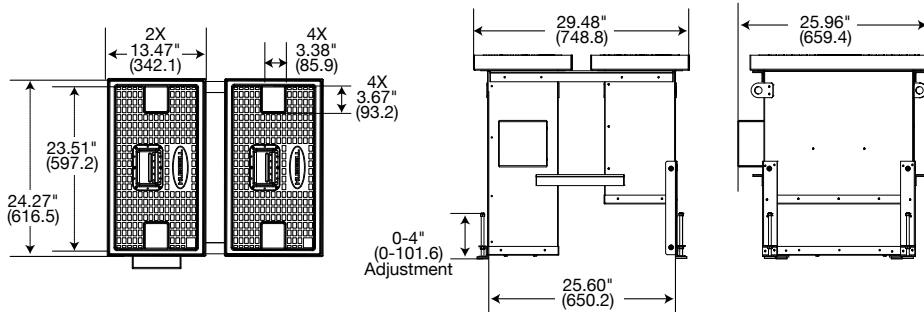
Note: **Contact Hubbell for available configurations of power and data panels.

Painted Galvanized or Stainless Steel Metallic Box

Stand Alone Power/Data
HBLSCCUBPD (Painted Galvanized)
HBLSCCUBPDSS (Stainless Steel)



Combination Power/Data/Water
HBLSCCUBPDW (Painted Galvanized)
HBLSCCUBPDWSS (Stainless Steel)



Stand Alone Water/Air Box
HBLSCCUBW (Painted Galvanized)
HBLSCCUBWSS (Stainless Steel)

