

*Compliant Dimming Control  
for Energy Efficiency Codes  
and Standards*

*Compact & Simple Design*

The Hubbell Low Voltage Wall Switch with 0-10V dimming is the absolute choice for applications where occupancy-based control and low voltage dimming are desired. The compact switch design is ideal for use in private offices, conference rooms, classrooms and multimedia learning centers.

It features a standards-compliant smooth dimming operation that remembers the last state dimming level. The LED pilot light clearly indicates status. Available in auto ON, manual ON and bi-level switching operation modes, the switch meets or exceeds today's energy efficiency codes and standards.

Designed for use with Hubbell control modules and industry-standard 0-10V dimming devices, the compact decorator design makes it compatible with a variety of wall plates for an aesthetically pleasing finish.



- Low voltage switching and dimming in a single unit
- Auto ON, manual ON or bi-level switching control
- Intuitive LED pilot light
- IEC 60929 Annex E.2 compliant 0-10V dimming
- Stylish single gang design



# Low Voltage Wall Switches with 0-10V Dimming

## Low Voltage Wall Switches with 0-10V Dimming

Description	Color	Catalog Number
Manual ON operation mode	Gray	<b>DSM010GY</b>
	Ivory	<b>DSM010I</b>
	Light Almond	<b>DSM010LA</b>
	White	<b>DSM010W</b>
Auto ON operation mode	Gray	<b>DSL010GY</b>
	Ivory	<b>DSL010I</b>
	Light Almond	<b>DSL010LA</b>
	White	<b>DSL010W</b>
Bi-Level Switching Control: 1 Load Auto ON 1 Load Manual ON	Gray	<b>DSC010GY</b>
	Ivory	<b>DSC010I</b>
	Light Almond	<b>DSC010LA</b>
	White	<b>DSC010W</b>



DSM010W



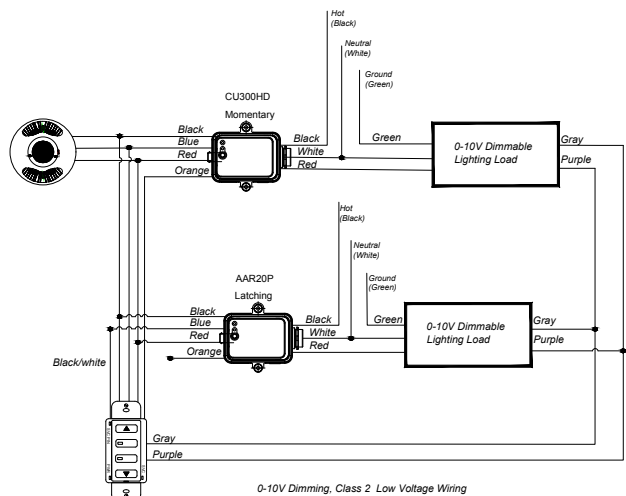
DSL010I



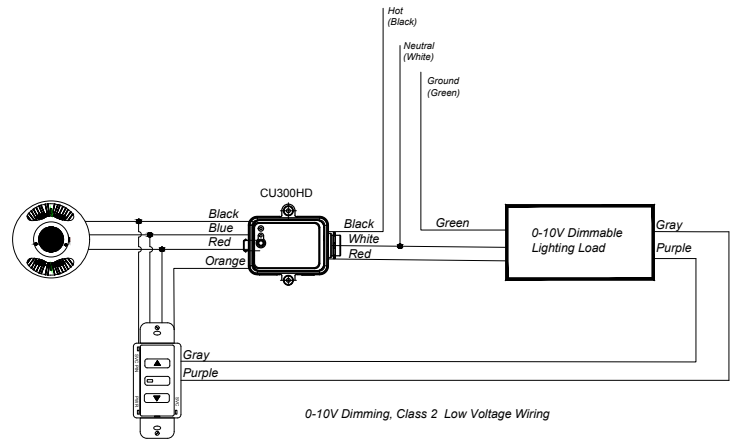
DSC010LA

## Specifications

Electrical Ratings	100mA @ 30VDC Max to interface with Hubbell CU300 Series control units
Configurations	3 & 4 buttons with LED pilot light
Dimming	Current Sinking Capacity: 50mA
Operating Environment	Indoor Use only
Operating Temperature	32 to 122°F (0 to 50°C)
Relative Humidity (non condensing)	10%-90%
Construction	Housing: Rugged, high impact, injection molded plastic, color coded leads
Certifications	cULus
Listings	UL60730-1, CSA E60730-1:15
Warranty	3-year limited



DSC010 Series  
Bi-Level Lighting Control



DSM010 Series  
Vacancy Operation Lighting Control