

*No matter what your need,  
Hubbell will always be inREACH!*

Hubbell's new inREACH™ plenum rated enclosure is the first of its kind, allowing customers to securely mount cord reels in drop ceilings, while isolating it from the plenum space. These enclosures are listed to UL2416, making them compliant with plenum requirements per the NEC.



#### **FEATURES**

- Steel Enclosure, White Powder Coat Surface Finish
- UL 2416 Listed; CAN/CSA C22.2 No 60950-1-07, Compliant with Plenum Requirements Per NEC300.22
- Accepts most Hubbell inREACH Industrial Cord Reels, HBLI4xxxx
- 75 lbs. Load Capacity
- 4 in. Square Electrical Box Included
- Pre-punched Knockout Hole



#### **APPLICATIONS**

##### **Industrial/Commercial**

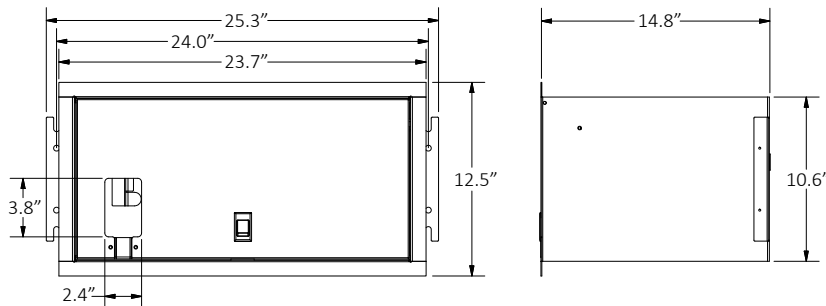
- Schools
- Laboratories
- Industrial Plants
- Offices



# Plenum Rated Enclosure for inREACH™ Cord Reels

## Plenum Rated Enclosure for inREACH™ Cord Reels

Description	Weight lbs. (kg)	Catalog Number
Plenum Rated Enclosure	30 lbs. (13.6)	<b>HBLIPRBOX</b>



## inREACH™ Industrial Cord Reels

Description	Amps	Voltage	Cable Length ft (m)	Cable Type	Weight lbs. (kg)	Catalog Number		
White Industrial Reel without end effectors	10A	250V AC	45 (13.7)	16/3 SJO 16/4 SJO	22.9 (10.4) 23.6 (10.7)	<b>HBLI45163</b> <b>HBLI45164</b>		
	15A	250V AC	45 (13.7)	14/3 SJO 14/4 SJO	24.0 (10.9) 25.4 (11.5)	<b>HBLI45143</b> <b>HBLI45144</b>		
	20A	250V AC	45 (13.7)	12/3 SJO 12/3 SJO 12/3 SJO 12/4 SJO	26.5 (12.0)	<b>HBLI45123</b>		
					26.5 (12.0)	<b>HBLI45123BLK*</b>		
					26.5 (12.0)	<b>HBLIWC45123**</b>		
					29.8 (13.5)	<b>HBLI45124***</b>		
	30A	250V AC	45 (13.7) 40 (12.2)	10/3 SJO 10/4 SJO	32.4 (14.7)	<b>HBLI45103***</b>		
					33.7 (15.3)	<b>HBLI40104***</b>		
	White Industrial Reel	with HBL5269C	15A	125V AC	45 (13.7)	14/3 SJO	24.0 (10.9)	<b>HBLI45143C15</b>
		with HBL5369C with HBL2313	20A	125V AC	45 (13.7)	12/3 SJO	26.5 (12.0) 26.5 (12.0)	<b>HBLI45123C20</b> <b>HBLI45123TL20</b>
	White Industrial Reel with Yellow Portable Outlet Box	(1) 15A Duplex Receptacle (2) 15A Duplex Receptacles	15A	125V AC	45 (13.7)	14/3 SJO	24.0 (10.9) 24.0 (10.9)	<b>HBLI45143R15</b> <b>HBLI45143R215</b>
		GFCI Module and (1) 15A Duplex Receptacle GFCI Module and (2) 15A Duplex Receptacles	15A	125V AC	45 (13.7)	14/3 SJO	24.0 (10.9) 24.0 (10.9)	<b>HBLI45143GF15</b> <b>HBLI45143GF215</b>
White Industrial Reel with Black Portable Outlet Box	(1) 15A Duplex Receptacle (2) 15A Duplex Receptacles	15A	125V AC	45 (13.7)	14/3 SJO	24.0 (10.9) 24.0 (10.9)	<b>HBLI45143R15M1</b> <b>HBLI45143R215M1</b>	
	GFCI Module and (2) 15A Duplex Receptacles	15A	125V AC	45 (13.7)	14/3 SJO	24.0 (10.9)	<b>HBLI45143GF215M1</b>	
White Industrial Reel with Yellow Portable Outlet Box	(1) 20A Duplex Receptacle (2) 20A Duplex Receptacles	20A	125V AC	45 (13.7)	12/3 SJO	26.5 (12.0) 26.5 (12.0)	<b>HBLI45123R20</b> <b>HBLI45123R220</b>	
	GFCI Module and (1) 20A Duplex Receptacle GFCI Module and (2) 20A Duplex Receptacles	20A	125V AC	45 (13.7)	12/3 SJO	26.5 (12.0) 26.5 (12.0)	<b>HBLI45123GF20</b> <b>HBLI45123GF220</b>	
White Industrial Reel with Black Portable Outlet Box	(1) 20A Duplex Receptacle (2) 20A Duplex Receptacles	20A	125V AC	45 (13.7)	12/3 SJO	26.5 (12.0) 26.5 (12.0)	<b>HBLI45123R20M1</b> <b>HBLI45123R220M1</b>	
	GFCI Module and (2) 20A Duplex Receptacles	20A	125V AC	45 (13.7)	12/3 SJO	26.5 (12.0)	<b>HBLI45123GF220M1</b>	



## inREACH™ Industrial Lighted Cord Reels

Description	Amps	Voltage	Watts (Max)	Cable Length ft (m)	Cable Type	Weight lbs. (kg)	Catalog Number	
White Industrial Reel	with LED hand lamp, with end light	0.07A	120V AC	8+1	45 (13.7)	16/3 SJO	22.9 (10.4)	<b>HBLI45163LED</b>
	with fluorescent hand lamp	0.3A	120V AC	13	45 (13.7)	16/3 SJO	22.9 (10.4)	<b>HBLI45163FL</b>
	with incandescent hand lamp	0.8A	125V AC	100	45 (13.7)	16/3 SJO	22.9 (10.4)	<b>HBLI45163IN</b>

15A reels are supplied with HBL5266C on the power supply cord. 20A reels are supplied with HBL5366C on the power supply cord. | For shorter cable lengths, modify length indication in catalog number (i.e. HBLIXX); 35ft & 25ft lengths are available. | For yellow reel, add 'Y' suffix to catalog number. | \*Black cord reel. | \*\*Supplied with white cable. | \*\*\*Not compatible with plenum rated enclosure HBLIPRBOX.

## inREACH™ Mounting Accessories

Description	Weight lbs. (kg)	Catalog Number
Mounting bracket	2.5 (1.1)	<b>HBLIMB</b>
Mounting bracket with junction box mount	3.0 (1.4)	<b>HBLIMBJ</b>
340° pivot base	3.5 (1.6)	<b>HBLI340PB</b>

