

Countertop Receptacles



Because Spills Happen



**Hubbell Countertop Receptacles
are Spill Test Compliant**

Hubbell Countertop Receptacles are the first pop-up receptacles UL listed for countertop applications and permanent installations.

UL 498 Section 146

Built and listed to be water resistant to a half gallon of liquid spilled on the device.

NEC 406.5(E)

Receptacle assemblies for installation in countertop surfaces shall be listed for countertop application.



Countertop Receptacles

Hubbell Pop-Up Receptacles for counter tops provide a power source perfect for kitchen and bath counters and islands. Hubbell is the first to market a counter top receptacle that complies with the UL and NEC 406.5(E). Pop-Up Receptacles are tested and water resistant to a half gallon spill. The receptacles feature Hubbell's patented silicone gaskets and tamper-resistant cam action technology.

Features

- Surface or flush mount options with seven different finishes
- Compact shallow design
- Water and tamper-resistant receptacle
- Easy push down to pop up function is rated for a minimum of 10,000 cycles (OPEN/CLOSE)
- Permanent installation ready (suitable for MC cable or non-metallic sheath cable)



Powder Coated Black

Powder Coated White

Brushed Aluminum

Brushed Brass

Brushed Nickel

Polished Chrome

Matte Bronze



Surface Mount

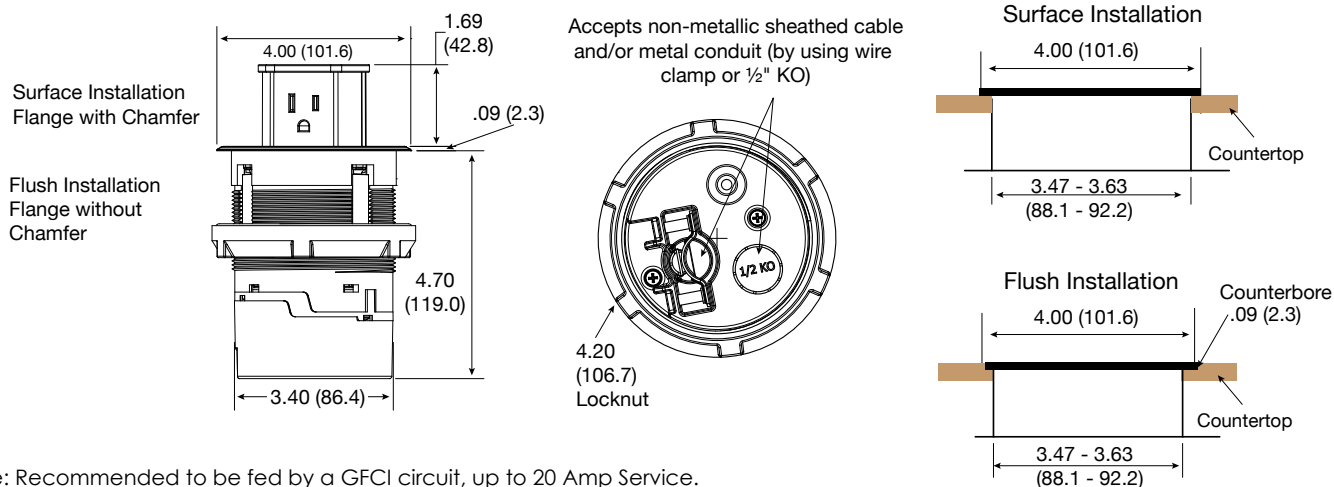


Flush Mount

Ordering Information

Description	Finish	Color/Material	Surface Mount	Flush Mount
15A 125V Tamper-Resistant Pop Up Kitchen Counter Receptacle, Rated for 20A circuits	Powder Coated	Black	RCT200BK	RCT201BK
		White	RCT200W	RCT201W
	Brushed	Aluminum	RCT200ALU	RCT201ALU
		Brass	RCT200BR	RCT201BR
		Nickel	RCT200NI	RCT201NI
	Polished	Chrome	RCT200CH	RCT201CH
	Matte	Bronze	RCT200BZE	RCT201BZE

Dimensions Inches (mm)



Note: Recommended to be fed by a GFCI circuit, up to 20 Amp Service.