

HUBBELL[®]
Wiring Device-Kellems

**Tamper-Resistant
NOT Plug Resistant[®]**



The Industry's Best Tamper-Resistant Receptacle

for Residential Applications



Jackson Bradley, Design Engineer, Atlanta, GA

I received the receptacles this morning and am really impressed. I walked around the house plugging many different types of devices and all worked very smoothly.

I have been a design engineer for almost 30 years and know a good design when I see it. You can be proud of this one.

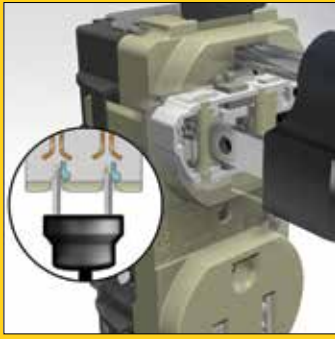
- **Hubbell Patented Technology for a Superior Tamper-Resistant Mechanism**
- **Available In 15 and 20 Amp**
- **Assorted Colors**
- **UL, CSA**

The Hubbell Solution

Hubbell's patented Cam Action Technology makes inserting a plug as easy as plugging into a standard receptacle. This design has been incorporated into our Industrial, Hospital, Commercial and Residential receptacles. This broad offering ensures the right quality product for all projects.



Tamper-Resistant - Safety Made Easy



Patented Cam Action Mechanism

The Hubbell product development team engineered a better way to provide tamper-resistance to our receptacles with our patented cam action mechanism. When a plug is inserted into a Hubbell tamper-resistant receptacle, the cam slides the insulating barrier out of the way. The rotating action eliminates friction, creating a smoother, more reliable insertion. As a result, difficulties due to problematic plugs are minimized.



Scan to see how the Patented Cam Action Mechanism works



RR15SIWRTR



RRD15SwwRTR



RR15SBKTR



RRD15SLATR



RR201TR



RRD201LATR

Tamper-Resistant Residential Grade Duplex Receptacles

Color	Tamper-Resistant, Weather Resistant 15A 125V, Push and side wire		Tamper-Resistant, 15A 125V, Push and side wire	
	Duplex	Decorator	Duplex	Decorator
Black	RR15SBKWRTR	RRD15SBKWRTR	RR15SBKTR	RRD15SBKTR
Brown	RR15SWRTR	RRD15SWRTR	RR15STR	RRD15STR
Gray	RR15SGYWRTR	RRD15SGYWRTR	RR15SITR	RRD15SITR
Ivory	RR15SIWRTR	RRD15SIWRTR	RR15SLATR	RRD15SLATR
Light Almond	RR15SLAWRTR	RRD15SLAWRTR	RR15SWTR	RRD15SWTR
White	RR15SwwRTR	RRD15SwwRTR		

Tamper-Resistant Residential Grade Single Receptacles

Color	Tamper-Resistant Finder Grooves, 15A 125V Side Wire On;y		Tamper-Resistant Decorator Smooth Face, 15A 125V Side Wire On;y	
	15A 125V	20A 125V	15A 125V	20A 125V
Black	RR151BKTR	RR201BKTR	RRD151BKTR	RRD201BKTR
Brown	RR151TR	RR201TR	RRD151TR	RRD201TR
Gray	RR151GYTR	RR201GYTR	RRD151GYTR	RRD201GYTR
Ivory	RR151ITR	RR201ITR	RRD151ITR	RRD201ITR
Light Almond	RR151LATR	RR201LATR	RRD151LATR	RRD201LATR
White	RR151WTR	RR201WTR	RRD151WTR	RRD201WTR

GFCI Receptacles

Also Available in the Hubbell Tamper-Resistant Line

- Standard
- Night Light (with two LED night lights)
- With Alarm
- Blank Face



HUBBELL[®]
Wiring Device-Kellems

www.hubbell-wiring.com

