

864 Ex n model shown
(As standard all industrial 864, 854 & 844 models have stainless steel finish)

Recommended maximum aiming angle 20°
from horizontal plane

The 800 series is a range of stainless steel asymmetrical floodlights. These floods are designed for optimum light output and efficiency to ensure the minimum number of luminaires is required.



The 864 with anti-glare shield



The 864 with wire guard

Standard Specification

Features

Ingress Protection	IP66/67 to EN60529
Enclosure	Marine grade 316S31 stainless steel body (Painted RAL-9005 semi gloss smooth textured - 864 version only) with toughened glass window, silicone rubber gasket
Entries	2 x M20 cable entries
Termination	3 core 4mm ² max conductors
Reflector	Wide beam high purity anodised aluminium
Mounting	Adjustable stirrup bracket
Windage	0.052m ² (844), 0.090m ² (854), 0.22m ² (864)
Control Gear	Internal (with remote option using control gear box)
Relamping	Via front cover (c/w safety chains) and quick release clips
Electrical Supply	220, 230, 240, 254V 50Hz for SON-T & MBI-T lamp models. 250V Max ac/dc for tungsten halogen lamps

Marine grade stainless steel body and toughened glass cover

Quick release fasteners for ease of relamping and maintenance

Suspended cover front

photometrically superior asymmetric reflector

Suitable for low temperature applications

Standard control gear for use with IEC lamps

Std. Cat No.	Wattage	Lamp Type	Lampholder	Ambient °C	Weight
844I/070/MS	70W	HPS/Metal Halide	E27	-30 to +50	12.0kg
854I/100/HS	100W	HPS	E40	-30 to +55	18.0kg
854I/150/MS	150W	HPS/Metal Halide	E40	-30 to +55	18.0kg
854I/250/MS	250W	HPS/Metal Halide	E40	-30 to +40	19.0kg
854I/400/MS*	400W	HPS/Metal Halide	E40	-30 to +40	17.0kg
864I/400/MS	400W	HPS/Metal Halide	E40	-30 to +45	21.0kg
854I/500/TH	500W	Single ended T/Halogen	E40	-45 to +45	16.5kg
864I/600/HS*	600W	HPS	E40	-30 to +45	21.0kg

100/120V Cat Nos. The following models are for 120V, 50Hz as standard:

864I/150/HS/120**	150W	HPS	E40	-30 to +55	18.0kg
864I/250/HS/120**	250w	HPS	E40	-30 to +55	19.0kg
864I/400/HS/120***	400W	HPS	E40	-30 to +55	17.0kg

* Ignitor only fitted within floodlight.

Remote gear box required (see Universal Box)

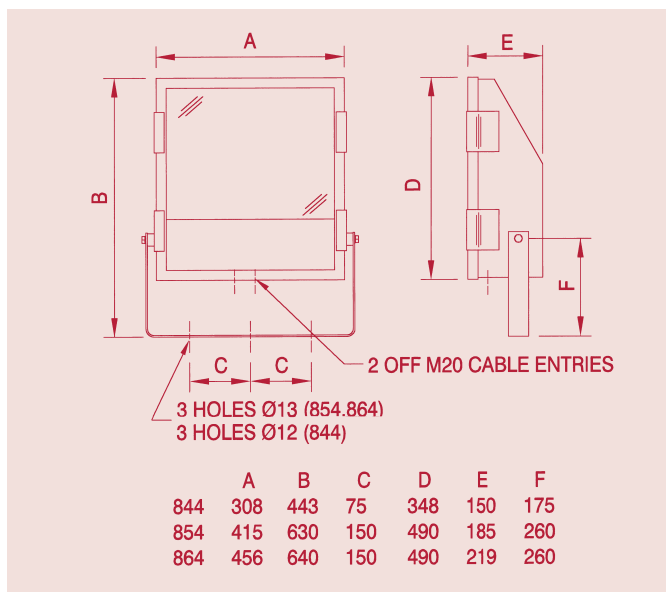
** c/w IEC control gear 110/120V supply.

*** Supplied with remote transformer box for 110/120V supply.
(Control gear fitted for IEC lamps).

All control gear fitted for use with European lamps (IEC).

Note: Please specify voltage at time of enquiry/order

Options – Suffix to Catalogue No.	
/60	60Hz
/M25	2 x M25 cable entries
/N	Narrow beam reflector
/WA	Suitable for wire guard or anti-glare shield
/NEC	NEC control gear (for US lamps only) (120, 208, 240 and 277V)



Accessories Should be ordered separately

Catalogue Order Code

Pole mounting bracket assembly - 844 (50-100mm diameter poles)	S8444-0002
Pole mounting bracket assembly - 854/864 (48-70mm diameter poles)	S2400-0002
Spigot top mounting bracket assembly - 854/864 (70-82mm diameter poles)	S2400-0007
Wire guard - 844 (requires "WA" suffix when ordering)	S8444-0005
Wire guard - 854 (requires "WA" suffix when ordering)	S8544-0004
Wire guard - 864 (requires "WA" suffix when ordering)	S8644-0004
Anti-glare shield - 844 (requires "WA" suffix when ordering)	S8444-0001
Anti-glare shield - 854 (requires "WA" suffix when ordering)	S8544-0002
Anti-glare shield - 864 (requires "WA" suffix when ordering)	S8644-0002

Product design and specifications are subject to change without notice, please check the Chalmit® website for latest specifications.

