

ECLIPSE II LED



The **Eclipse II** LED has been designed to make installation quick and simple. The lamp and gear chambers are separated for easy maintenance and require no special cable glands.

The luminaire also features a swing barrel nut system. This allows prior installation and wiring of the mounting base without the need to support the body and lamps. This unique design saves on both time and labour costs.

Mounting Options

- Floodlight
- Pendant
- Pole/Column
- Medium Bay
- Low Bay

International Approvals



Standard Specification

Eclipse II LED Highbay

Enclosure	Painted aluminium body with glass globe
Entry	Up to 4 x M20 cable entries
Termination	3 core 6mm ² max. conductor with looping
Installation	Surface mounted
Control Gear	Electronic Driver
Colour Temperature (CCT)	5000K (Cool White)
Maintenance	Barrel nut fastener
Ingress Protection	IP66
Surge Protection	4kV line to line, 6kV line to earth
Electrical Supply	120-254V AC 50/60Hz

LED SOLUTIONS

For Harsh & Hazardous Locations



Features

- ◆ Instant on crisp white light output
- ◆ Highly **Energy Efficient**
- ◆ **120,000** maintenance free hours at 25°C
- ◆ **Lower power consumption** than HID lamps
- ◆ **Low temperature applications to -40°C**

Product design and specifications are subject to change without notice. Please check the Chalmite website for latest specifications.
www.chalmite.com



MADE IN BRITAIN

Std. Cat No.	Delivered Output	Power Consumption	Ambient °C	Weight
EC2I/06L/LE	5842 lm	55W	-40 to +55	11.5kg
EC2I/09L/LE	8525 lm	80W	-40 to +55	12.0kg
EC2I/12L/LE*	12220 lm	100W	-40 to +55	12.0kg
EC2I/16L/LE	15630 lm	140W	-40 to +40	12.0kg

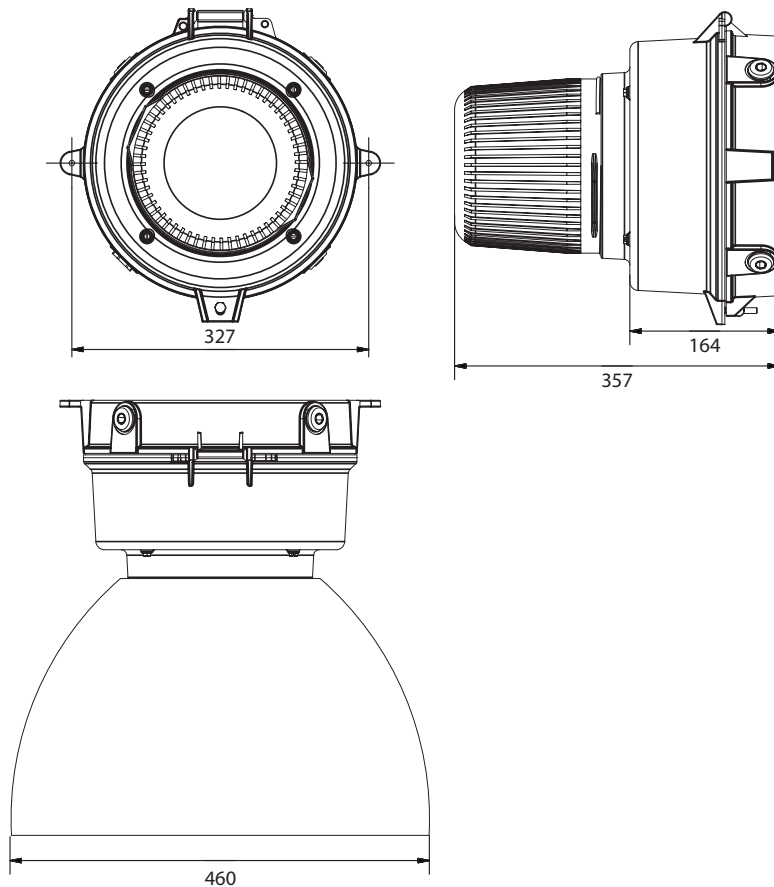
Options - Suffix to Catalogue No.

/M25	M25 Cable entries	/SRG	Surge protection (20kA and 10kV)*
/WM	Wall mounted version	/ST	Stanchion mounted version
/PE	Pendant mounted version	/ER	Sealed spun reflector

* When using additional surge protection with EC2I/12L/LE please note that the maximum ambient reduces to +40°C.

Accessories *Accessories should be ordered separately*

	Order Code
Wire guard for low wattage glass globe	E0850-0042
Wire guard for enclosed reflector	E0850-0043
Dome reflector	SEC20-0001
30° angled reflector	SEC20-0002



LED SOLUTIONS

For Harsh & Hazardous Locations



Harsh & Hazardous