

ZONE 1 ZONE 21

HDL106NE



The **HDL106NE** is a distinctive Emergency luminaire allowing up to six modules interlinked, providing an effective and efficient replacement for conventional high power HID floodlights.

With integral battery backup, allowing for either 90 minutes or 3 hours battery duration, and a variety of beam options available, this is a flexible solution for any Emergency or Escape application.

Mounting Options

- Floodlight
- Pendant
- High Bay
- Pole/Column
- Streetlighting
- Bulkhead

International Approvals



Standard Specification

HDL106NE Ex e LED Floodlight

Type of Protection	Ex e mb (Increased Safety, Encapsulation) Ex t (Dust Protected Enclosure)
ATEX Classification	Group II Category 2 GD
Area Classification	Zone 1 and Zone 21 areas to EN 60079-10-1 and EN 60079-10-2 with installation to EN 60079-14
Certificate	EC Type Examination Certificate Sira 09ATEX5159X IECEX Certificate of Conformity IECEX SIR 09.0064X
Coding	Ex e mb IIC T4 Gb Ex tb IIIC T103°C Db Ta = -20°C to +50°C
Enclosure	Aluminium Alloy with epoxy powder finish
Entry	2 x M20 cable entries
Termination	3 core 4mm ² max. conductor with looping
Installation	Stirrup mounting bracket
Control Gear	Electronic Driver
Colour Temperature (CCT)	Refer to Ordering Matrix
Maintenance	M8 Hex Head and M6 SKT Head
Emergency Duration	90mins (100%) or 3hrs (50%)
Ingress Protection	IP66/67
Surge Protection	4kV line to line, 6kV line to earth
Electrical Supply	100-254V AC 50/60Hz

Features

- ◆ Instant on crisp white light output
- ◆ Highly **Energy Efficient**
- ◆ **80,000** maintenance free hours at 25°C
- ◆ **Lower power consumption** than HID lamps
- ◆ **Modular design** allowing up to six interlinked luminaires, each providing a delivered output > 5000lm
- ◆ **Lightweight** (9kg per module) Emergency lighting solution

HADAR LIGHTING

Chalmit

LED SOLUTIONS

For Harsh & Hazardous Locations



www.chalmit.com



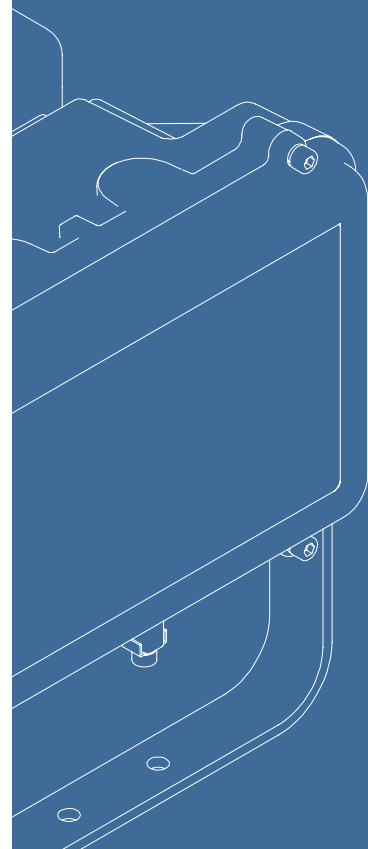
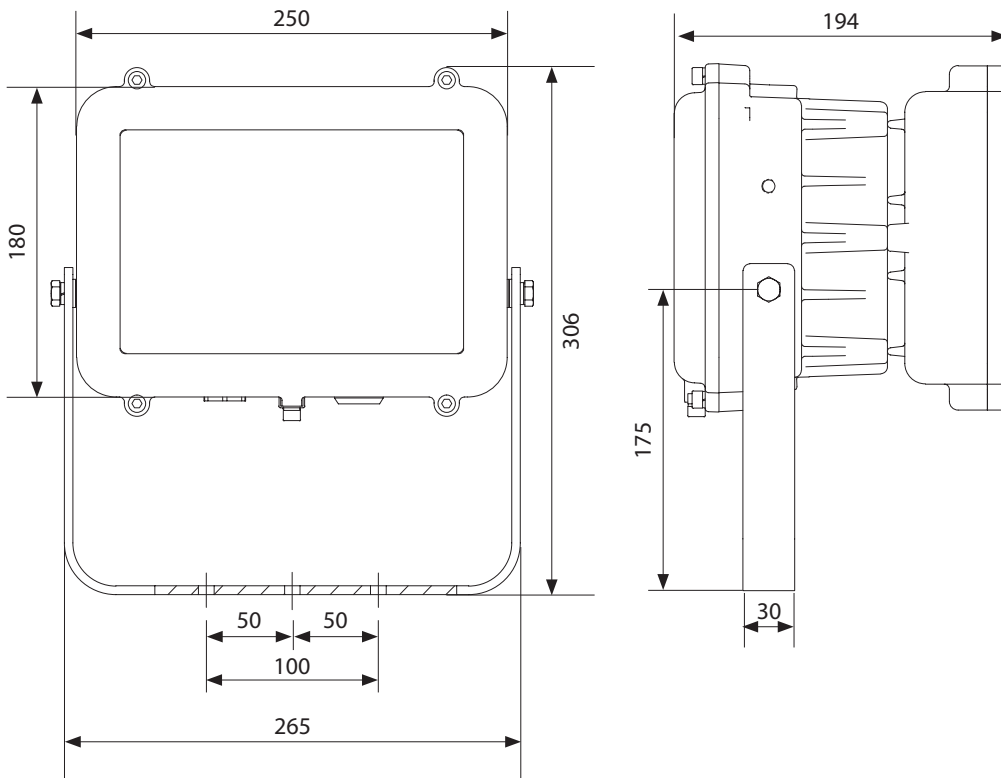
Harsh & Hazardous

Product design and specifications are subject to change without notice. Please check the Chalmit website for latest specifications. www.chalmit.com



MADE IN BRITAIN

HDL 106N				
Version	Beam Pattern	Light	Cable Entries	Other Options
E – EM (48 LEDs)	N – Narrow	W – Cool White	0 – M20	04 – RAL 7035 (Grey)
ES – EM/Std (96 LEDs)	M – Medium	X – Warm White	5 – M25	
SES – Std/EM/Std (144 LEDs)	W – Wide			
	X – Extra Wide			
Typical ordering reference:				HDL106NESWX004



HADAR LIGHTING



LED SOLUTIONS

For Harsh & Hazardous Locations



Harsh & Hazardous