

Modular LED Luminaire

Zone 1 Ex emb LED Modular Floodlight / Bulkhead Luminaire

NEW!

In Comparison with HDL106S

- 15% less power consumption
- Overall lumen output increased by 66%
- Lumens per watt increased by 75%
- 105 LM/W compared to 60LM/W

Specification:

Main Body:

Marine Grade Aluminium

Lens:

Polycarbonate

Gaskets:

Silicone

External Fasteners:

A4 Stainless Steel

Stirrup Bracket:

316 Stainless Steel

T Rating:

T4 / T3

Weight:

6.0kg per module



Key Features:

- Modular construction allows the modules to be supplied interlinked with each other to provide greater light output.
- Can be used as a single unit – small floodlight or bulkhead or linked together to replicate a large 250W/400W floodlight.
- Each module utilises 48 off 1W LED's
- Integrated power supply.
- Low power consumption.
- Rugged construction – resistant to vibration.
- Independently photometrically tested.
- All units supplied with 2 cable entries. Additional entries available on request.
- IP66 and IP67.
- Optional wire guard available for extra protection.
- Infra red variants available (for use with security cameras).
- Narrow, Medium, Wide beam light output available.
- Multiple mounting options available.
- Emergency version available - see data sheet HDL106NE.

In comparison to typical Ex d floodlights:

- 60% less weight.
- Up to 80% less power consumption.
- One man installation.
- LED technology will give a predicted lamp life of 10 years+.
- No light pollution.
- Instant start and restrike.
- No light degradation at low temperatures.
- Penetrating white light.
- No flamepaths to maintain.
- Low cost of installation, operation and maintenance.

In comparison with HDL 106S

- 15% less power consumption
- Overall lumen output increased by up to 66%
- Lumens per watt increased by 75%
- 105 LM/W compared to 60 LM/W
- Low Voltage option available

Engineering Solutions
Design to Manufacture

HADAR
LIGHTING

Hadar Lighting, Jubilee Industrial Estate, Ashington T: +44 (0) 1670 814 877
Northumberland, NE63 8UG United Kingdom F: +44 (0) 1670 858 638

enquiries@hadar-lighting.com

www.hadar-lighting.com

Protection:

Ex II 2 G D Ex emb IIC T4/T3 Gb, Ex t IIIC T103°C Db IP66/67

Certification: ATEX, IECEx & ABS certified.

	Certification Ex	Ambient	Voltage Range	Certificate
HDL 106NH	II 2 G D Ex emb IIC T4 Gb, Ex t IIIC T103°C Db IP66/67	-20°C to +50°C	100V to 254V AC input	IECEX SIR 09.0064X SIRA 09ATEX5159X
HDL 106NL	II 2 G D Ex emb IIC T3 Gb, Ex t IIIC T103°C Db IP66/67	-20°C to +65°C		
	II 2 G D Ex emb IIC T4 Gb, Ex t IIIC T103°C Db IP66/67	-20°C to +55°C	18-54V AC/DC	

Electrical Specifications:

Electrical Specification			
Lamp Options	Power consumption	Power factor	Available power supplies
24 x 1W LED's	24W Max	0.95	100V – 254V 47/63Hz AC only 18-54V AC/DC
48 x 1W LED's	48W Max		
96 x 1W LED's	96W Max		
144 x 1W LED's	144W Max		

Installation:

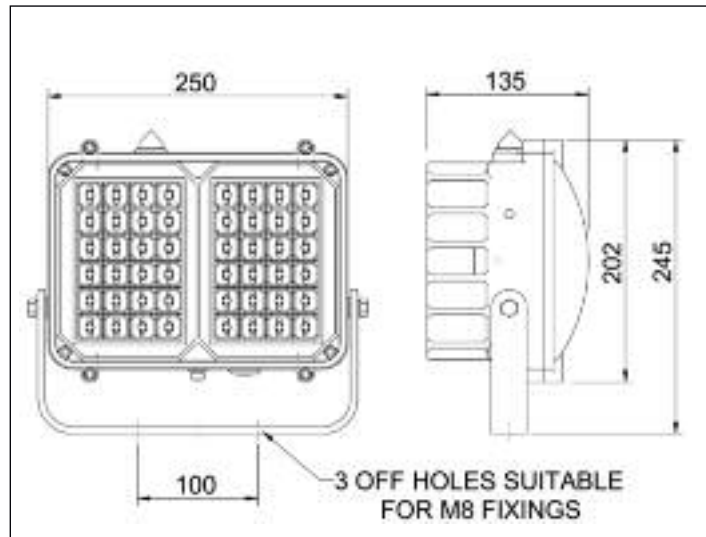
Terminals: Up to 4mm² terminals for live, neutral, earth and looping are provided. Internal and external earth as standard.
 Cable Entries: 2 x M20, one fitted with approved stopper plug, other entries available on request.
 Suspension: Via stirrup bracket, other mounting accessories available. Stainless steel eyebolt for safety chain included as standard.
 Installation: Installation document supplied. New part number to be supplied AL11430.

Ordering Matrix:

Field	Options
Product	HDL106N
Version (LEDs)	0 – 24 LEDs 1 – 48 LEDs 2 – 96 LEDs 3 – 144 LEDs
Voltage	H – 100 - 254V AC only L – 18 - 54V AC/DC
Beam Pattern	N – Narrow M – Medium W – Wide X – Extra Wide
Mount*	H – Horizontal mount (single module version only) V – Vertical mount (twin/triple module version only) C – Ceiling mount
Light	W – Cool White light X – Warm White light Other colours available on request
Cable Entries	0 – M20 5 – M25
Other Options	04 – Colour RAL 7035 (Grey)

*Mount refers to positioning of module on stirrup bracket, please refer to the photographs below.

Dimensions:



Weight:
 48 LED Luminaire: 9kg
 96 LED Luminaire: 15-18kg
 144 LED Luminaire: 21-27kg

Notes:

- 1) Typical ordering reference HDL106NIHMHW004
- 2) Photometric Data available from the website or contact sales office.



Data is correct at time of print, but is subject to change due to continual product improvement.
 Zone 2 and Industrial versions available, please refer to the website or contact sales office for further details.