

ZONE 1 ZONE 21

# HDL106N



The **HDL106N** is an outstanding luminaire allowing up to six modules interlinked, providing an effective and efficient replacement for conventional high power HID floodlights, up to 400W.

With multiple beam options available, and a wide ambient range, this is a truly universal solution for all Zone 1 applications.

## Mounting Options

- Floodlight
- Pendant
- High Bay
- Pole/Column
- Streetlighting
- Bulkhead

International Approvals



## Standard Specification

HDL106N Ex e LED Floodlight

Type of Protection	Ex e mb (Increased Safety, Encapsulation) Ex t (Dust Protected Enclosure)
ATEX Classification	Group II Category 2 GD
Area Classification	Zone 1 and Zone 21 areas to EN 60079-10-1 and EN 60079-10-2 with installation to EN 60079-14
Certificate	EC Type Examination Certificate Sira 09ATEX5159X IECEX Certificate of Conformity IECEX SIR 09.0064X
Coding	Ex e mb IIC T4/T3 Gb Ex tb IIIC T103°C Db Ta = -20°C to +50°C/+59.5°C
Enclosure	Aluminium Alloy with epoxy powder finish
Entry	2 x M20 cable entries
Termination	3 core 4mm <sup>2</sup> max. conductor with looping
Installation	Stirrup mounting bracket
Control Gear	Electronic Driver
Colour Temperature (CCT)	Refer to Ordering Matrix
Maintenance	M8 Hex Head and M6 SKT Head
Ingress Protection	IP66/67
Surge Protection	4kV line to line, 6kV line to earth
Electrical Supply	Refer to Ordering Matrix

## Features

- ◆ Instant on crisp white light output
- ◆ Highly **Energy Efficient**
- ◆ **80,000 maintenance free hours at 25°C**
- ◆ **Lower power consumption** than HID lamps
- ◆ **Modular design** allowing up to six interlinked luminaires, each providing a delivered output > 5000lm
- ◆ **Lightweight** (6kg per module) lighting solution

HADAR LIGHTING

Chalmit

LED SOLUTIONS

For Harsh & Hazardous Locations



www.chalmit.com



Harsh & Hazardous

# HDL 106N Ex e LED FLOODLIGHT

ZONE 1 ZONE 21

Product design and specifications are subject to change without notice. Please check the Chalmit website for latest specifications.  
www.chalmit.com

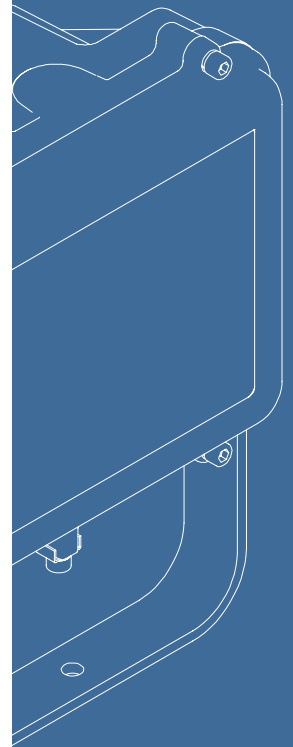
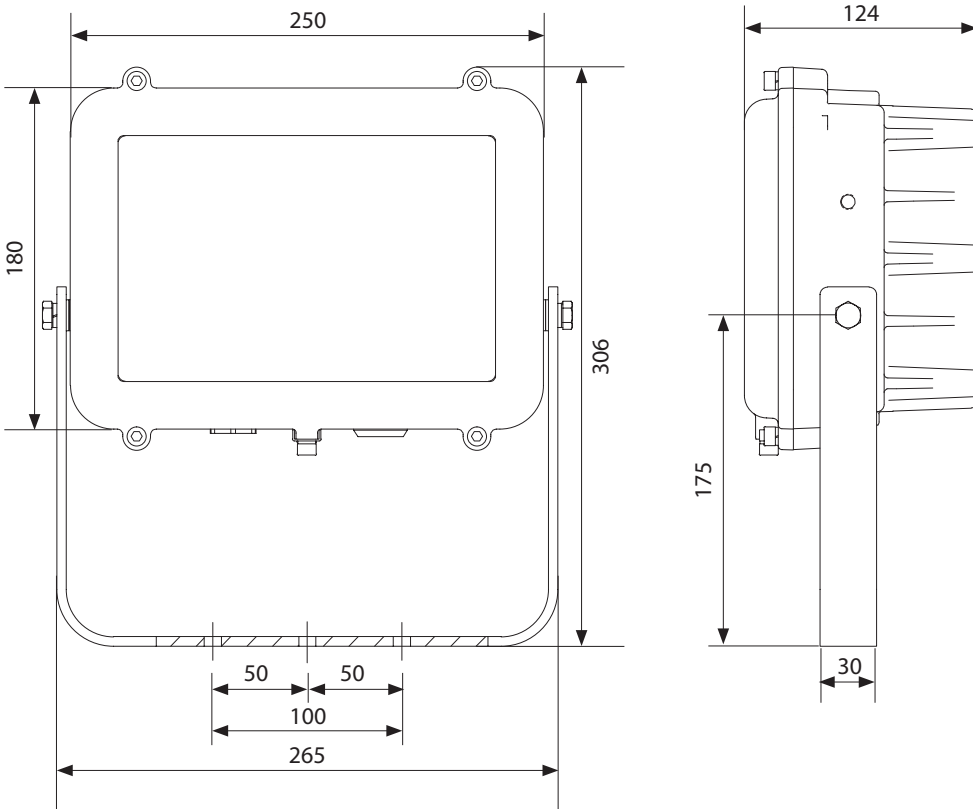


MADE IN BRITAIN

HDL 106N						
Version	Voltage	Beam Pattern	Mount	Light	Cable Entries	Other Options
<ul style="list-style-type: none"> <li>0 – 24 LEDs</li> <li>1 – 48 LEDs</li> <li>2 – 96 LEDs</li> <li>3 – 144 LEDs</li> </ul>	<ul style="list-style-type: none"> <li>H – 100-254V AC</li> <li>L – 18-54V AC/DC*</li> </ul>	<ul style="list-style-type: none"> <li>N – Narrow</li> <li>M – Medium</li> <li>W – Wide</li> <li>X – Extra Wide</li> </ul>	<ul style="list-style-type: none"> <li>H – Horizontal Mount [single unit]</li> <li>V – Vertical Mount [twin/triple unit]</li> <li>C – Ceiling Mount</li> </ul>	<ul style="list-style-type: none"> <li>W – Cool White</li> <li>X – Warm White</li> </ul>	<ul style="list-style-type: none"> <li>0 – M20</li> <li>5 – M25</li> </ul>	<ul style="list-style-type: none"> <li>04 – RAL 7035 (Grey)</li> </ul>

\*Upper ambient becomes +55°C

Typical ordering reference: HDL106N1HW004



HADAR LIGHTING



LED SOLUTIONS

For Harsh & Hazardous Locations



Harsh & Hazardous